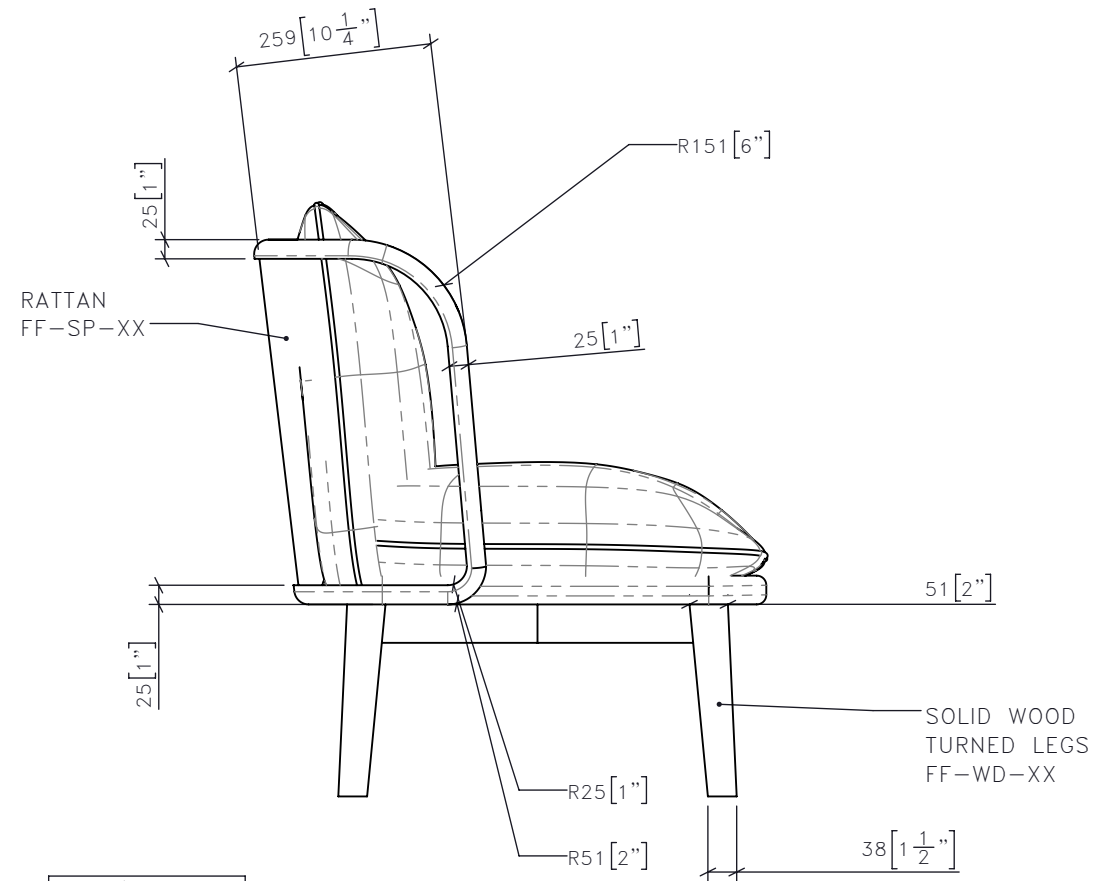
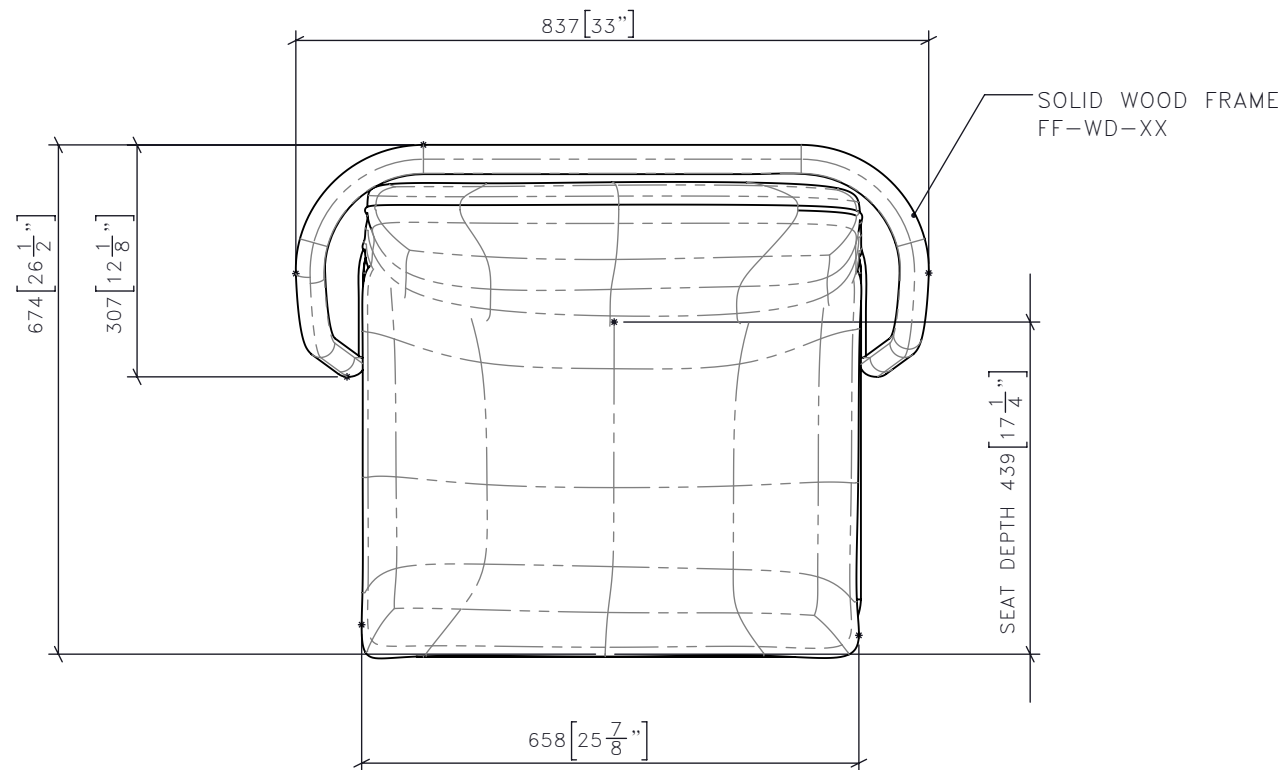


1 CG-XX REST CHAIR FRONT ELEVATION
1:10

ADD LOW PROFILE LEVELLING FEET AS REQUIRED



3 CG-XX REST CHAIR SIDE ELEVATION
1:10



2 CG-XX REST CHAIR PLAN
1:10

-REV/	-ISSUED FOR	-DATE

STUDIO MUNGE
25 WINGOLD AVENUE
TORONTO, ONTARIO
M6B 1P8 CANADA
416.588.1668
STUDIOMUNGE.COM

-SCALE AS NOTED
-DATE 1/8/18

-DRAWN BY RC
-CHECKED BY

-PROJECT NAME

STUDIO MUNGE FURNITURE COLLECTION

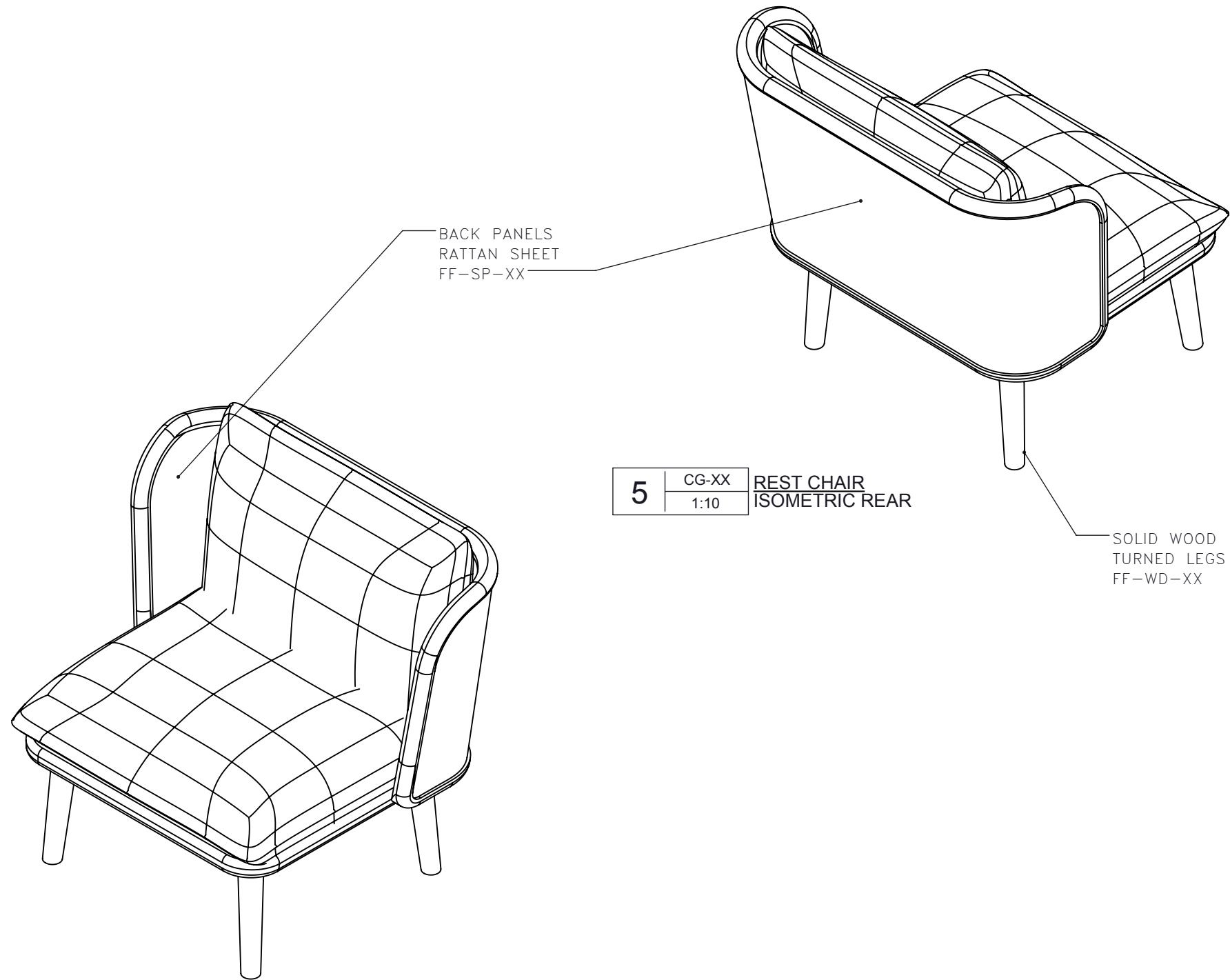
-DRAWING TITLE

CG-XX REST CHAIR

-PROJECT NUMBER XXXXXX

-DRAWING NUMBER 1 / 3

-REV/	-ISSUED FOR	-DATE



4 | CG-XX | REST CHAIR
1:10 | ISOMETRIC FRONT

5 | CG-XX | REST CHAIR
1:10 | ISOMETRIC REAR

STUDIO MUNGE
 25 WINGOLD AVENUE
 TORONTO, ONTARIO
 M6B 1P8 CANADA
 416.588.1668
 STUDIOMUNGE.COM

-SCALE	-DATE
AS NOTED	1/8/18
-DRAWN BY	-CHECKED BY
AM	
-PROJECT NAME	
STUDIO MUNGE FURNITURE COLLECTION	
-DRAWING TITLE	
CG-XX REST CHAIR	
-PROJECT NUMBER	XXXXXX
-DRAWING NUMBER	2 / 3

STUDIO MUNGE
E
F
D
C
B
A
Y

FOR DESIGN INTENT ONLY

DRAWING ARE NOT TO BE SCALED. CONTRACTOR MUST CHECK AND VERIFY ALL JOB DIMENSIONS, DRAWINGS, DETAILS AND SPECIFICATIONS; AND REPORT ANY DISCREPANCIES TO DESIGNER BEFORE PROCEEDING WITH WORK.

-REV/	-ISSUED FOR	-DATE



STUDIO MUNGE
25 WINGOLD AVENUE
TORONTO, ONTARIO
M6B 1P8 CANADA
416.588.1668
STUDIOMUNGE.COM

-SCALE
AS NOTED

-DATE
1/8/18

-DRAWN BY
AM

-CHECKED BY

-PROJECT NAME

STUDIO MUNGE FURNITURE COLLECTION

-DRAWING TITLE

CG-XX
REST CHAIR

-PROJECT NUMBER
XXXXXX

-DRAWING NUMBER
3 / 3