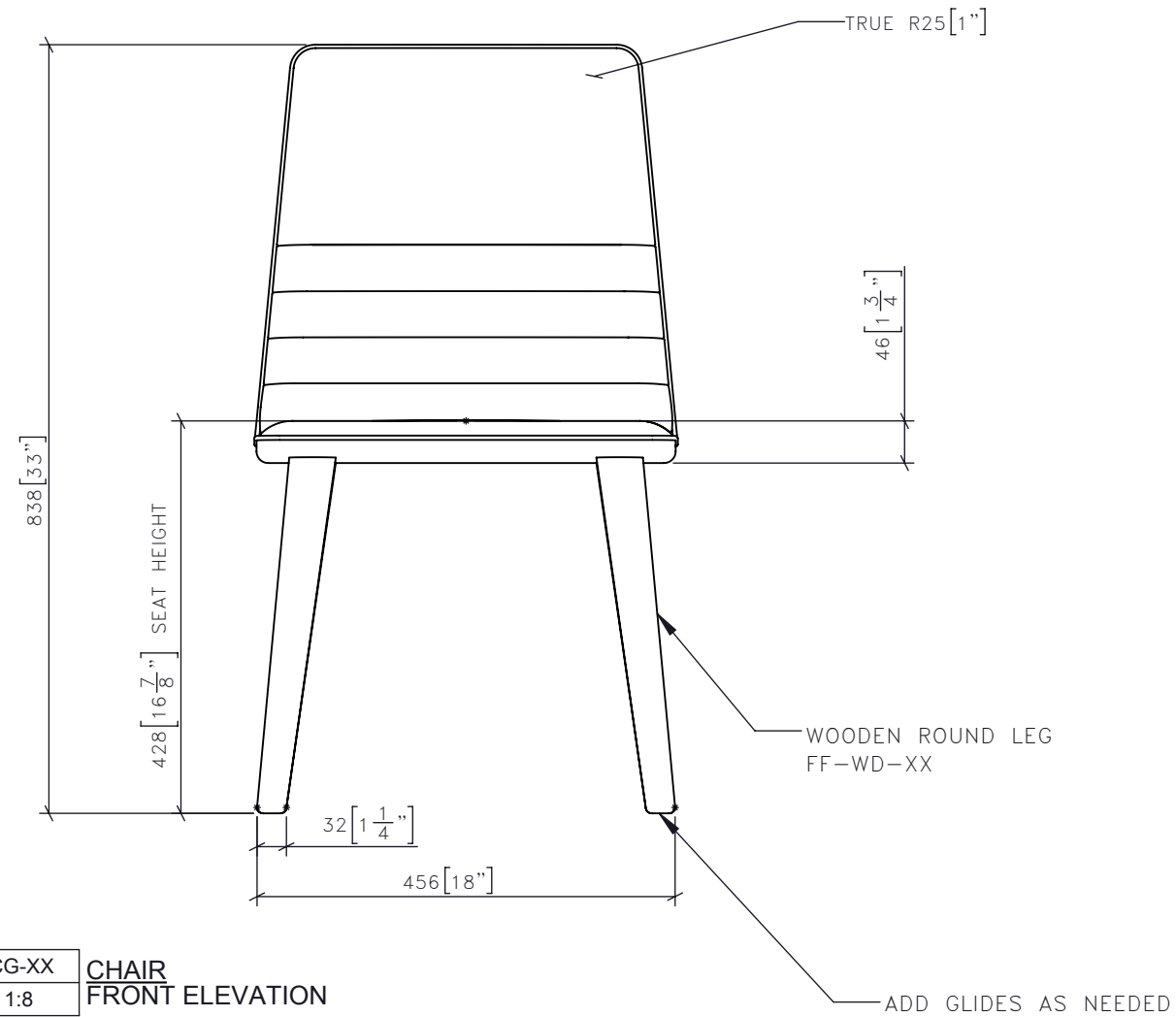
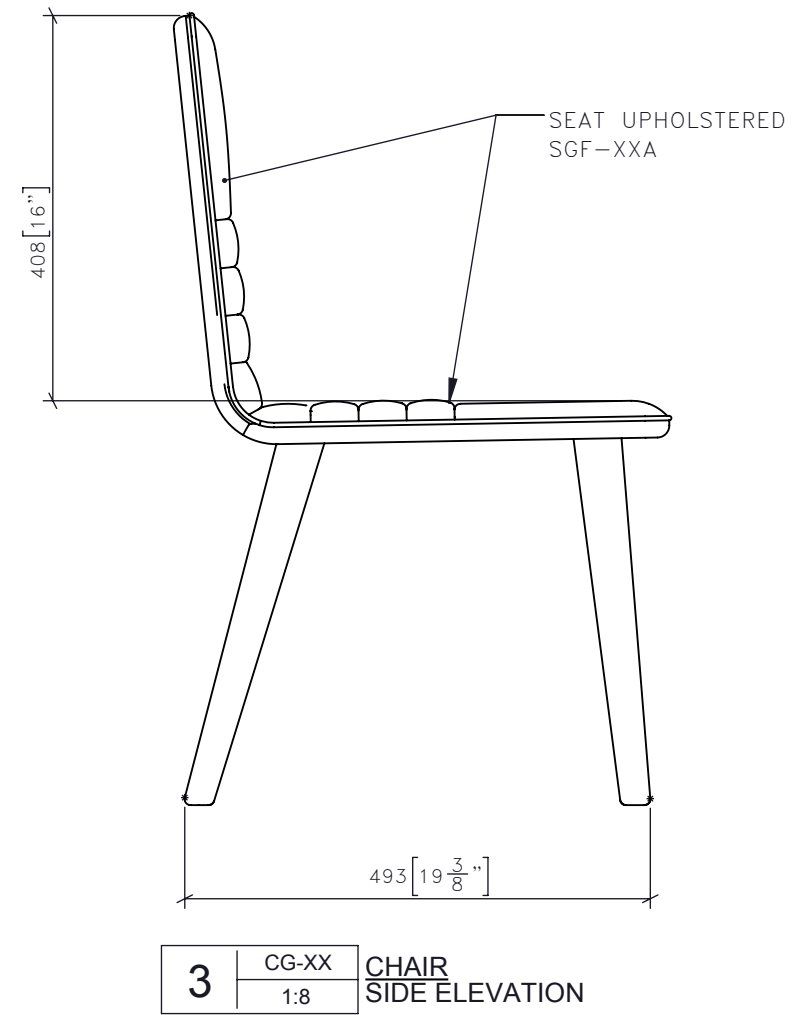


FOR DESIGN INTENT ONLY

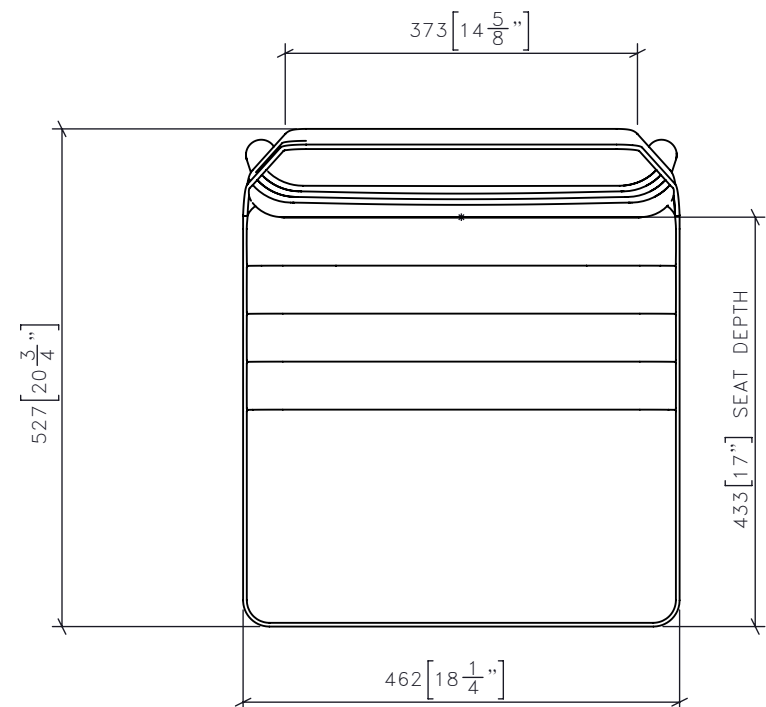
DRAWING ARE NOT TO BE SCALED. CONTRACTOR MUST CHECK AND VERIFY ALL JOB DIMENSIONS, DRAWINGS, DETAILS AND SPECIFICATIONS; AND REPORT ANY DISCREPANCIES TO DESIGNER BEFORE PROCEEDING WITH WORK.



**1** | CG-XX | CHAIR  
1:8 | FRONT ELEVATION



**3** | CG-XX | CHAIR  
1:8 | SIDE ELEVATION



**2** | CG-XX | CHAIR  
1:8 | PLAN

-REV/	-ISSUED FOR	-DATE

**STUDIO MUNGE**  
 25 WINGOLD AVENUE  
 TORONTO, ONTARIO  
 M6B 1P8 CANADA  
 416.588.1668  
 STUDIOMUNGE.COM

-SCALE AS NOTED	-DATE 1/8/18
-DRAWN BY RC	-CHECKED BY
-PROJECT NAME	
STUDIO MUNGE FURNITURE COLLECTION	
-DRAWING TITLE	
CG-XX CHAIR	
-PROJECT NUMBER XXXXXX	
-DRAWING NUMBER 1 / 2	

STUDIO MUNGE  
Y  
E  
M  
D  
C  
B  
A  
Y

FOR DESIGN INTENT ONLY

DRAWING ARE NOT TO BE SCALED. CONTRACTOR MUST CHECK AND VERIFY ALL JOB DIMENSIONS, DRAWINGS, DETAILS AND SPECIFICATIONS; AND REPORT ANY DISCREPANCIES TO DESIGNER BEFORE PROCEEDING WITH WORK.

-REV/	-ISSUED FOR	-DATE



**STUDIO  
MUNGE** 25 WINGOLD AVENUE  
TORONTO, ONTARIO  
M6B 1P8 CANADA  
416.588.1668  
STUDIOMUNGE.COM

**-SCALE** AS NOTED **-DATE** 1/8/18

**-DRAWN BY** AM **-CHECKED BY**

**-PROJECT NAME**  
STUDIO MUNGE FURNITURE COLLECTION

**-DRAWING TITLE**  
CG-XX  
CHAIR

**-PROJECT NUMBER**  
XXXXXX

**-DRAWING NUMBER**  
2 / 2