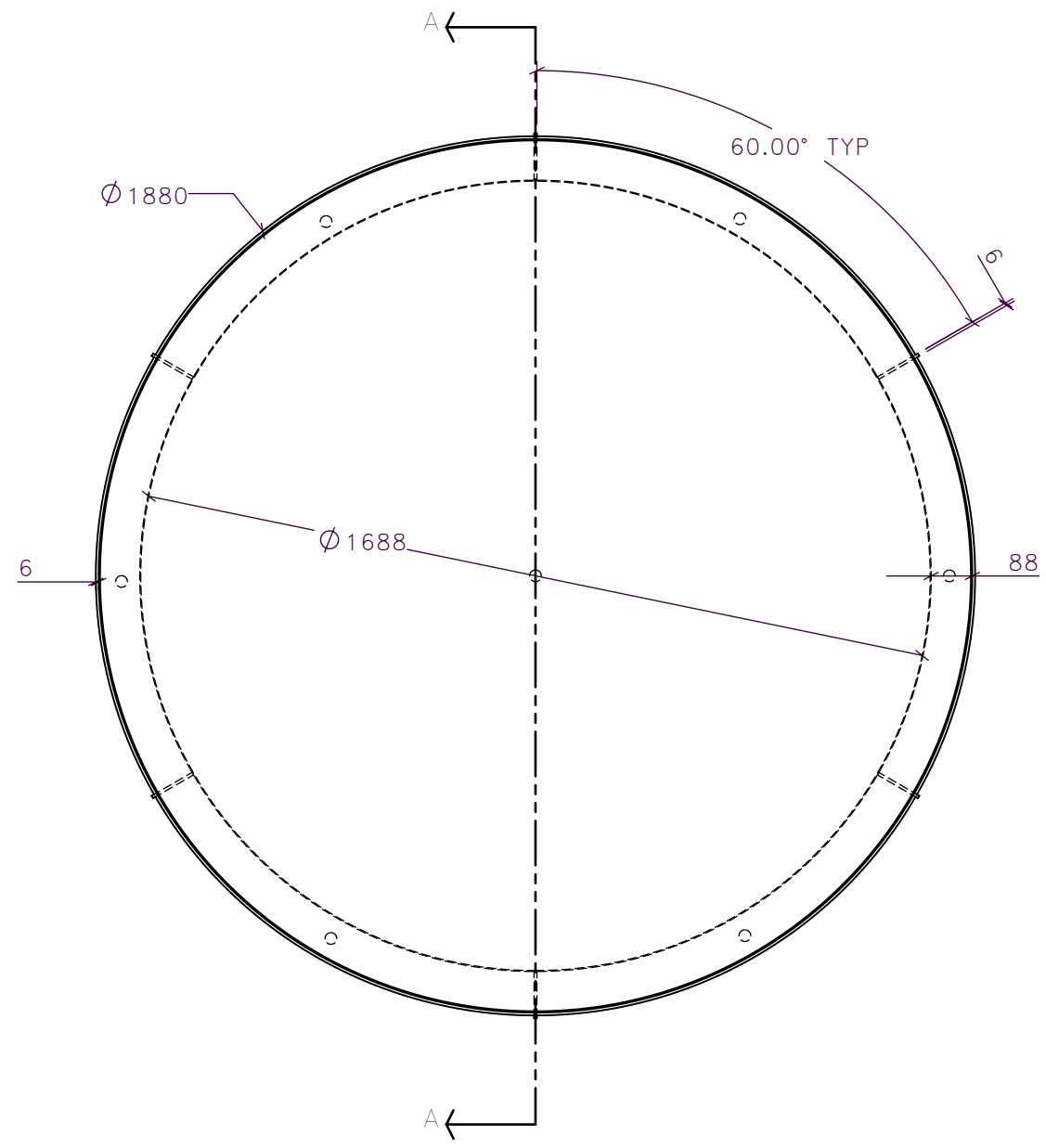
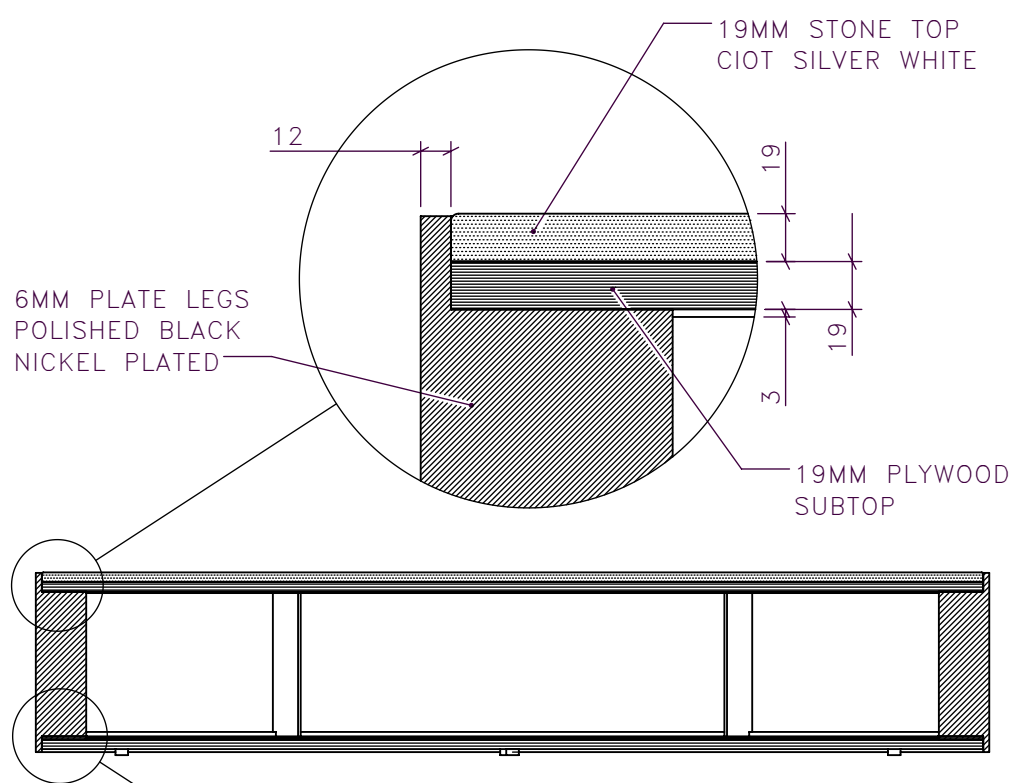


DRAWING ARE NOT TO BE SCALED. CONTRACTOR MUST CHECK AND VERIFY ALL JOB DIMENSIONS, DRAWINGS, DETAILS AND SPECIFICATIONS, AND REPORT ANY DISCREPANCIES TO DESIGNER BEFORE PROCEEDING WITH WORK.

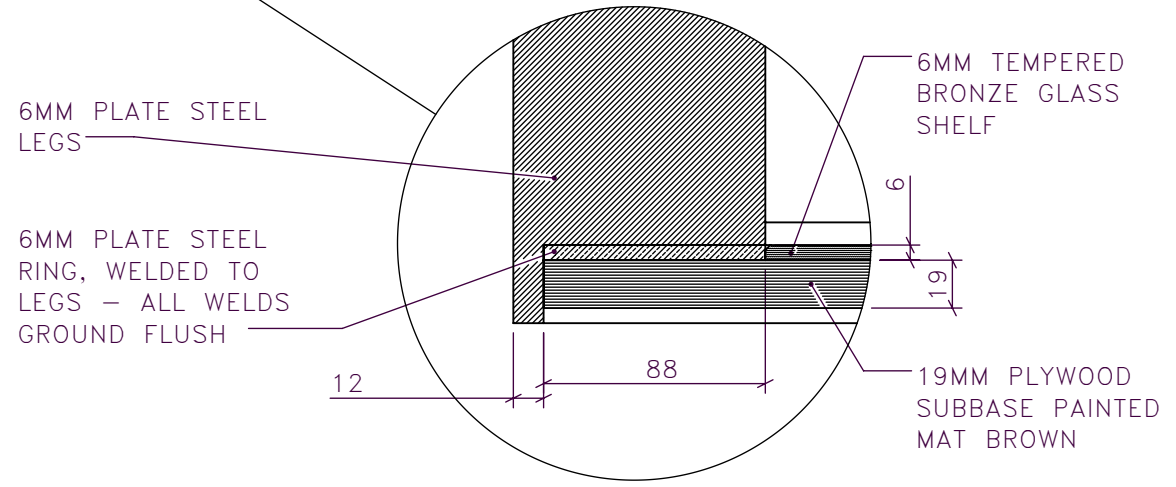
-REV/	-ISSUED FOR	-DATE



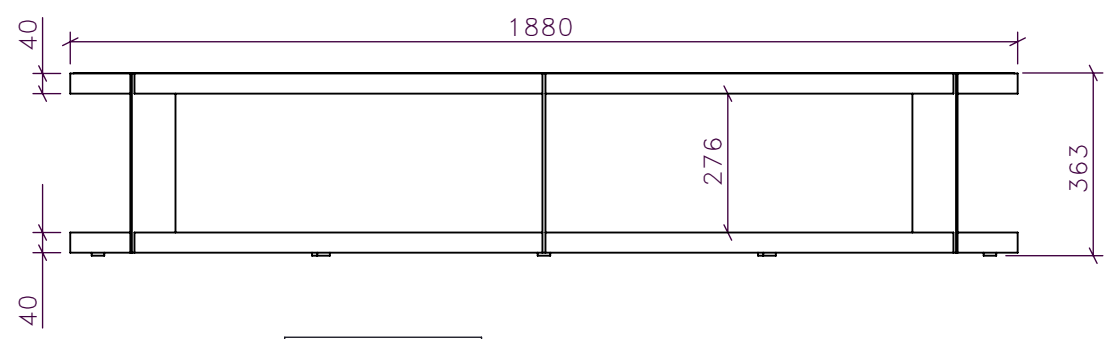
**1** CG-01 LOBBY COFFEE TABLE  
1:15 PLAN



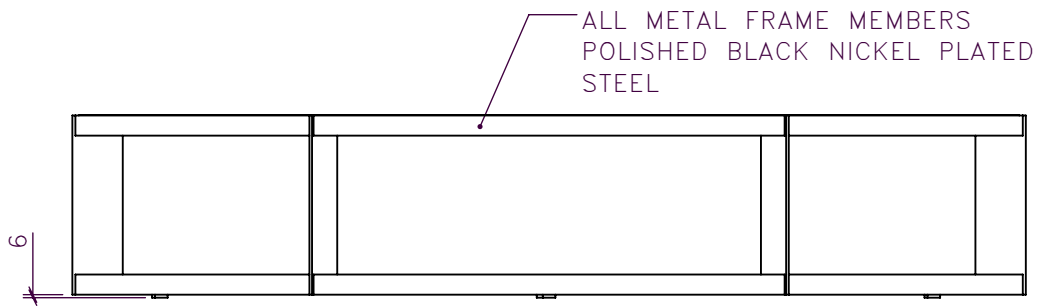
**3** CG-01 LOBBY COFFEE TABLE  
1:15 SECTION A



**4** CG-01 LOBBY COFFEE TABLE  
1:15 SIDE ELEVATION



**2** CG-01 LOBBY COFFEE TABLE  
1:15 FRONT ELEVATION



**STUDIO MUNGE**  
25 WINGOLD AVENUE  
TORONTO, ONTARIO  
M6B 1P8 CANADA  
416.588.1668  
STUDIOMUNGE.COM

-SCALE AS NOTED -DATE 12/12/17

-DRAWN BY AM -CHECKED BY

-PROJECT NAME

FLAIRE CONDOMINIUMS

-DRAWING TITLE

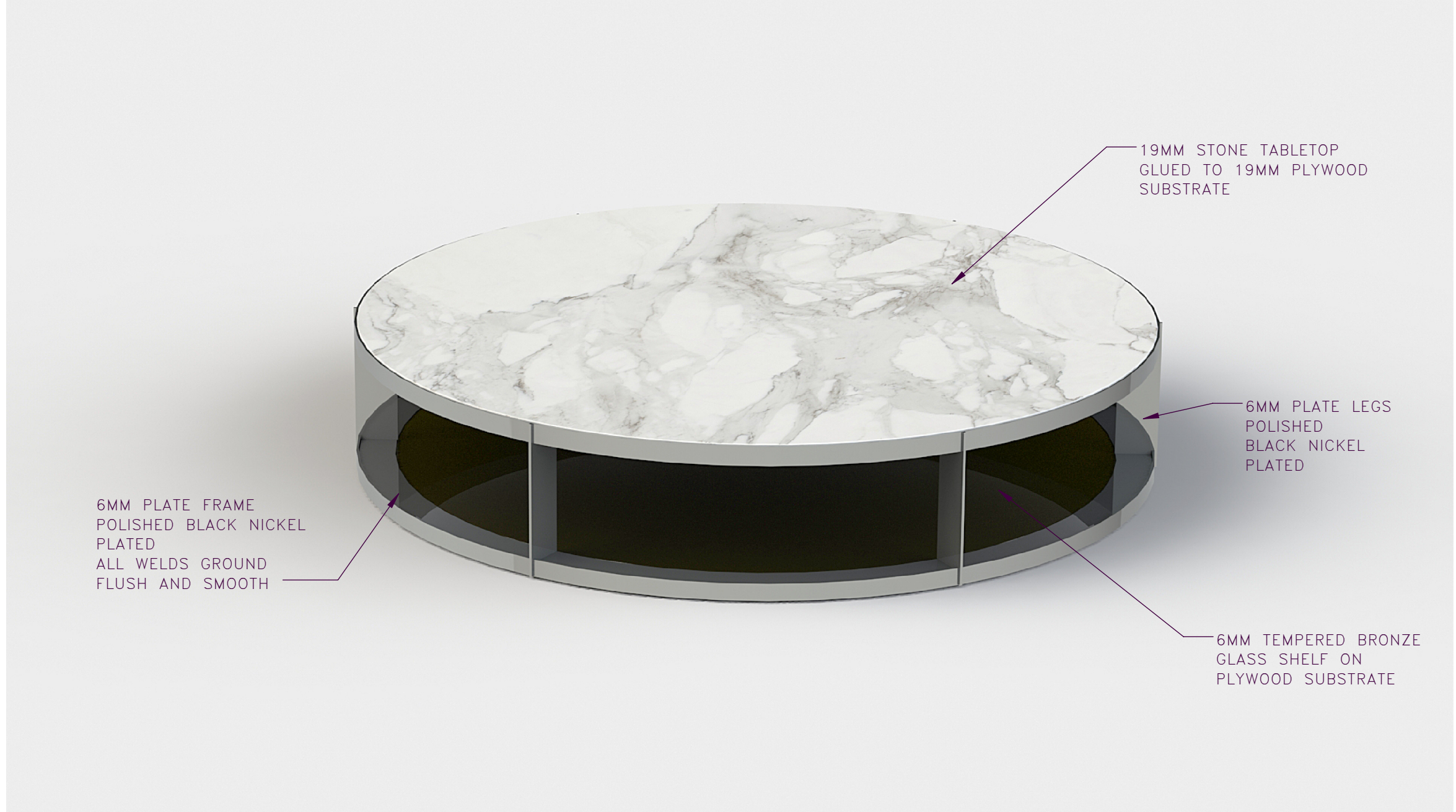
CG-01

-PROJECT NUMBER 13140

-DRAWING NUMBER 1 / 3

DRAWING ARE NOT TO BE SCALED. CONTRACTOR MUST CHECK AND VERIFY ALL JOB DIMENSIONS, DRAWINGS, DETAILS AND SPECIFICATIONS; AND REPORT ANY DISCREPANCIES TO DESIGNER BEFORE PROCEEDING WITH WORK.

-REV/	-ISSUED FOR	-DATE



**STUDIO  
MUNGE** 25 WINGOLD AVENUE  
TORONTO, ONTARIO  
M6B 1P8 CANADA  
416.588.1668  
STUDIOMUNGE.COM

**-SCALE** AS NOTED **-DATE** 12/12/17

**-DRAWN BY** AM **-CHECKED BY**

**-PROJECT NAME**

FLAIRE CONDOMINIUMS

**-DRAWING TITLE**

CG-01

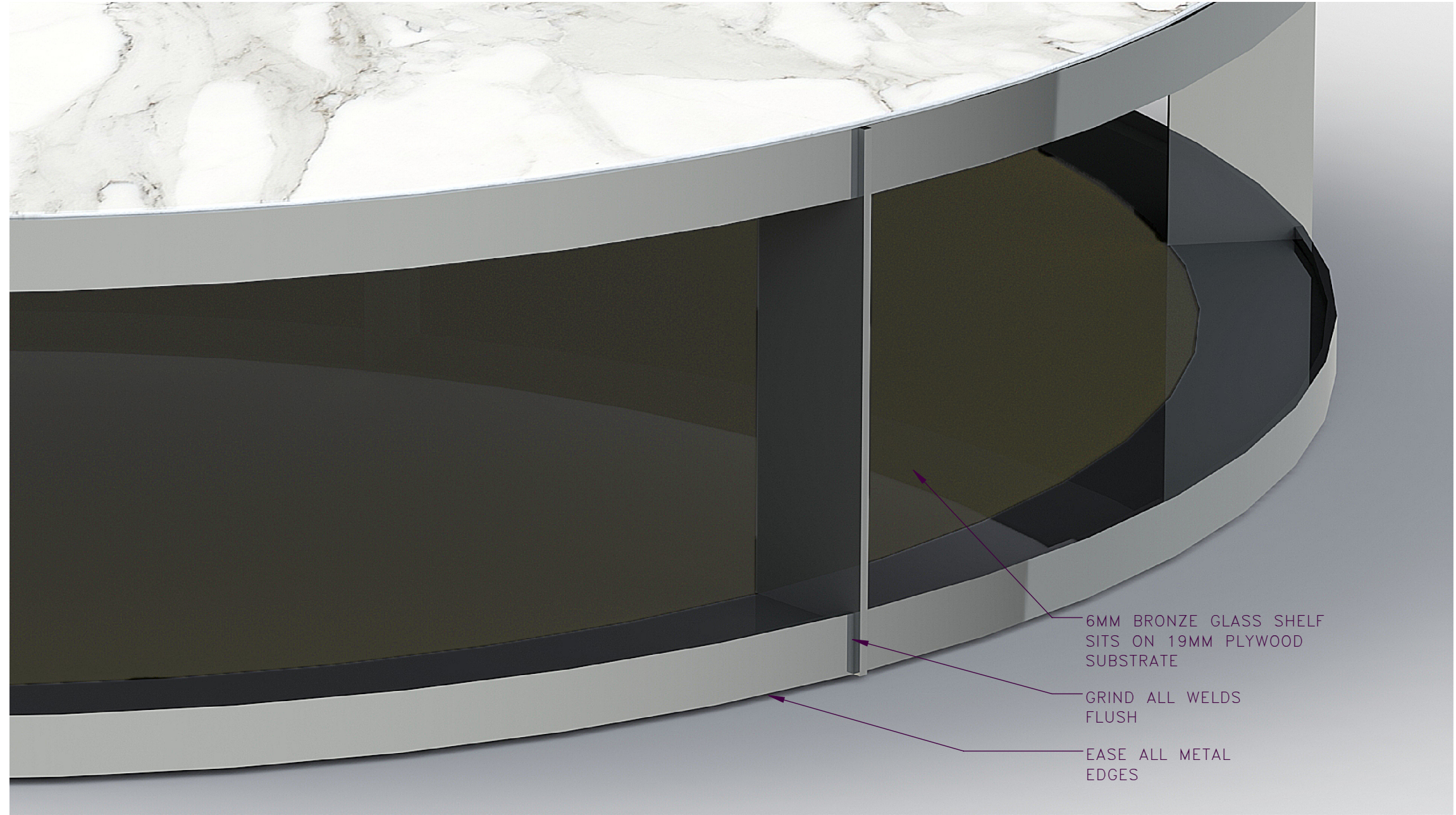
**-PROJECT NUMBER** 13140

**-DRAWING NUMBER** 2 / 3

**5** CG-01 LOBBY COFFEE TABLE  
NTS RENDERED VIEW

DRAWING ARE NOT TO BE SCALED. CONTRACTOR MUST CHECK AND VERIFY ALL JOB DIMENSIONS, DRAWINGS, DETAILS AND SPECIFICATIONS; AND REPORT ANY DISCREPANCIES TO DESIGNER BEFORE PROCEEDING WITH WORK.

-REV/	-ISSUED FOR	-DATE



**STUDIO MUNGE**  
 25 WINGOLD AVENUE  
 TORONTO, ONTARIO  
 M6B 1P8 CANADA  
 416.588.1668  
 STUDIOMUNGE.COM

**-SCALE** AS NOTED  
**-DATE** 12/12/17

**-DRAWN BY** AM  
**-CHECKED BY**

**-PROJECT NAME**  
 FLAIRE CONDOMINIUMS

**-DRAWING TITLE**  
 CG-01

**-PROJECT NUMBER**  
 13140

**-DRAWING NUMBER**  
 3 / 3

**6** CG-01 LOBBY COFFEE TABLE  
 NTS RENDERED VIEW