

STUDIO MUNGE

DRAWING ARE NOT TO BE SCALED. CONTRACTOR MUST CHECK AND VERIFY ALL JOB DIMENSIONS, DRAWINGS, DETAILS AND SPECIFICATIONS; AND REPORT ANY DISCREPANCIES TO DESIGNER BEFORE PROCEEDING WITH WORK.

FOR DESIGN INTENT ONLY

REV	ISSUED FOR	DATE

**STUDIO MUNGE**  
 25 WINGOLD AVENUE  
 TORONTO, ONTARIO  
 M6B 1P8 CANADA  
 416.588.1668  
 STUDIOMUNGE.COM

SCALE	AS NOTED	DATE	5/1/17
DRAWN BY	EP	CHECKED BY	
PROJECT NAME	BISHA HOTEL		
DRAWING TITLE	SG-214 BATHROOM BENCH DK		
PROJECT NUMBER	28104		
DRAWING NUMBER	1 / 4		

NOTE: ALL METAL COMPONENTS TO BE STAINLESS STEEL

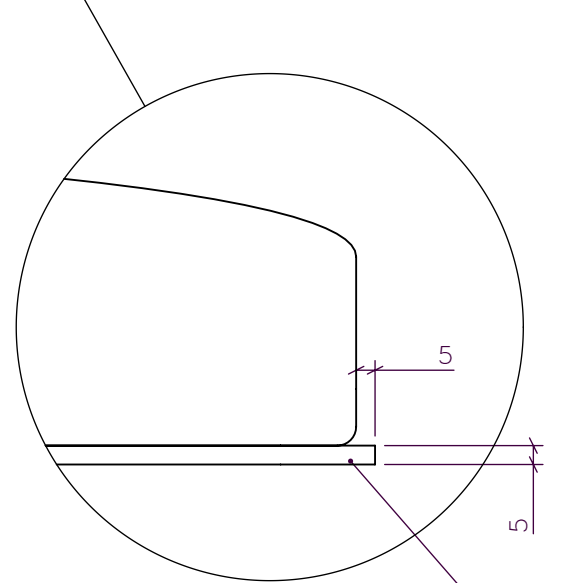
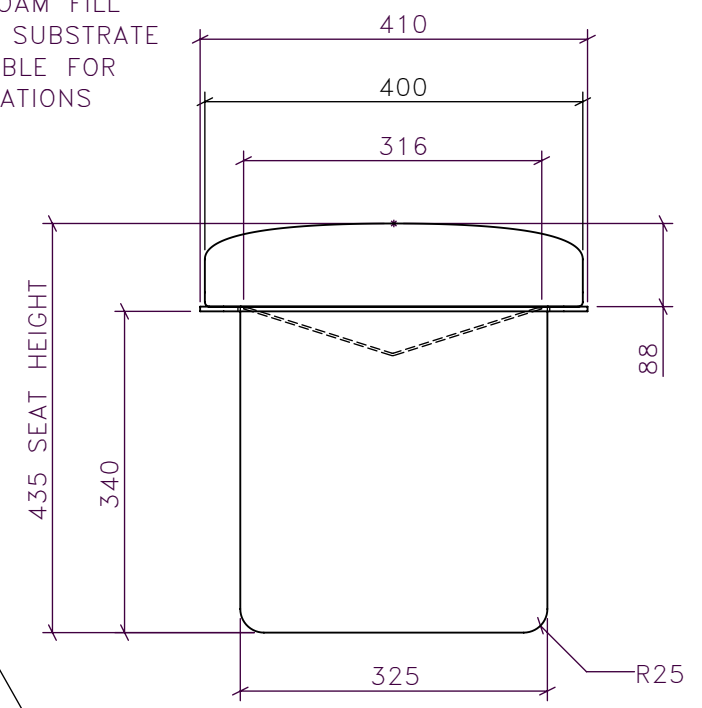
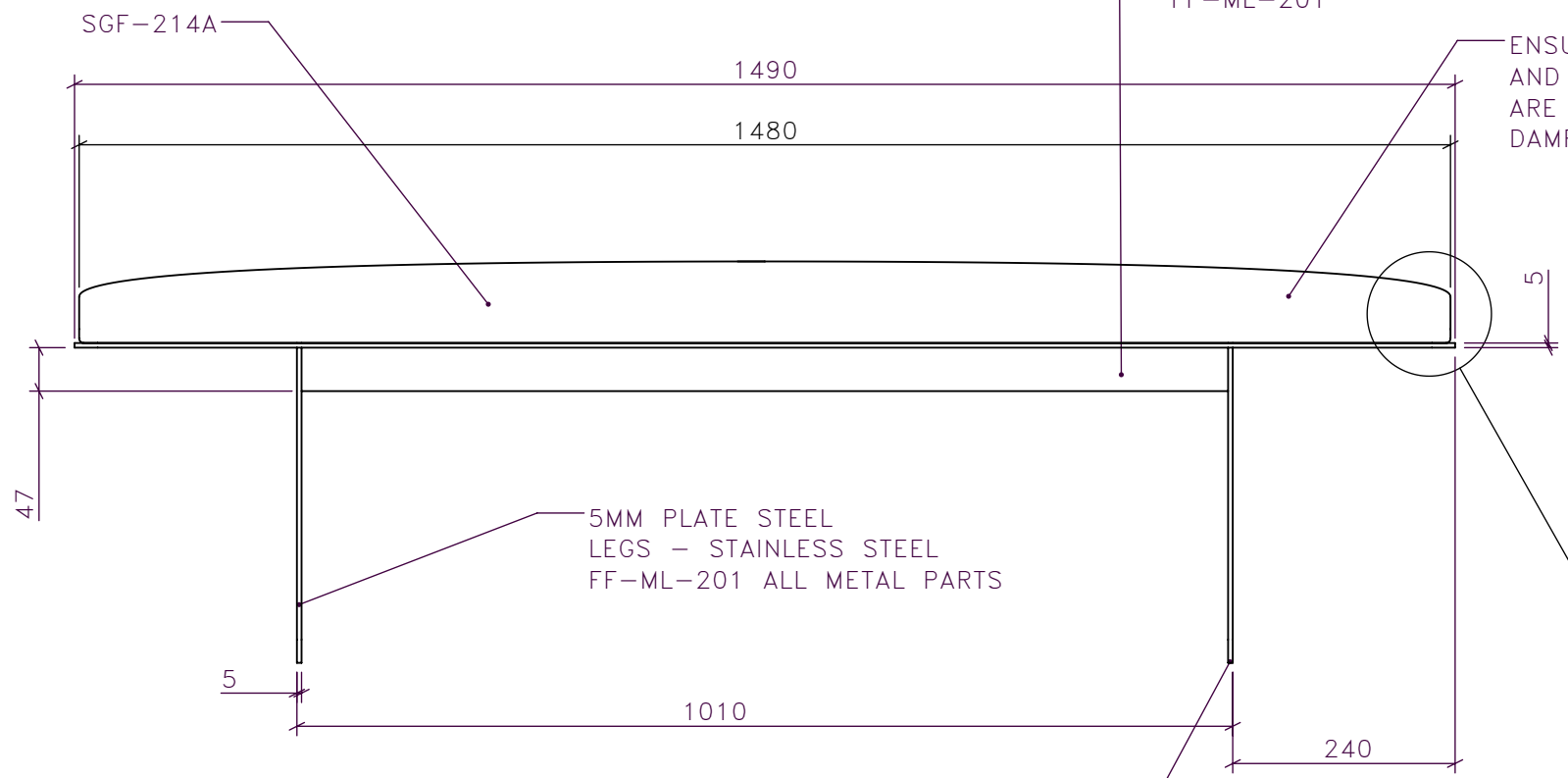
BENT 2.5MM STAINLESS STEEL STRETCHER ALONG BOTTOM SURFACE FF-ML-201

ENSURE FOAM FILL AND SEAT SUBSTRATE ARE SUITABLE FOR DAMP LOCATIONS

5MM PLATE STEEL LEGS - STAINLESS STEEL FF-ML-201 ALL METAL PARTS

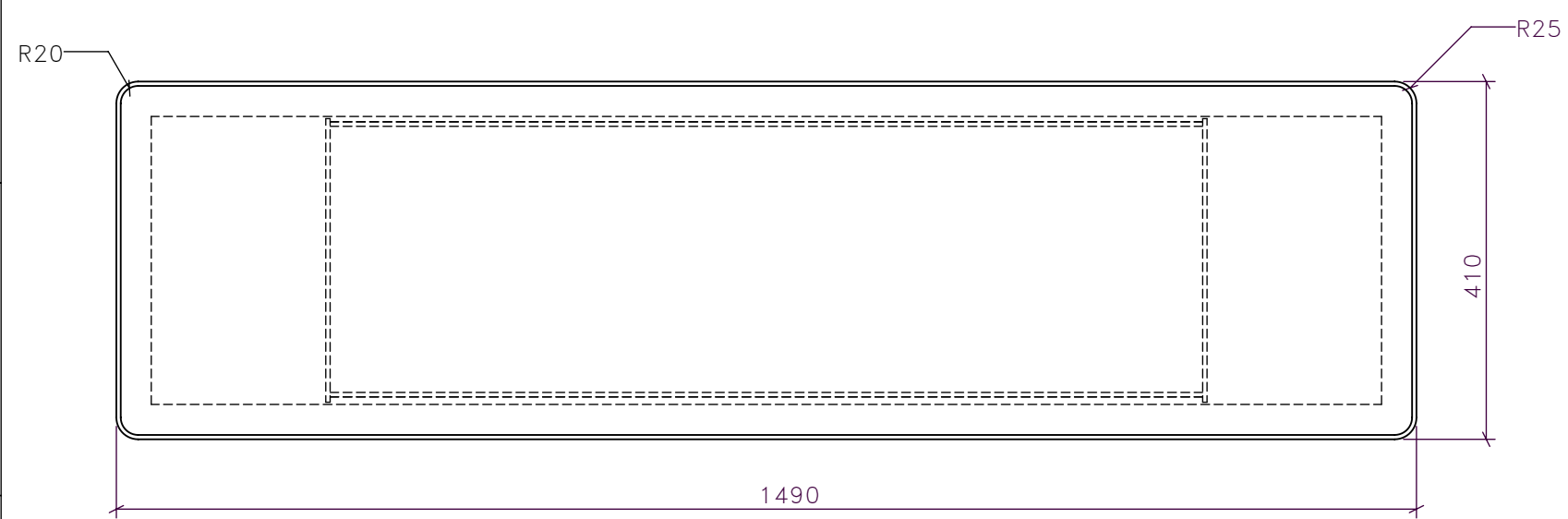
ADD MINIMAL NYLON GLIDES TO LEG BOTTOM AS NEEDED BLACK FINISH

NOTE: METAL TRIMS AT SEAT BOTTOM TO BE PROUD OF SEAT CUSHION BY 5MM FF-ML-201



1 | SG-214 | BATHROOM BENCH FRONT ELEVATION | 1:8

2 | SG-214 | BATHROOM BENCH SIDE ELEVATION | 1:8



3 | SG-214 | BATHROOM BENCH PLAN | 1:8

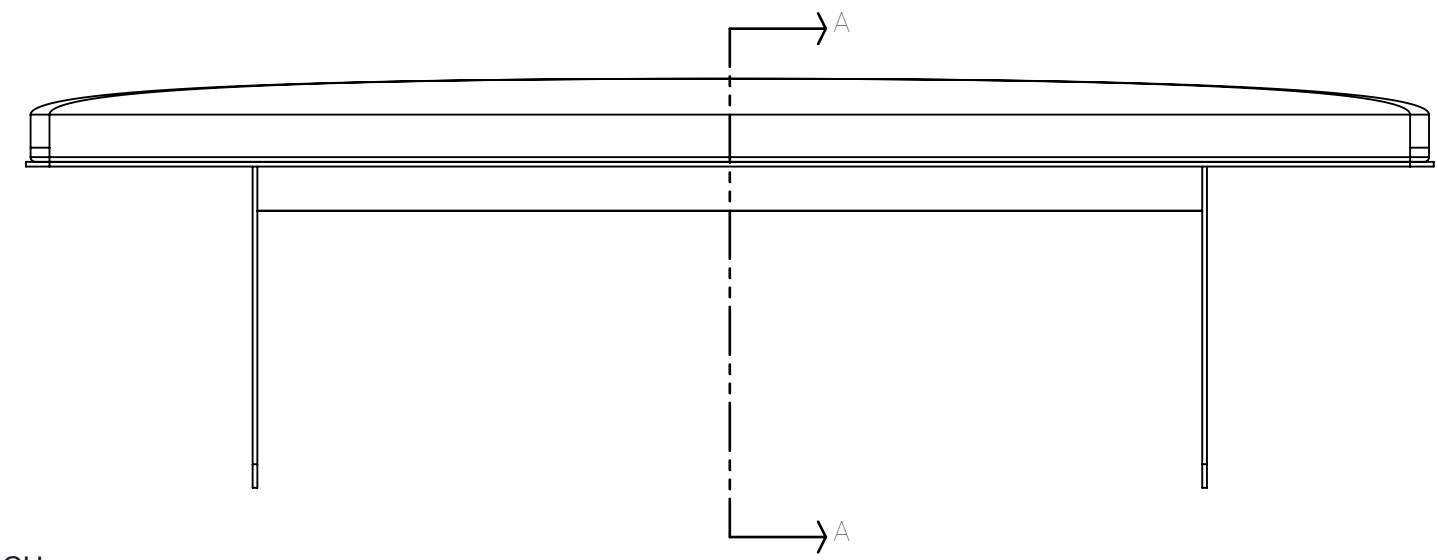
STUDIO MUNGE

DRAWING ARE NOT TO BE SCALED. CONTRACTOR MUST CHECK AND VERIFY ALL JOB DIMENSIONS, DRAWINGS, DETAILS AND SPECIFICATIONS; AND REPORT ANY DISCREPANCIES TO DESIGNER BEFORE PROCEEDING WITH WORK.

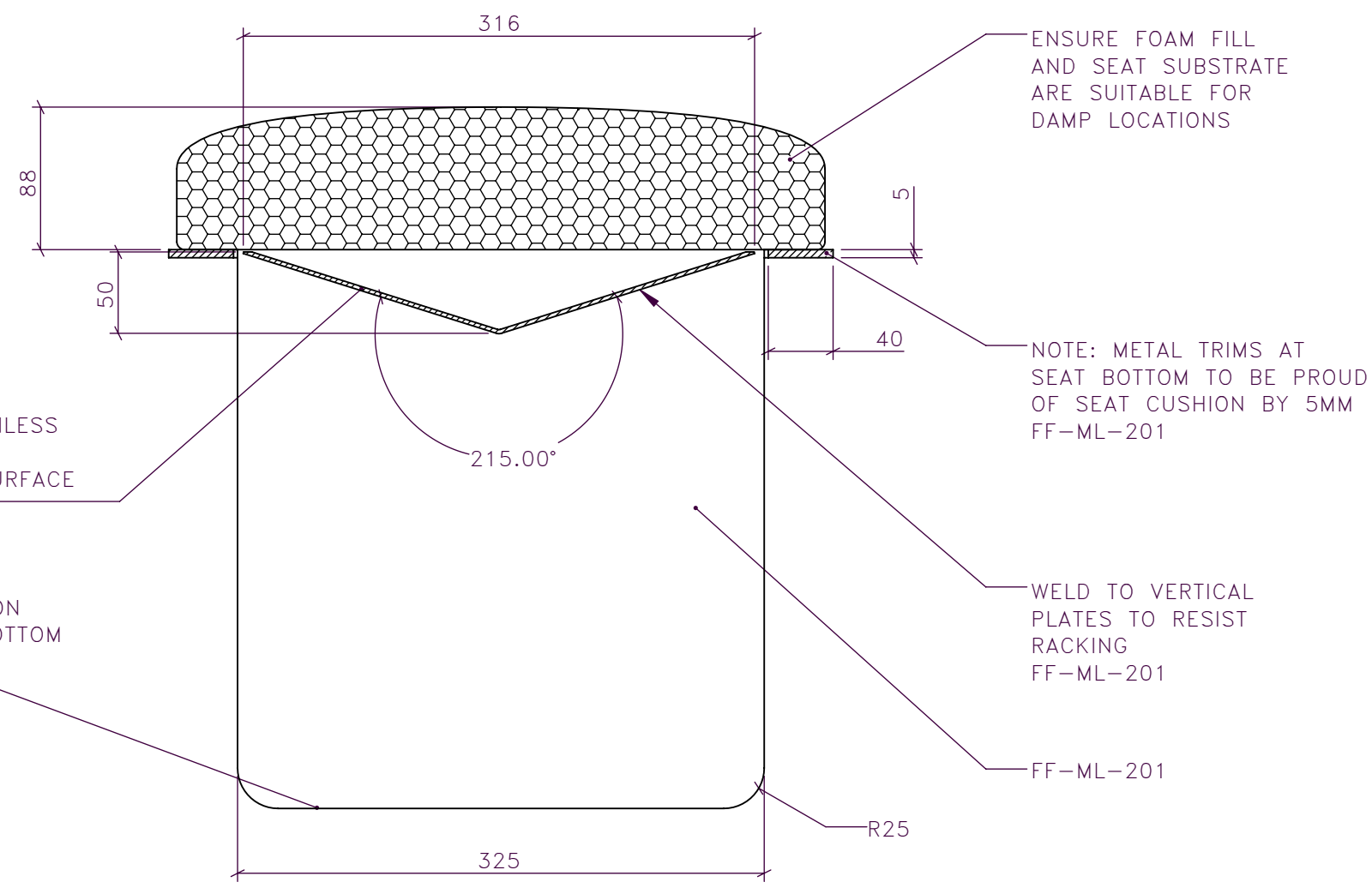
FOR DESIGN INTENT ONLY

REV	ISSUED FOR	DATE

NOTE: ALL METAL COMPONENTS TO BE STAINLESS STEEL



**4** | SG-214 | BATHROOM BENCH  
1:8 | FRONT ELEVATION



BENT 2.5MM STAINLESS STEEL STRETCHER ALONG BOTTOM SURFACE  
FF-ML-201

ADD MINIMAL NYLON GLIDES TO LEG BOTTOM AS NEEDED  
BLACK FINISH

ENSURE FOAM FILL AND SEAT SUBSTRATE ARE SUITABLE FOR DAMP LOCATIONS

NOTE: METAL TRIMS AT SEAT BOTTOM TO BE PROUD OF SEAT CUSHION BY 5MM  
FF-ML-201

WELD TO VERTICAL PLATES TO RESIST RACKING  
FF-ML-201

FF-ML-201

**5** | SG-214 | BATHROOM BENCH  
1:5 | SECTION A

**STUDIO MUNGE**  
25 WINGOLD AVENUE  
TORONTO, ONTARIO  
M6B 1P8 CANADA  
416.588.1668  
STUDIOMUNGE.COM

SCALE AS NOTED | DATE 5/1/17

DRAWN BY EP | CHECKED BY

PROJECT NAME  
BISHA HOTEL

DRAWING TITLE  
SG-214 BATHROOM BENCH DK

PROJECT NUMBER  
28104

DRAWING NUMBER  
2 / 4

STUDIO MUNGE  
E  
D  
C  
B  
A  
Y

FOR DESIGN INTENT ONLY

DRAWING ARE NOT TO BE SCALED. CONTRACTOR MUST CHECK AND VERIFY ALL JOB DIMENSIONS, DRAWINGS, DETAILS AND SPECIFICATIONS; AND REPORT ANY DISCREPANCIES TO DESIGNER BEFORE PROCEEDING WITH WORK.

REV	ISSUED FOR	DATE



**STUDIO MUNGE**  
25 WINGOLD AVENUE  
TORONTO, ONTARIO  
M6B 1P8 CANADA  
416.588.1668  
STUDIOMUNGE.COM

<b>SCALE</b> AS NOTED	<b>DATE</b> 5/1/17
<b>DRAWN BY</b> EP	<b>CHECKED BY</b> 
<b>PROJECT NAME</b>  BISHA HOTEL	
<b>DRAWING TITLE</b>  SG-214 BATHROOM BENCH DK	
<b>PROJECT NUMBER</b> 28104	
<b>DRAWING NUMBER</b> 3 / 4	

6	SG-214	BATHROOM BENCH RENDERED VIEW
	NTS	



STUDIO MUNGE  
Y  
E  
M  
D  
C  
B  
A  
Y

FOR DESIGN INTENT ONLY

DRAWING ARE NOT TO BE SCALED. CONTRACTOR MUST CHECK AND VERIFY ALL JOB DIMENSIONS, DRAWINGS, DETAILS AND SPECIFICATIONS; AND REPORT ANY DISCREPANCIES TO DESIGNER BEFORE PROCEEDING WITH WORK.

REV#	ISSUED FOR	DATE



**STUDIO MUNGE**  
25 WINGOLD AVENUE  
TORONTO, ONTARIO  
M6B 1P8 CANADA  
416.588.1668  
STUDIOMUNGE.COM

<b>SCALE</b> AS NOTED	<b>DATE</b> 5/1/17
<b>DRAWN BY</b> EP	<b>CHECKED BY</b> 
<b>PROJECT NAME</b>  BISHA HOTEL	
<b>DRAWING TITLE</b>  SG-214 BATHROOM BENCH DK	
<b>PROJECT NUMBER</b> 28104	
<b>DRAWING NUMBER</b> 4 / 4	

<b>7</b>	SG-214 NTS	BATHROOM BENCH RENDERED VIEW
----------	---------------	---------------------------------