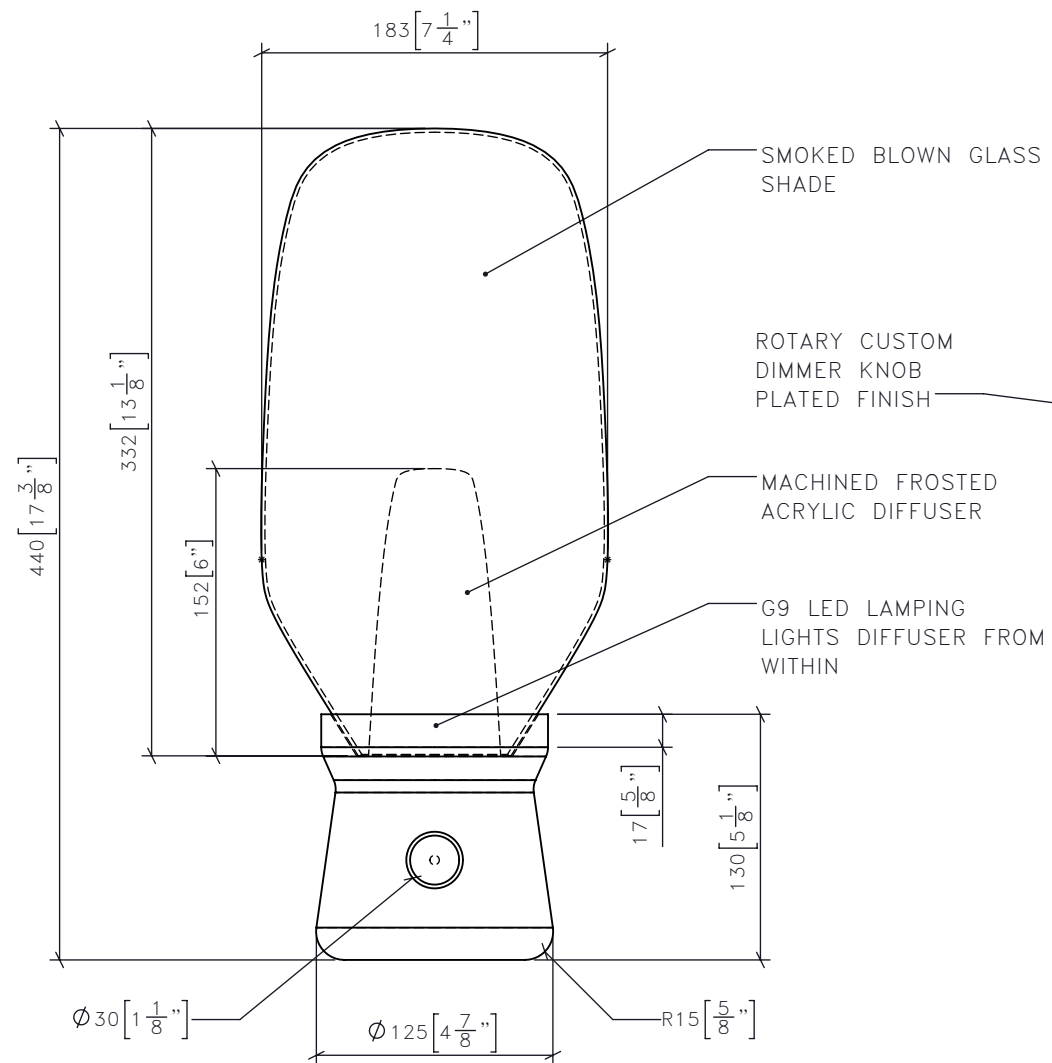
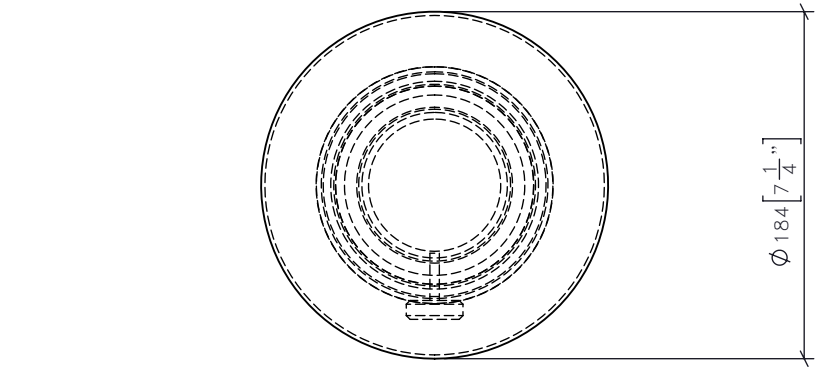


-REV/	-ISSUED FOR	-DATE

STUDIO MUNGE
 25 WINGOLD AVENUE
 TORONTO, ONTARIO
 M6B 1P8 CANADA
 416.588.1668
 STUDIOMUNGE.COM

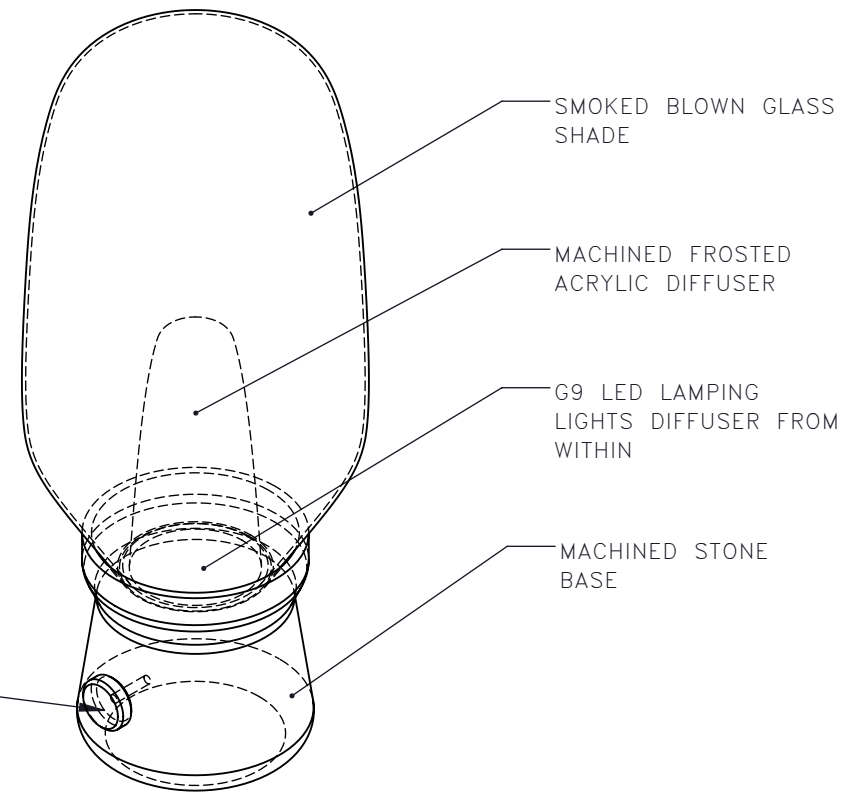
-SCALE AS NOTED	-DATE 10/11/17
-DRAWN BY AM	-CHECKED BY
-PROJECT NAME SHANGRILA NANNING	
-DRAWING TITLE LA-XX BEDSIDE LAMP	
-PROJECT NUMBER 16108	
-DRAWING NUMBER 1 / 2	

1 | LA-XX
1:4 | **BEDSIDE LAMP
PLAN**



2 | LA-XX
1:4 | **BEDSIDE LAMP
FRONT ELEVATION**

3 | LA-XX
1:4 | **BEDSIDE LAMP
ISOMETRIC**



STUDIO MUNGE
Y
E
M
D
C
B
A
Y

FOR DESIGN INTENT ONLY

DRAWING ARE NOT TO BE SCALED. CONTRACTOR MUST CHECK AND VERIFY ALL JOB DIMENSIONS, DRAWINGS, DETAILS AND SPECIFICATIONS; AND REPORT ANY DISCREPANCIES TO DESIGNER BEFORE PROCEEDING WITH WORK.

-REV/	-ISSUED FOR	-DATE



**STUDIO
MUNGE**
25 WINGOLD AVENUE
TORONTO, ONTARIO
M6B 1P8 CANADA
416.588.1668
STUDIOMUNGE.COM

-SCALE
AS NOTED

-DATE
10/11/17

-DRAWN BY
AM

-CHECKED BY

-PROJECT NAME

SHANGRILA NANNING

-DRAWING TITLE

LA-XX
BEDSIDE LAMP

-PROJECT NUMBER
16108

-DRAWING NUMBER
2 / 2

4 | LA-XX
NTS | BEDSIDE LAMP
RENDERED VIEW