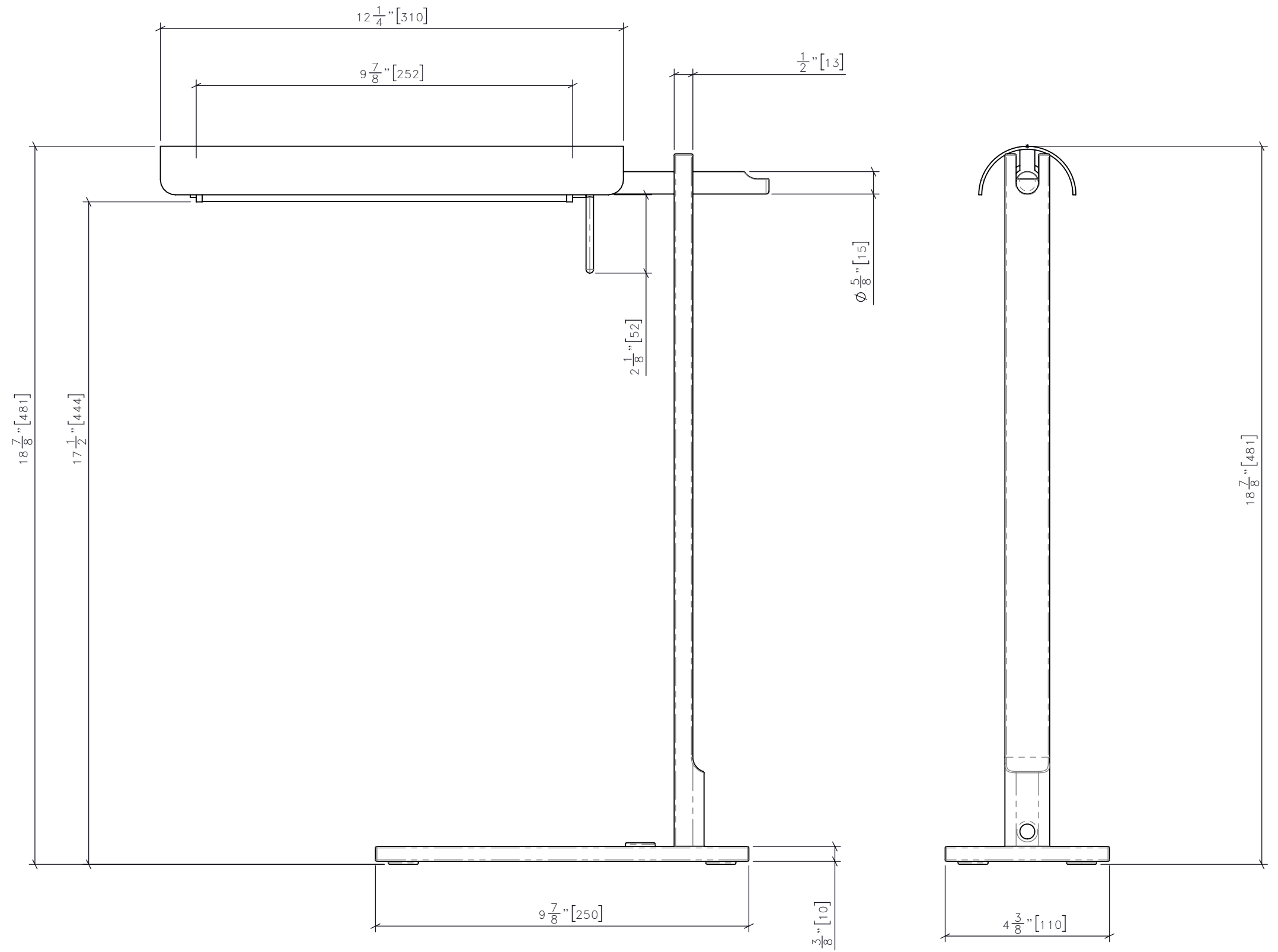


FOR DESIGN INTENT ONLY

DRAWING ARE NOT TO BE SCALED. CONTRACTOR MUST CHECK AND VERIFY ALL JOB DIMENSIONS, DRAWINGS, DETAILS AND SPECIFICATIONS; AND REPORT ANY DISCREPANCIES TO DESIGNER BEFORE PROCEEDING WITH WORK.

REV	ISSUED FOR	DATE



1 | CG-XX | DESK LAMP
1:3 | SIDE ELEVATION

2 | CG-XX | DESK LAMP
1:3 | FRONT ELEVATION

STUDIO MUNGE
 25 WINGOLD AVENUE
 TORONTO, ONTARIO
 M6B 1P8 CANADA
 416.588.1668
 STUDIOMUNGE.COM

-SCALE
AS NOTED

-DATE
10/16/17

-DRAWN BY
RC

-CHECKED BY

-PROJECT NAME
SHANGRI-LA NANNING

-DRAWING TITLE
CG-XX
DESK LAMP

-PROJECT NUMBER
16108

-DRAWING NUMBER
1 / 2

STUDIO MUNGE
E
M
D
C
B
A
Y

FOR DESIGN INTENT ONLY

DRAWING ARE NOT TO BE SCALED. CONTRACTOR MUST CHECK AND VERIFY ALL JOB DIMENSIONS, DRAWINGS, DETAILS AND SPECIFICATIONS; AND REPORT ANY DISCREPANCIES TO DESIGNER BEFORE PROCEEDING WITH WORK.

REV	ISSUED FOR	DATE



**STUDIO
MUNGE**
25 WINGOLD AVENUE
TORONTO, ONTARIO
M6B 1P8 CANADA
416.588.1668
STUDIOMUNGE.COM

-SCALE AS NOTED	-DATE 10/16/17
-DRAWN BY RC	-CHECKED BY
-PROJECT NAME SHANGRI-LA NANNING	
-DRAWING TITLE CG-XX DESK LAMP	
-PROJECT NUMBER 16108	
-DRAWING NUMBER 2 / 2	

3 | CG-XX | DESK LAMP
| NTS | RENDERED VIEW