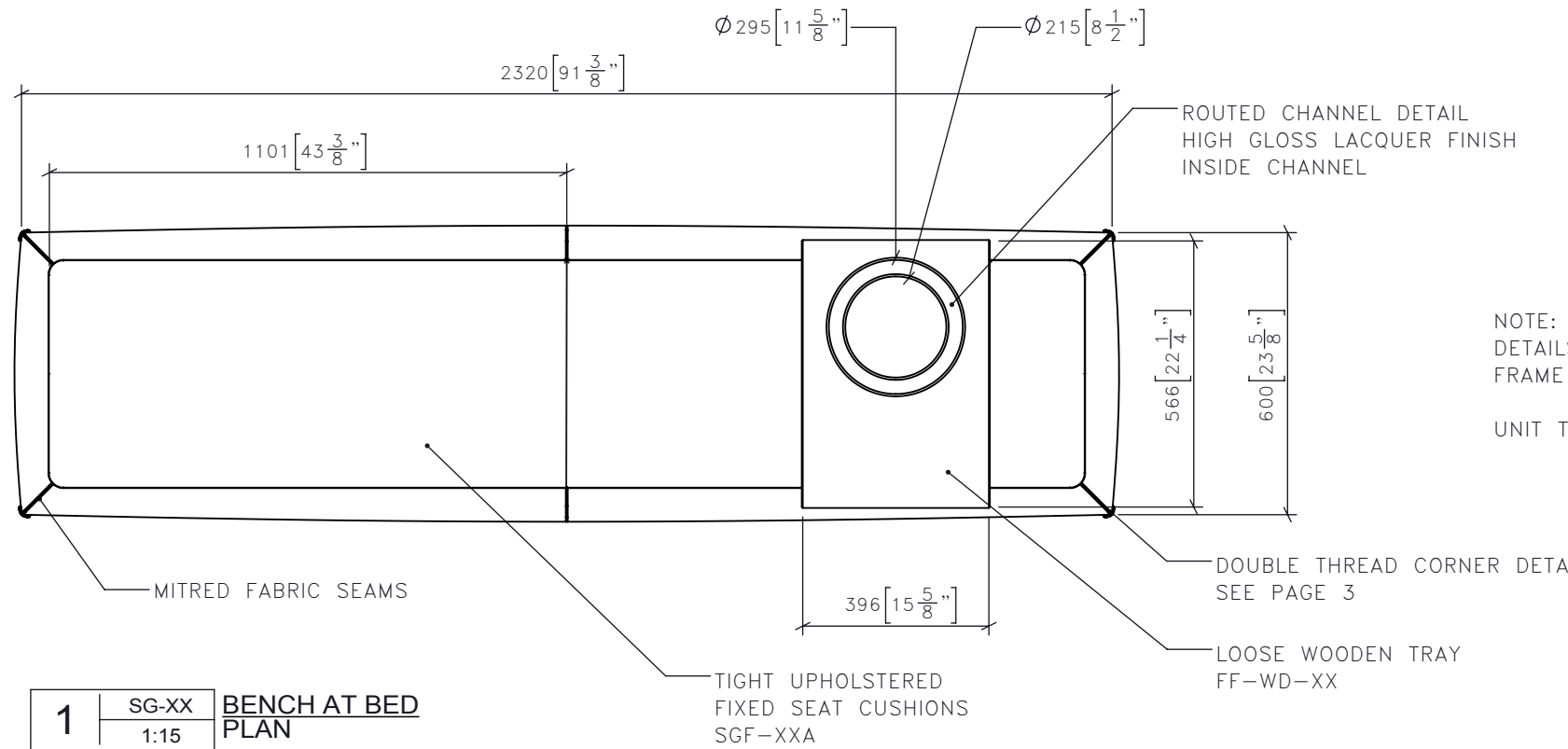
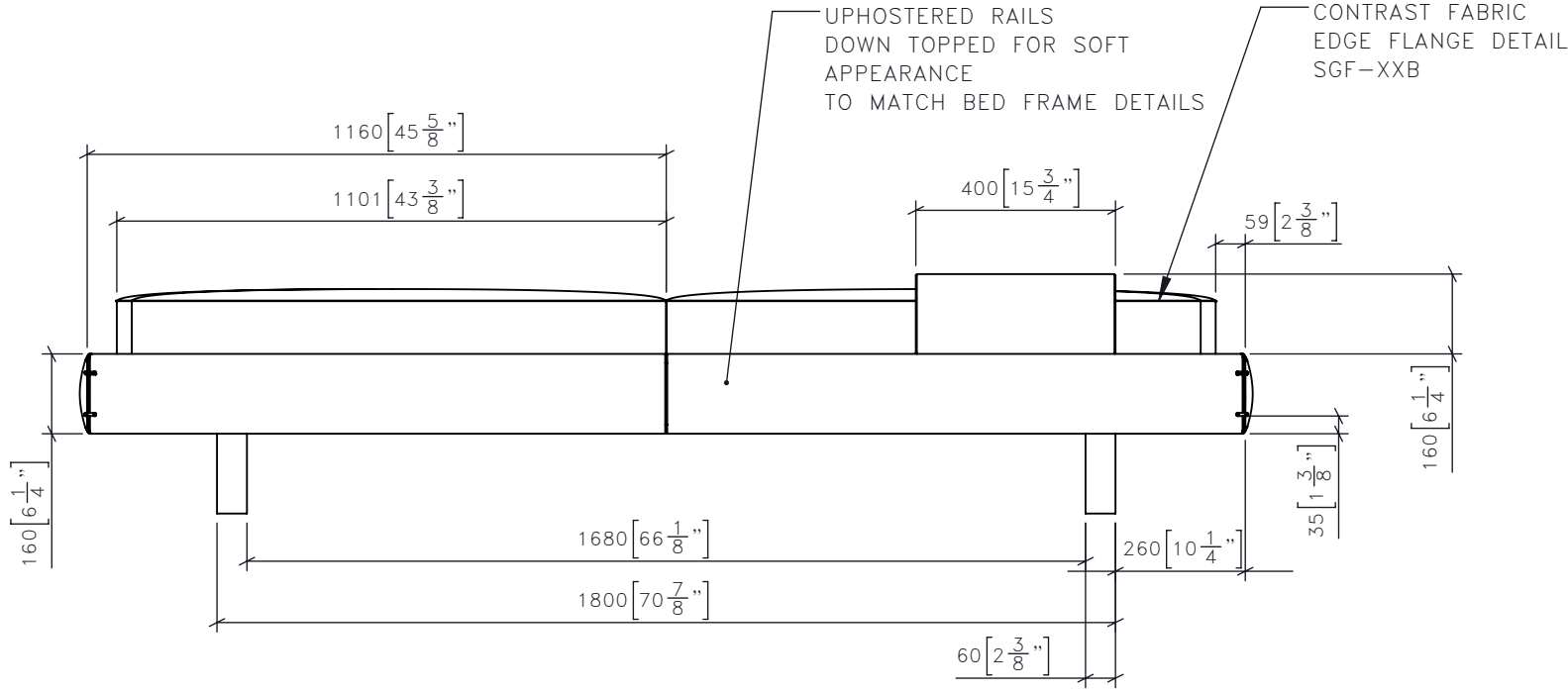


REV	ISSUED FOR	DATE

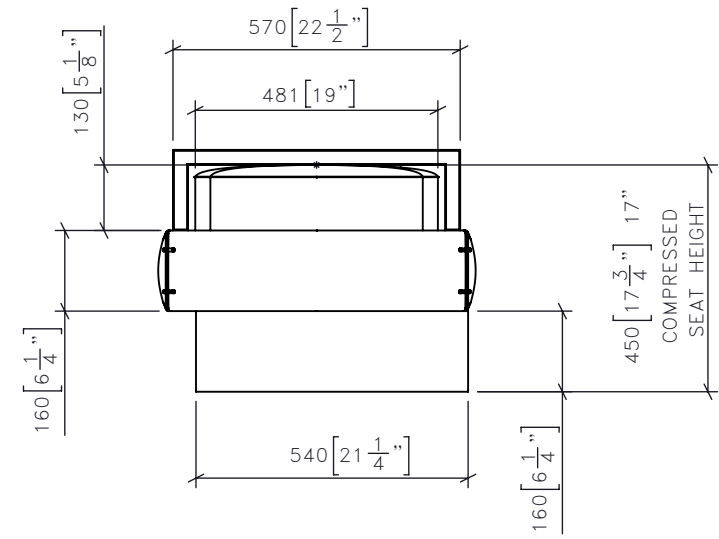


NOTE: ALL UPHOLSTERY SECTIONS AND DETAILS TO MATCH CG-XX STANDARD KING BED FRAME RAILS
UNIT TO FREESTAND ADJACENT TO BED

1 | SG-XX | BENCH AT BED
1:15 | PLAN



2 | SG-XX | BENCH AT BED
1:15 | FRONT ELEVATION



3 | SG-XX | BENCH AT BED
1:15 | SIDE ELEVATION

STUDIO MUNGE
25 WINGOLD AVENUE
TORONTO, ONTARIO
M6B 1P8 CANADA
416.588.1668
STUDIOMUNGE.COM

-SCALE AS NOTED	-DATE 10/17/17
-DRAWN BY AM	-CHECKED BY
-PROJECT NAME SHANGRILA NANNING	
-DRAWING TITLE SG-XX BENCH AT BED	
-PROJECT NUMBER 16108	
-DRAWING NUMBER 1 / 3	

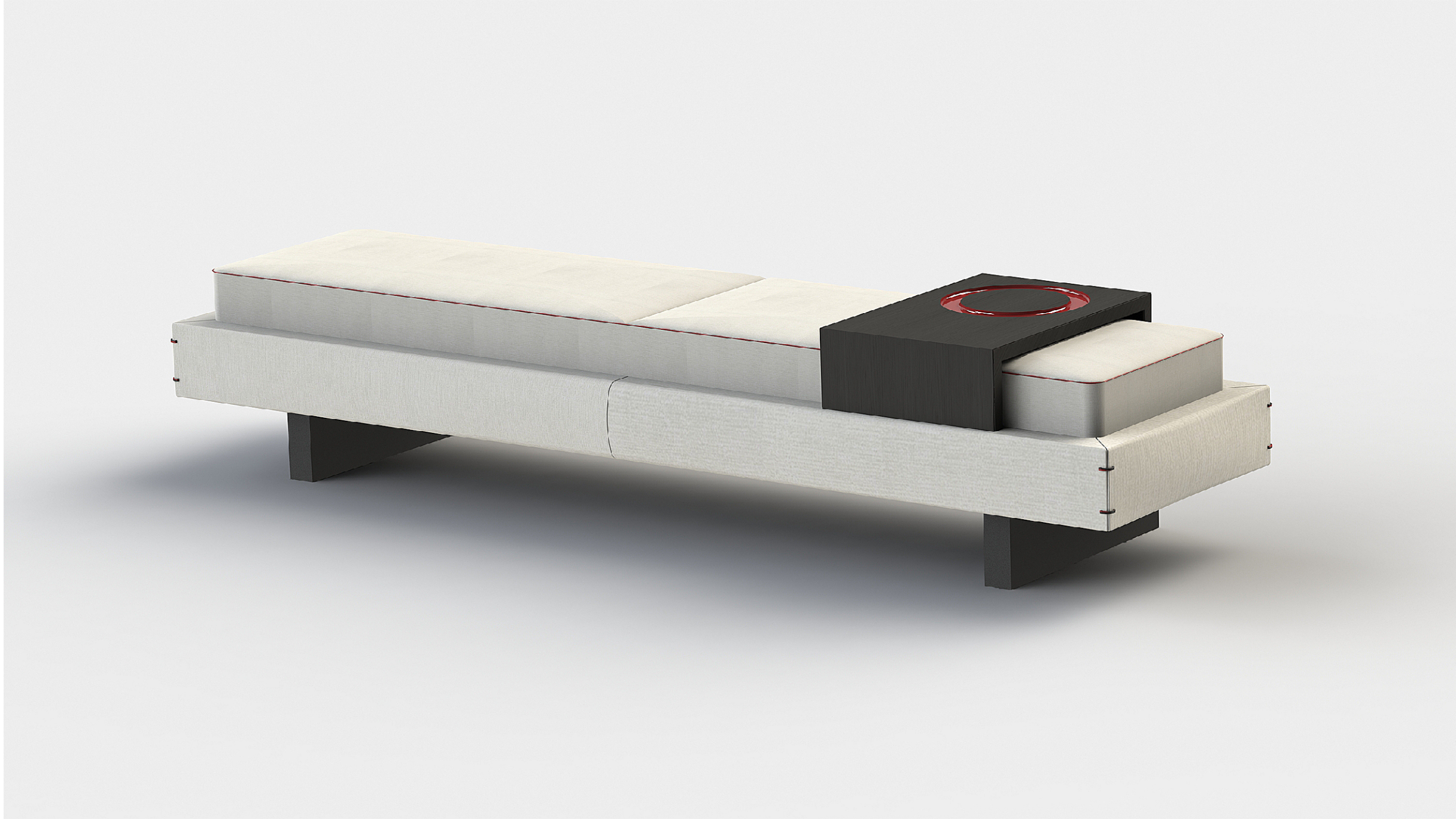
STUDIO MUNGE
Y
E
M
D
C
B
A
Y

1 2 3 4 5 6

FOR DESIGN INTENT ONLY

DRAWING ARE NOT TO BE SCALED. CONTRACTOR MUST CHECK AND VERIFY ALL JOB DIMENSIONS, DRAWINGS, DETAILS AND SPECIFICATIONS; AND REPORT ANY DISCREPANCIES TO DESIGNER BEFORE PROCEEDING WITH WORK.

-REV/	-ISSUED FOR	-DATE



**STUDIO
MUNGE**
25 WINGOLD AVENUE
TORONTO, ONTARIO
M6B 1P8 CANADA
416.588.1668
STUDIOMUNGE.COM

-SCALE
AS NOTED

-DATE
10/17/17

-DRAWN BY
AM

-CHECKED BY

-PROJECT NAME

SHANGRILA NANNING

-DRAWING TITLE

SG-XX
BENCH AT BED

-PROJECT NUMBER
16108

-DRAWING NUMBER
2 / 3

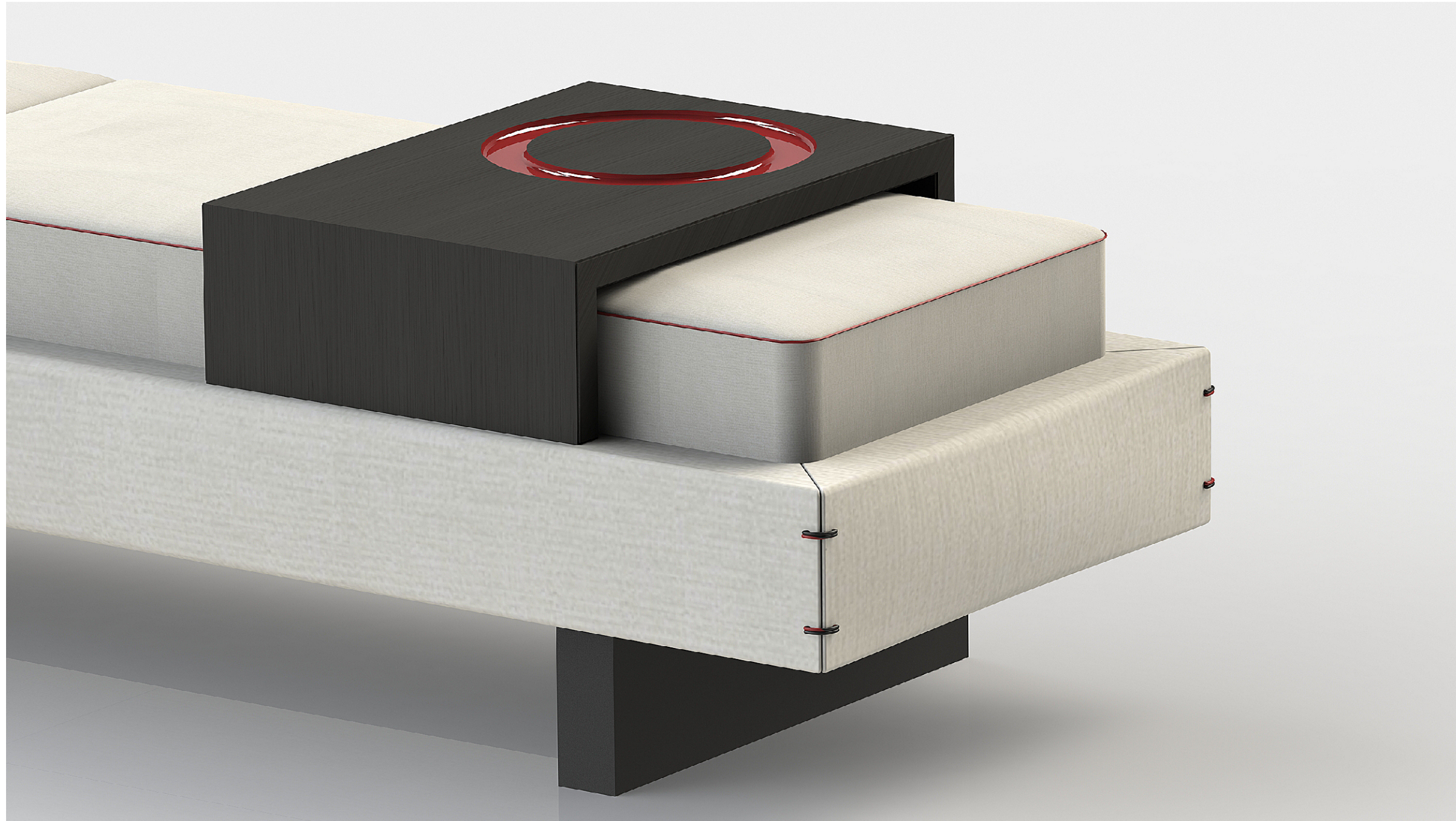
4 | SG-XX | BENCH AT BED
NTS | RENDERED VIEW

1 2 3 4 5 6

FOR DESIGN INTENT ONLY

DRAWING ARE NOT TO BE SCALED. CONTRACTOR MUST CHECK AND VERIFY ALL JOB DIMENSIONS, DRAWINGS, DETAILS AND SPECIFICATIONS; AND REPORT ANY DISCREPANCIES TO DESIGNER BEFORE PROCEEDING WITH WORK.

-REV/	-ISSUED FOR	-DATE



STUDIO MUNGE
 25 WINGOLD AVENUE
 TORONTO, ONTARIO
 M6B 1P8 CANADA
 416.588.1668
 STUDIOMUNGE.COM

-SCALE AS NOTED
-DATE 10/17/17

-DRAWN BY AM
-CHECKED BY

-PROJECT NAME
 SHANGRILA NANNING

-DRAWING TITLE
 SG-XX
 BENCH AT BED

-PROJECT NUMBER
 16108

-DRAWING NUMBER
 3 / 3

5 | SG-XX | BENCH AT BED
 NTS | RENDERED VIEW