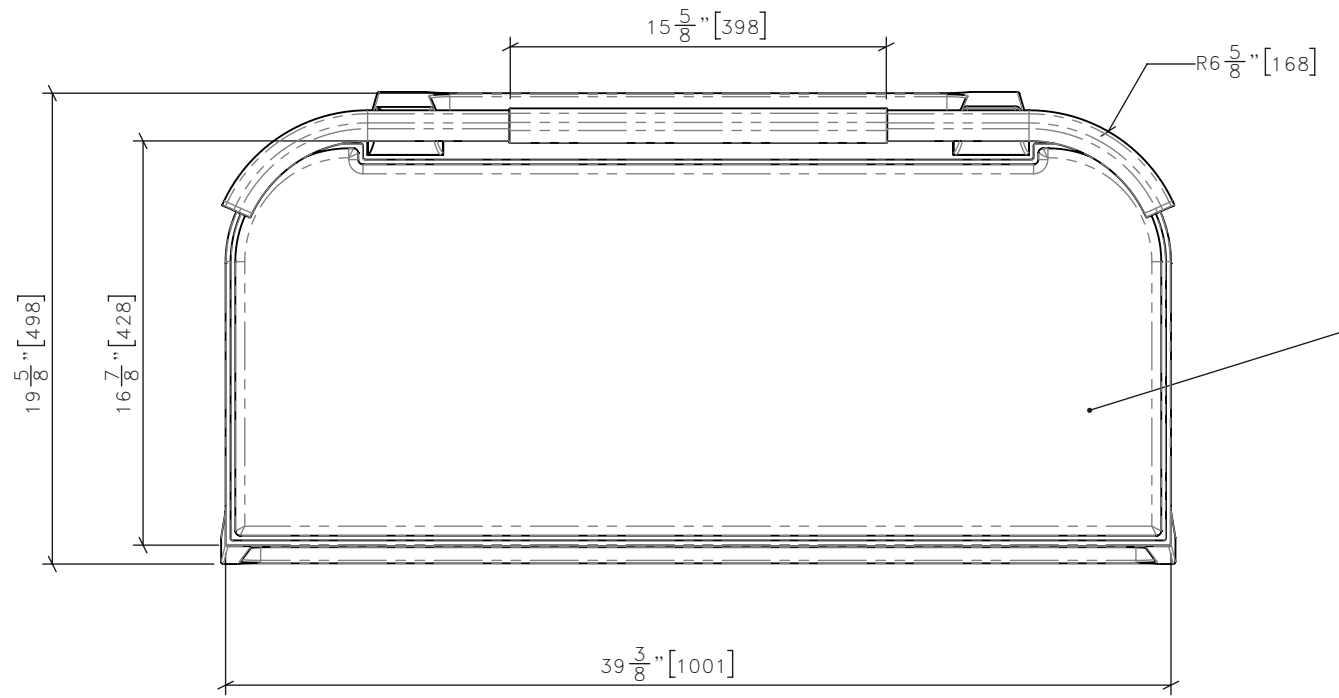


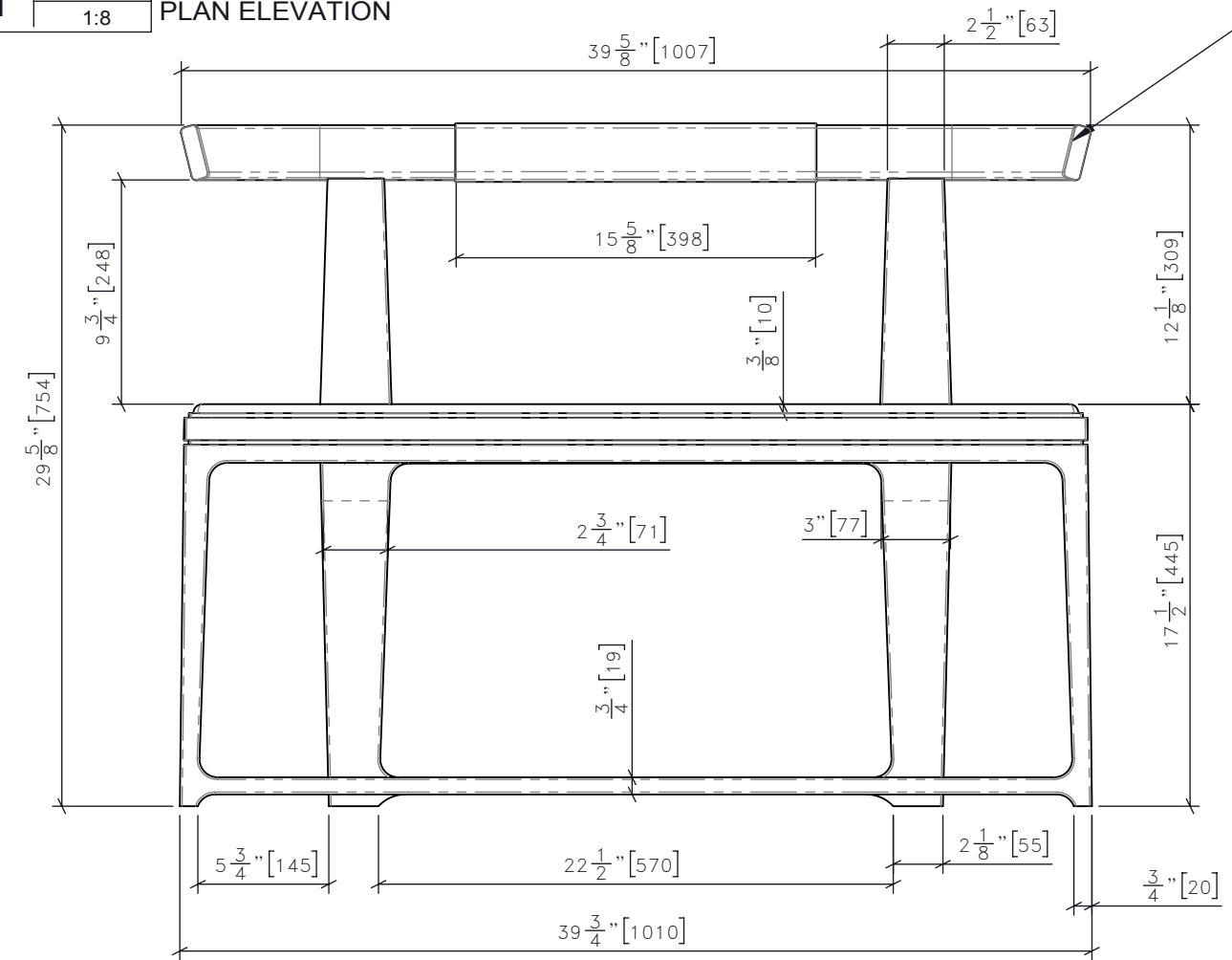
FOR DESIGN INTENT ONLY

DRAWING ARE NOT TO BE SCALED. CONTRACTOR MUST CHECK AND VERIFY ALL JOB DIMENSIONS, DRAWINGS, DETAILS AND SPECIFICATIONS, AND REPORT ANY DISCREPANCIES TO DESIGNER BEFORE PROCEEDING WITH WORK.

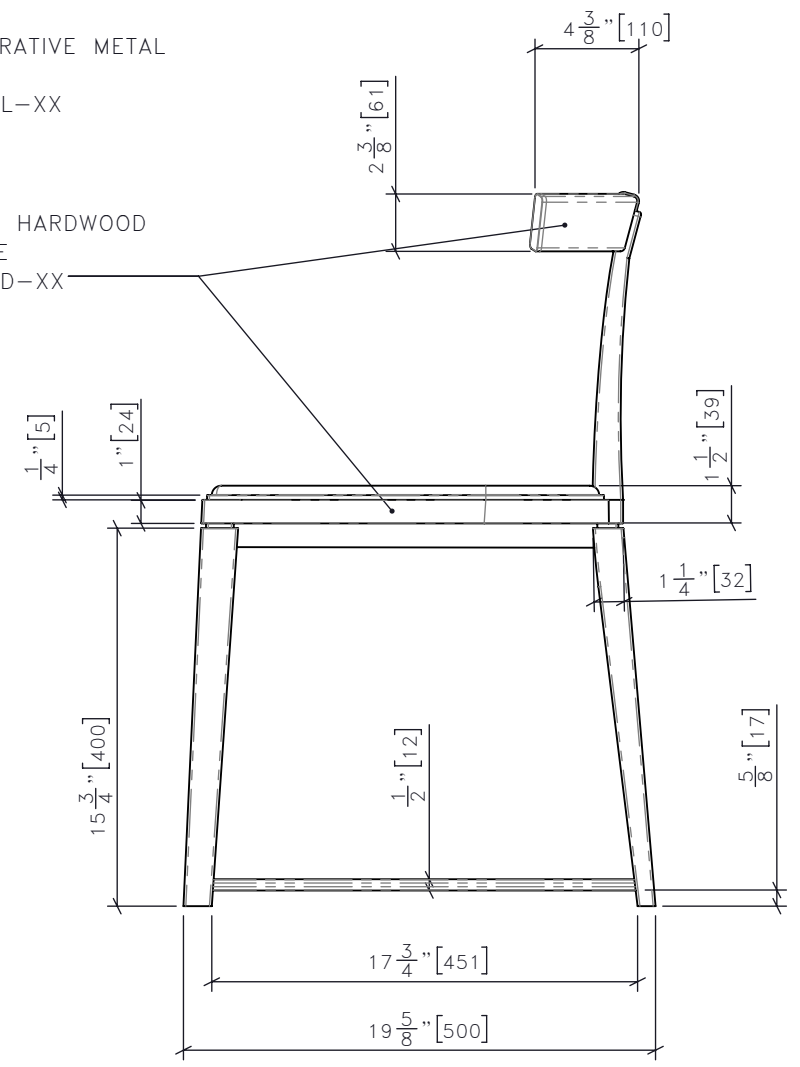
REV	ISSUED FOR	DATE



1 | SG-XX | BENCH AT DESK
1:8 | PLAN ELEVATION



2 | SG-XX | BENCH AT DESK
1:8 | FRONT ELEVATION



3 | SG-XX | BENCH AT DESK
1:8 | SIDE ELEVATION

STUDIO MUNGE

25 WINGOLD AVENUE
TORONTO, ONTARIO
M6B 1P8 CANADA
416.588.1668
STUDIOMUNGE.COM

-SCALE
AS NOTED

-DATE
11/14/17

-DRAWN BY
RC

-CHECKED BY

-PROJECT NAME

SHANGRI-LA NANNING

-DRAWING TITLE

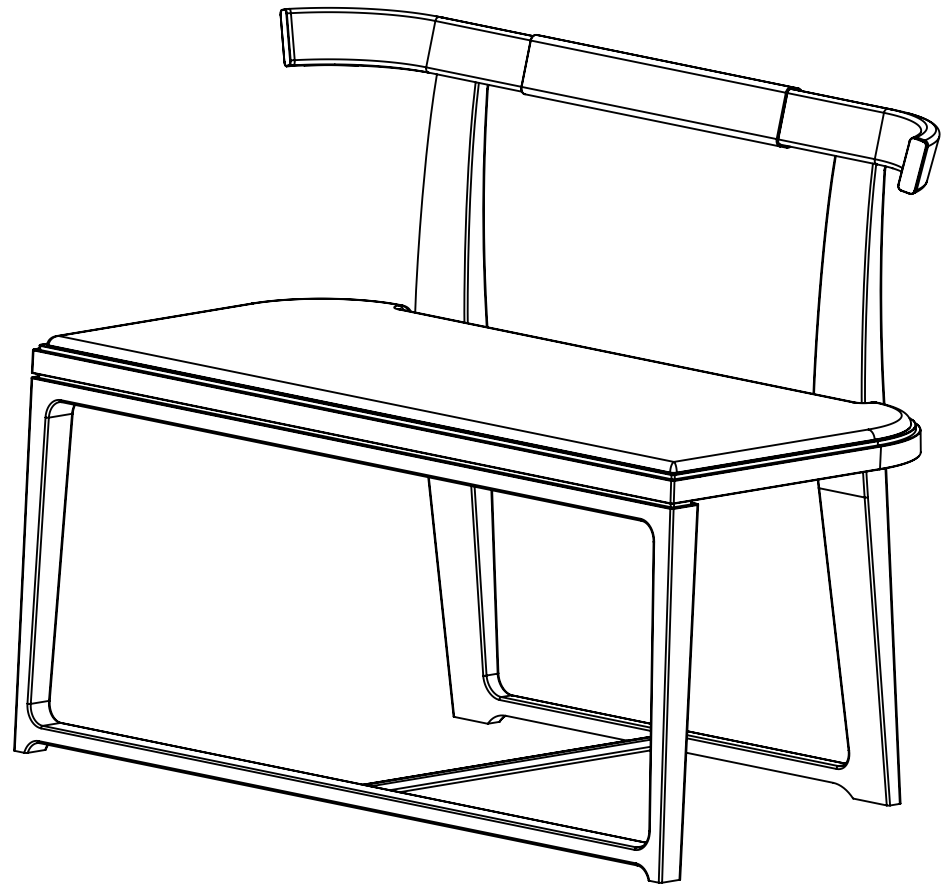
SG-XX
BENCH AT DESK

-PROJECT NUMBER
16108

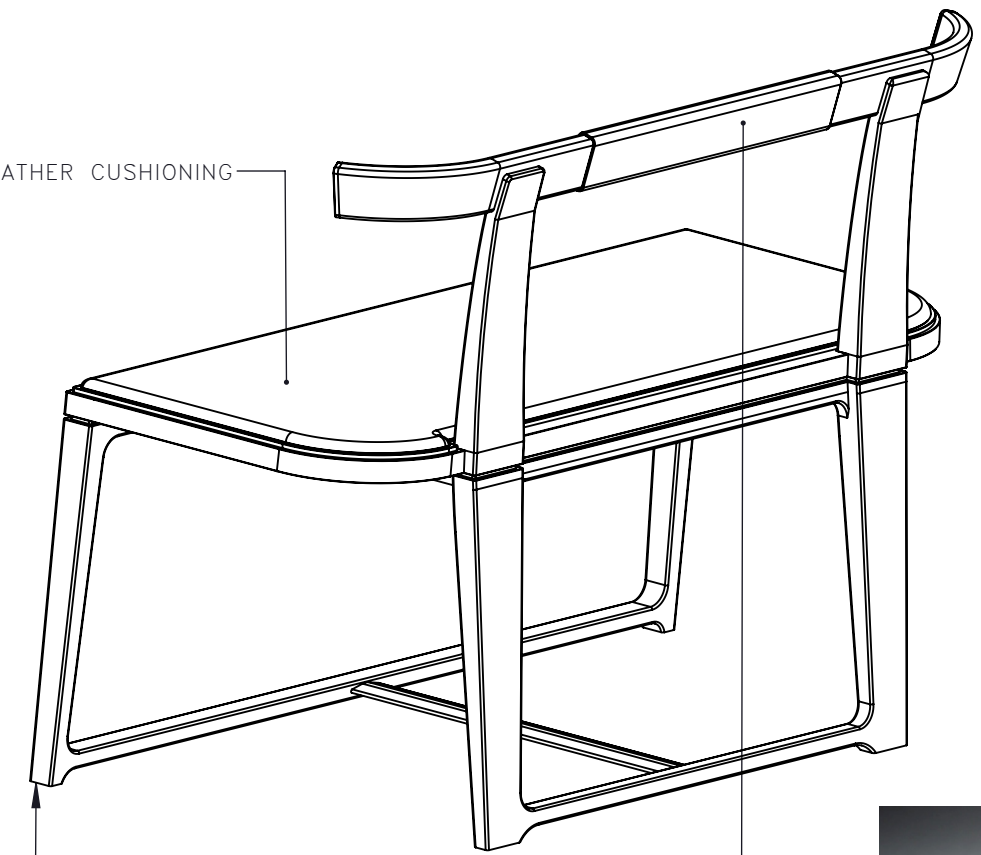
-DRAWING NUMBER
1 / 4

FOR DESIGN INTENT ONLY

RENDER OF JOINERY DETAIL, METAL CAP, AND WRAPPING



LEATHER CUSHIONING



ADD GLIDES AS NEEDED

LEATHER WRAPPING IN TRADITIONAL CHINESE WEAVE STYLE

MATERIAL TO MATCH CUSHIONING



DRAWING ARE NOT TO BE SCALED. CONTRACTOR MUST CHECK AND VERIFY ALL JOB DIMENSIONS, DRAWINGS, DETAILS AND SPECIFICATIONS; AND REPORT ANY DISCREPANCIES TO DESIGNER BEFORE PROCEEDING WITH WORK.

REV	ISSUED FOR	DATE

STUDIO MUNGE
 25 WINGOLD AVENUE
 TORONTO, ONTARIO
 M6B 1P8 CANADA
 416.588.1668
 STUDIOMUNGE.COM

SCALE AS NOTED
DATE 11/14/17

DRAWN BY RC
CHECKED BY

PROJECT NAME

SHANGRI-LA NANNING

DRAWING TITLE

SG-XX
BENCH AT DESK

PROJECT NUMBER 16108
DRAWING NUMBER

2 / 4

4 SG-XX BENCH AT DESK
 1:8 ISOMETRIC FRONT

5 SG-XX BENCH AT DESK
 1:8 ISOMETRIC REAR

STUDIO MUNGE
E
D
C
B
A
Y

FOR DESIGN INTENT ONLY

DRAWING ARE NOT TO BE SCALED. CONTRACTOR MUST CHECK AND VERIFY ALL JOB DIMENSIONS, DRAWINGS, DETAILS AND SPECIFICATIONS; AND REPORT ANY DISCREPANCIES TO DESIGNER BEFORE PROCEEDING WITH WORK.

REV	ISSUED FOR	DATE



STUDIO MUNGE
25 WINGOLD AVENUE
TORONTO, ONTARIO
M6B 1P8 CANADA
416.588.1668
STUDIOMUNGE.COM

-SCALE
AS NOTED

-DATE
11/14/17

-DRAWN BY
RC

-CHECKED BY

-PROJECT NAME

SHANGRI-LA NANNING

-DRAWING TITLE

SG-XX
BENCH AT DESK

-PROJECT NUMBER
16108

-DRAWING NUMBER
3 / 4

6 | SG-XX | BENCH AT DESK
NTS | RENDERED VIEW

STUDIO MUNGE
E
M
D
C
B
A
Y

1 2 3 4 5 6

FOR DESIGN INTENT ONLY

DRAWING ARE NOT TO BE SCALED. CONTRACTOR MUST CHECK AND VERIFY ALL JOB DIMENSIONS, DRAWINGS, DETAILS AND SPECIFICATIONS; AND REPORT ANY DISCREPANCIES TO DESIGNER BEFORE PROCEEDING WITH WORK.

REV	ISSUED FOR	DATE



**STUDIO
MUNGE**
25 WINGOLD AVENUE
TORONTO, ONTARIO
M6B 1P8 CANADA
416.588.1668
STUDIOMUNGE.COM

SCALE AS NOTED
DATE 11/14/17

DRAWN BY RC
CHECKED BY

PROJECT NAME
SHANGRI-LA NANNING

DRAWING TITLE
SG-XX
BENCH AT DESK

PROJECT NUMBER
16108

DRAWING NUMBER
4 / 4

7 | SG-XX | BENCH AT DESK
NTS | | RENDERED VIEW

1 2 3 4 5 6