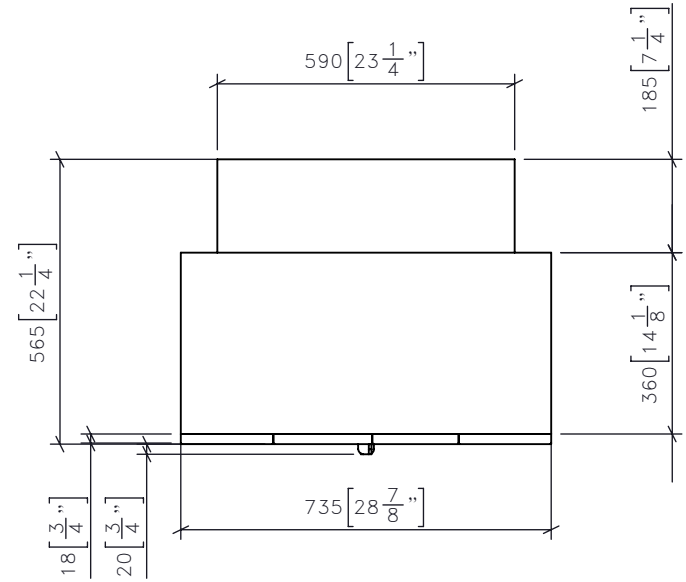


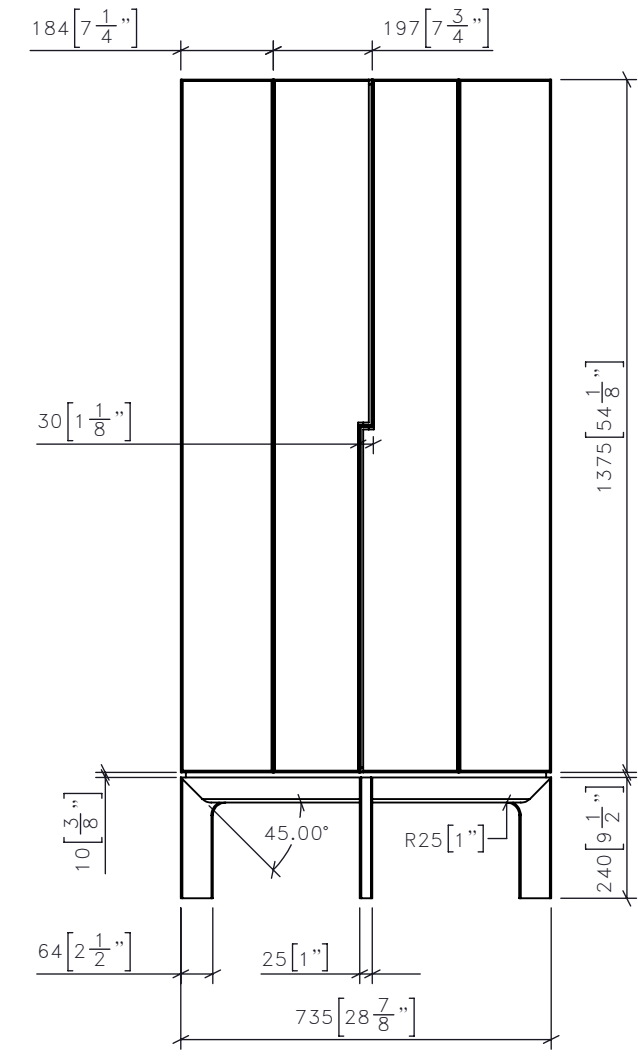
FOR DESIGN INTENT ONLY

DRAWING ARE NOT TO BE SCALED. CONTRACTOR MUST CHECK AND VERIFY ALL JOB DIMENSIONS, DRAWINGS, DETAILS AND SPECIFICATIONS, AND REPORT ANY DISCREPANCIES TO DESIGNER BEFORE PROCEEDING WITH WORK.

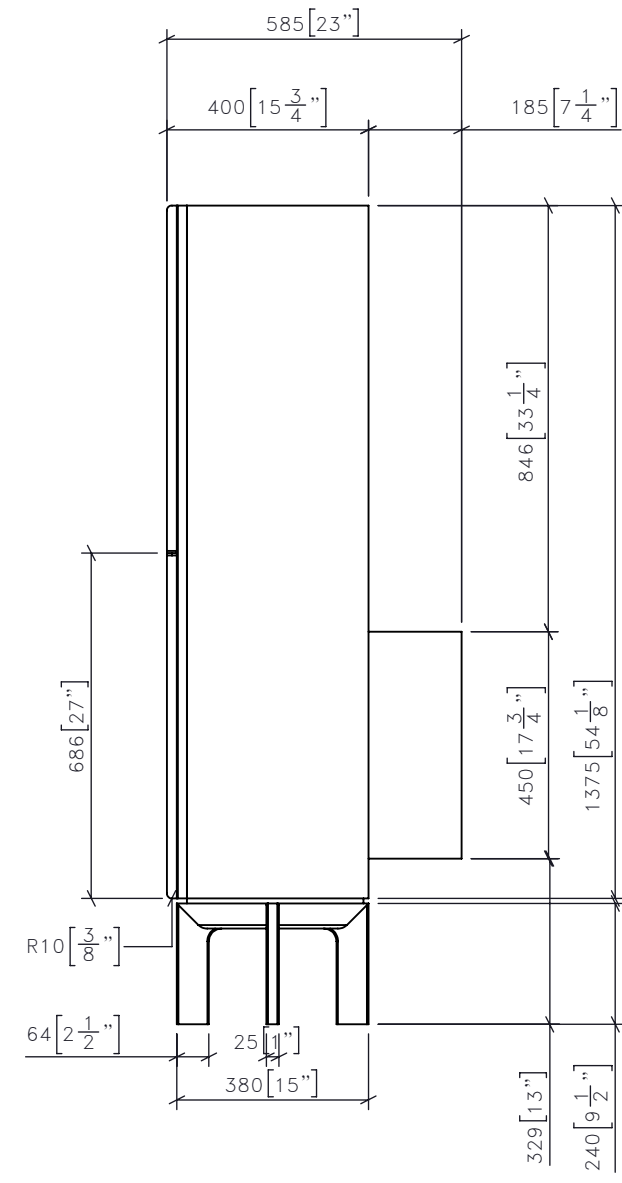
REV	ISSUED FOR	DATE



1 | CG-XX
1:15 | **MINIBAR AMOIRE
PLAN**



2 | CG-XX
1:15 | **MINIBAR AMOIRE
PLAN**



3 | CG-XX
1:15 | **MINIBAR AMOIRE
PLAN**

**STUDIO
MUNGE** 25 WINGOLD AVENUE
TORONTO, ONTARIO
M6B 1P8 CANADA
416.588.1668
STUDIOMUNGE.COM

SCALE AS NOTED **DATE** 11/17/17

DRAWN BY LS **CHECKED BY**

PROJECT NAME
SHANGRI-LA NANNING

DRAWING TITLE

CG-XX
MINIBAR AMOIRE

PROJECT NUMBER
16108

DRAWING NUMBER
1 / 7

FOR DESIGN INTENT ONLY

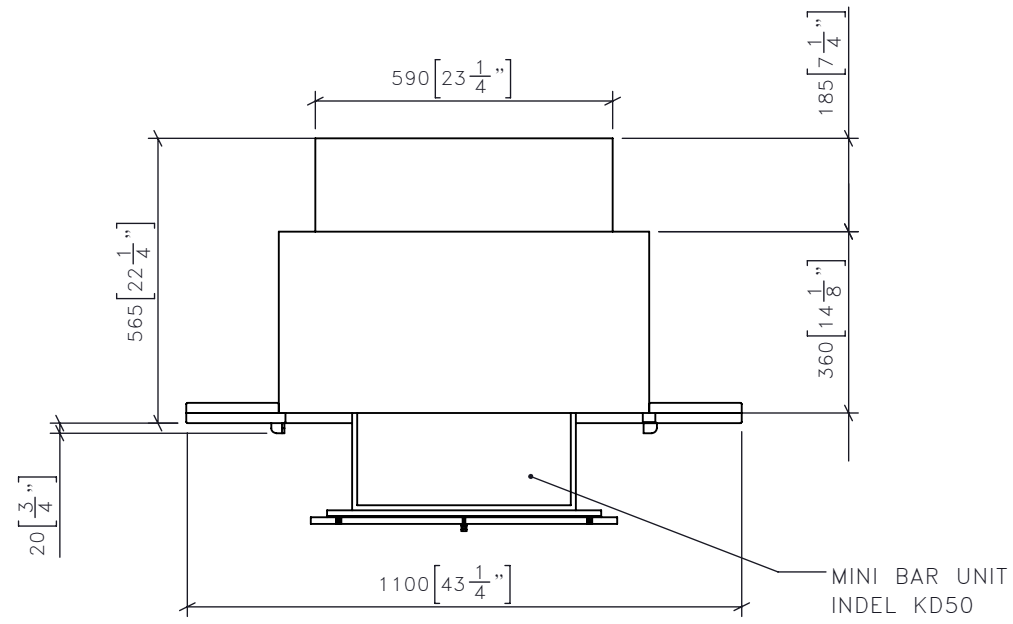
DRAWING ARE NOT TO BE SCALED. CONTRACTOR MUST CHECK AND VERIFY ALL JOB DIMENSIONS, DRAWINGS, DETAILS AND SPECIFICATIONS, AND REPORT ANY DISCREPANCIES TO DESIGNER BEFORE PROCEEDING WITH WORK.

REV	ISSUED FOR	DATE

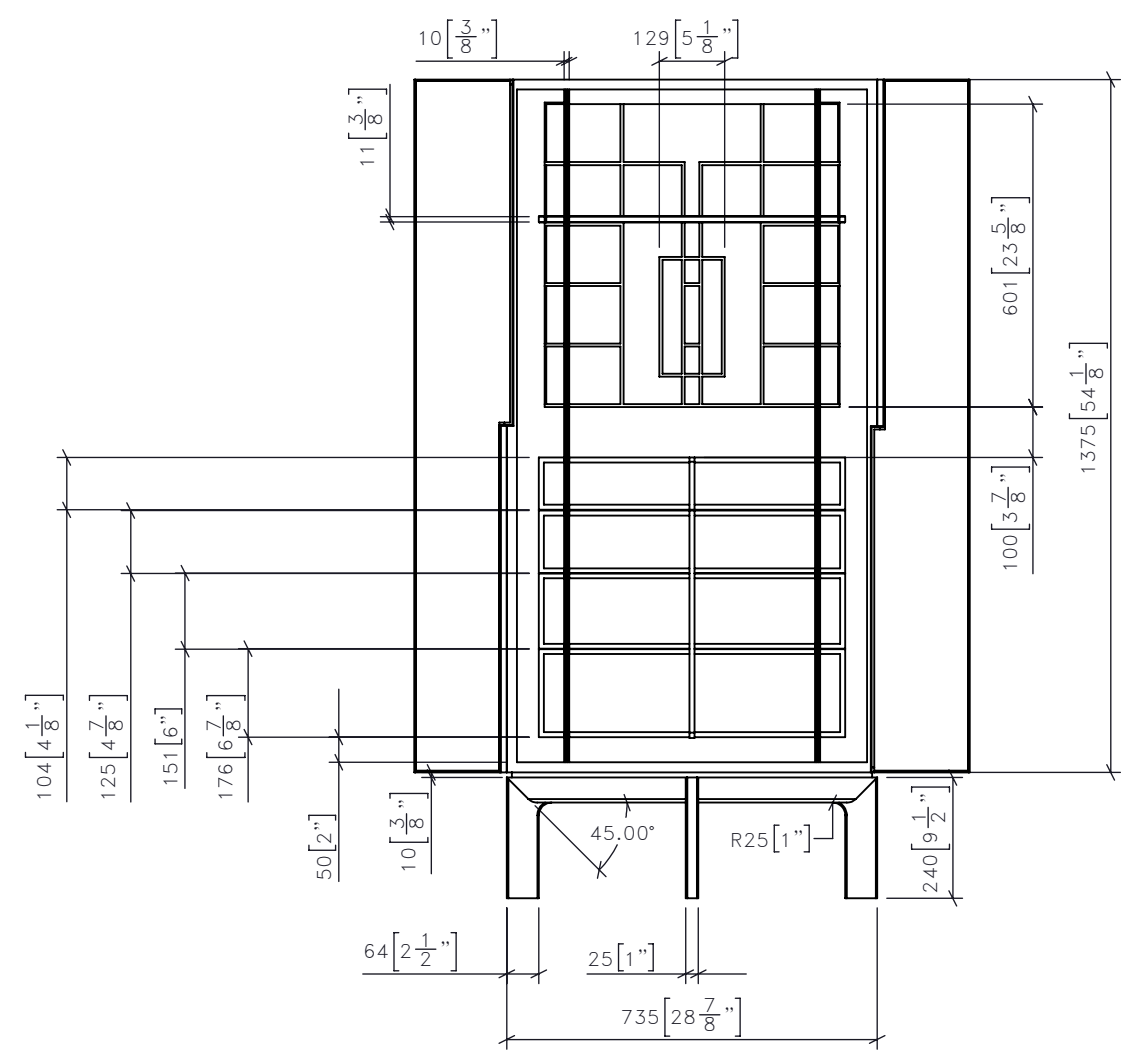
STUDIO MUNGE
 25 WINGOLD AVENUE
 TORONTO, ONTARIO
 M6B 1P8 CANADA
 416.588.1668
 STUDIOMUNGE.COM

SCALE AS NOTED	DATE 11/17/17
DRAWN BY LS	CHECKED BY
PROJECT NAME SHANGRI-LA NANNING	
DRAWING TITLE CG-XX MINIBAR AMOIRE	
PROJECT NUMBER 16108	
DRAWING NUMBER 2 / 7	

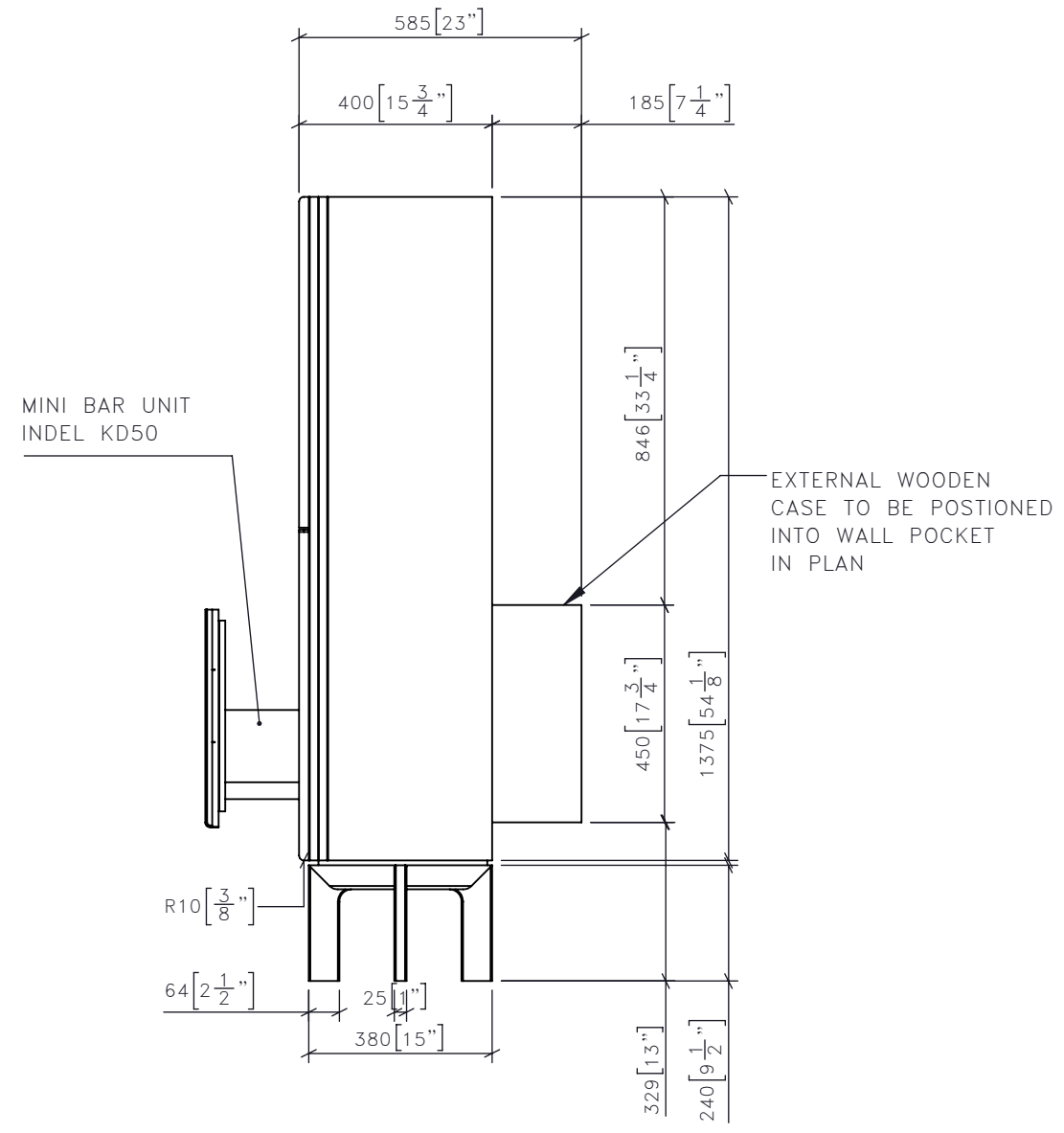
4 CG-XX 1:15 **MINIBAR AMOIRE PLAN**



5 CG-XX 1:15 **MINIBAR AMOIRE PLAN**



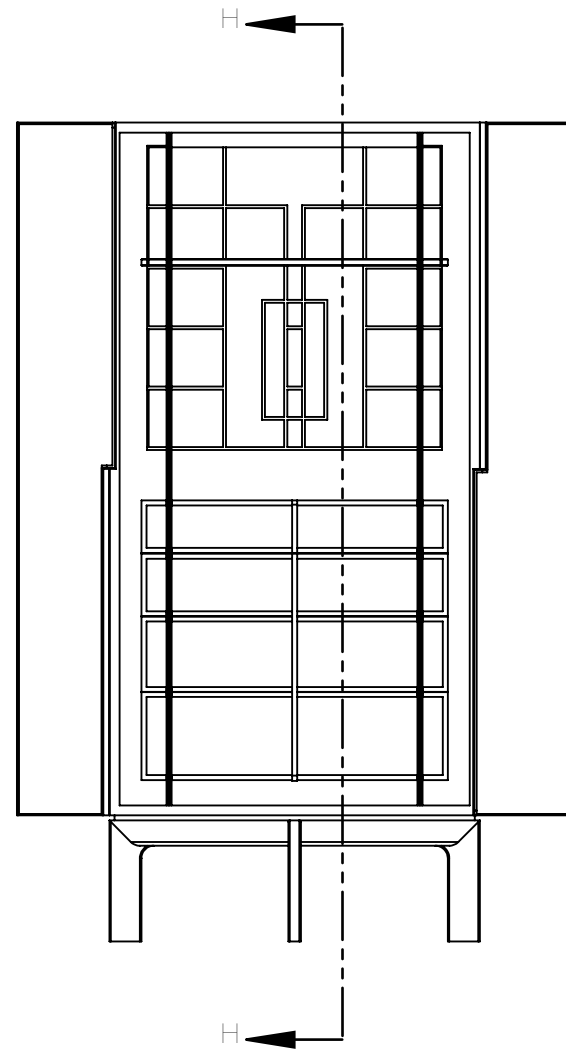
6 CG-XX 1:15 **MINIBAR AMOIRE PLAN**



FOR DESIGN INTENT ONLY

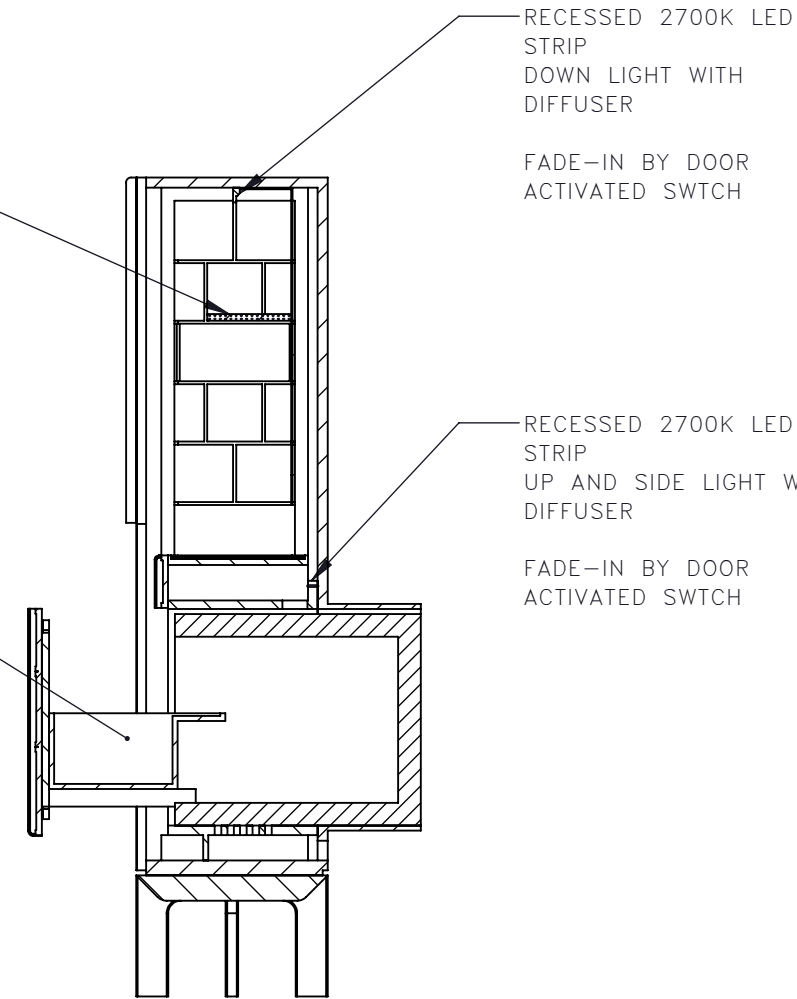
DRAWING ARE NOT TO BE SCALED. CONTRACTOR MUST CHECK AND VERIFY ALL JOB DIMENSIONS, DRAWINGS, DETAILS AND SPECIFICATIONS; AND REPORT ANY DISCREPANCIES TO DESIGNER BEFORE PROCEEDING WITH WORK.

REV#	ISSUED FOR	DATE



FF-GL-XX
3/8" SMOKED
GLASS SHELF

MINI BAR UNIT
INDEL KD50



RECESSED 2700K LED
STRIP
DOWN LIGHT WITH
DIFFUSER

FADE-IN BY DOOR
ACTIVATED SWTCH

RECESSED 2700K LED
STRIP
UP AND SIDE LIGHT WITH
DIFFUSER

FADE-IN BY DOOR
ACTIVATED SWTCH

7	CG-XX	MINIBAR AMOIRE FRONT ELEVATION
	1:15	

8	CG-XX	MINIBAR AMOIRE SECTION A
	1:15	

**STUDIO
MUNGE**

25 WINGOLD AVENUE
TORONTO, ONTARIO
M6B 1P8 CANADA
416.588.1668
STUDIOMUNGE.COM

SCALE AS NOTED	DATE 11/17/17
--------------------------	-------------------------

DRAWN BY LS	CHECKED BY
-----------------------	-------------------

PROJECT NAME

SHANGRI-LA NANNING

DRAWING TITLE

CG-XX
MINIBAR AMOIRE

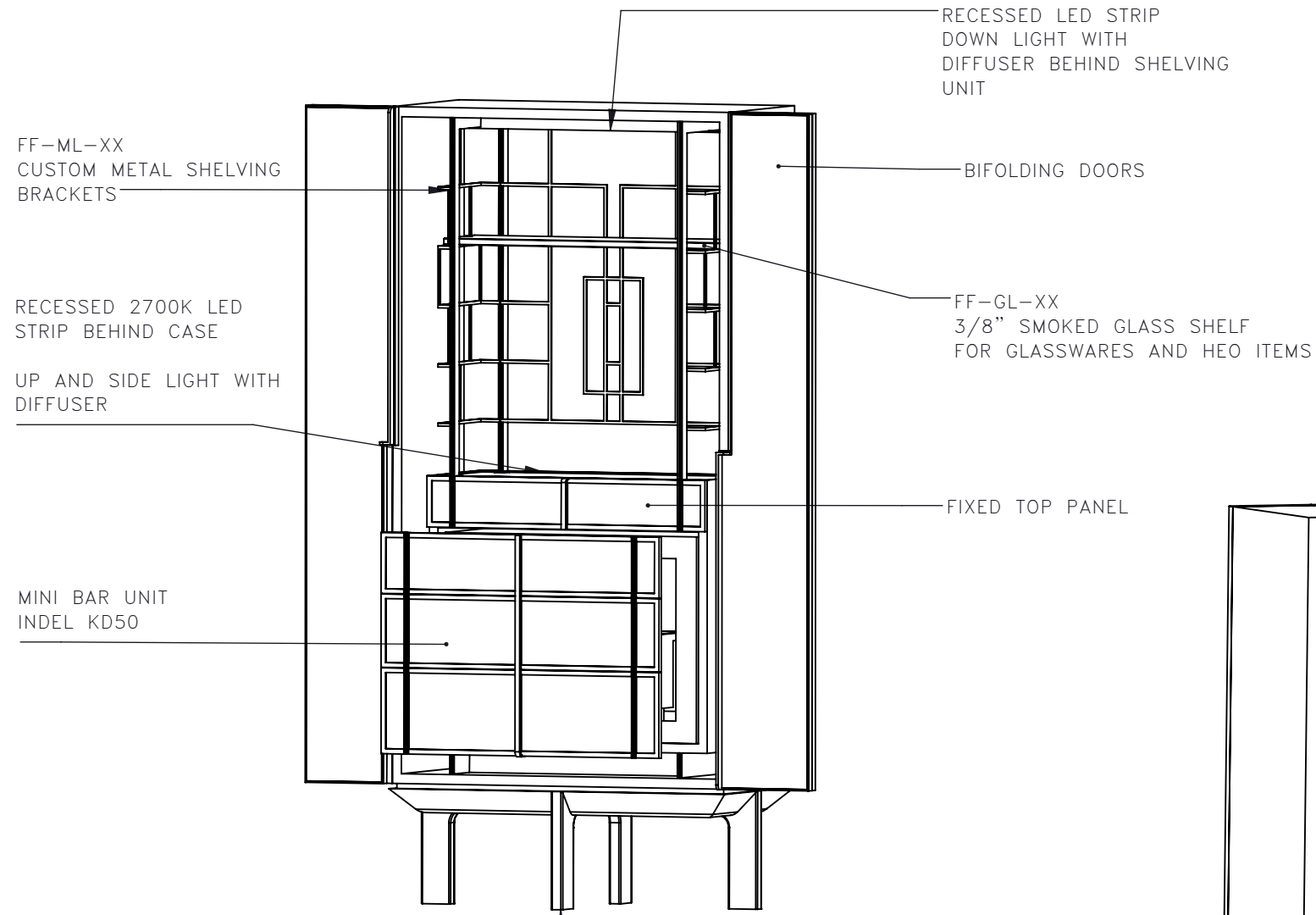
PROJECT NUMBER
16108

DRAWING NUMBER
3 / 7

FOR DESIGN INTENT ONLY

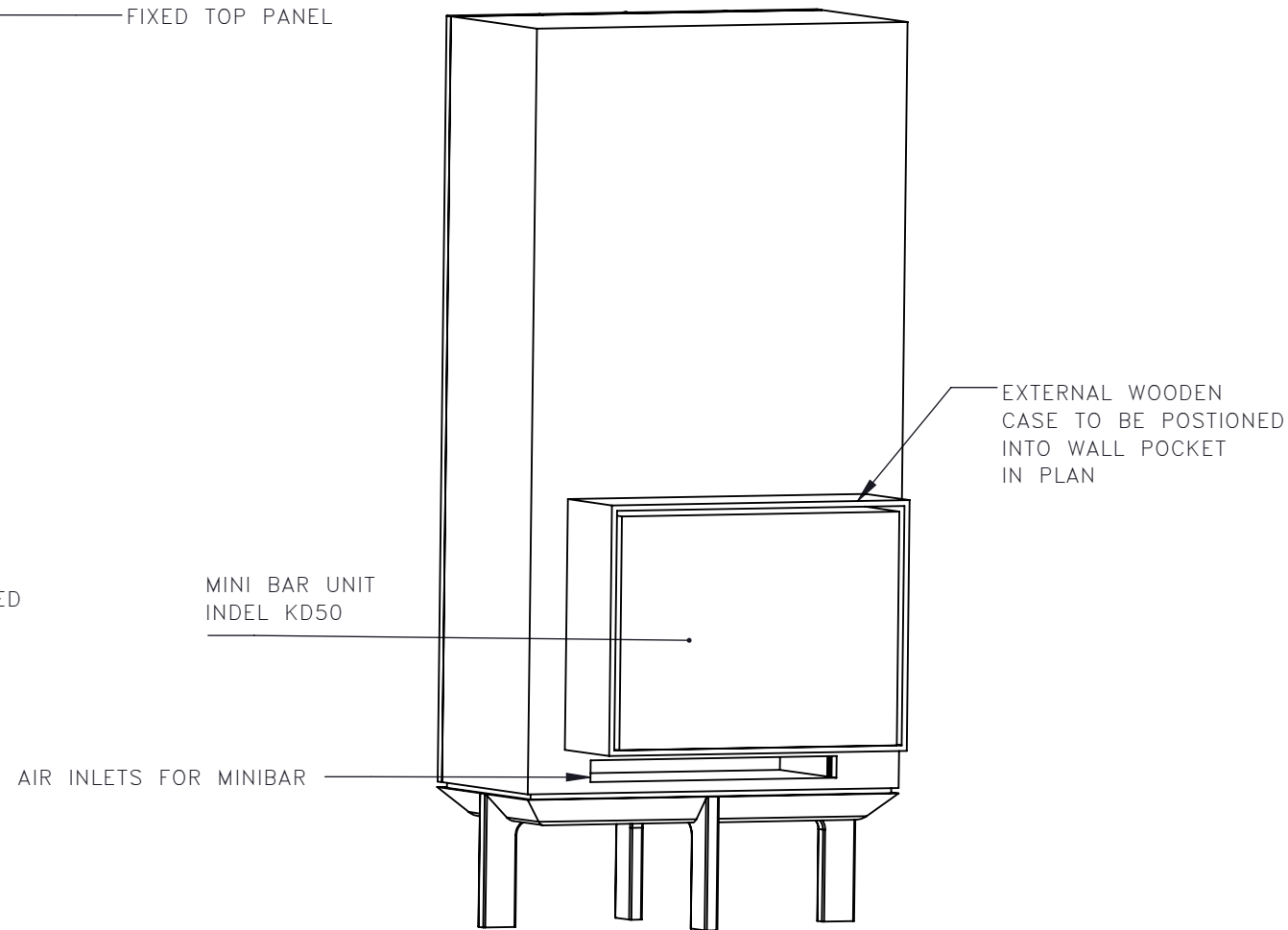
DRAWING ARE NOT TO BE SCALED. CONTRACTOR MUST CHECK AND VERIFY ALL JOB DIMENSIONS, DRAWINGS, DETAILS AND SPECIFICATIONS; AND REPORT ANY DISCREPANCIES TO DESIGNER BEFORE PROCEEDING WITH WORK.

REV	ISSUED FOR	DATE



9 CG-XX 1:15 MINIBAR AMOIRE PLAN

ADD GLIDES AS NEEDED



10 CG-XX 1:15 MINIBAR AMOIRE PLAN

STUDIO MUNGE
 25 WINGOLD AVENUE
 TORONTO, ONTARIO
 M6B 1P8 CANADA
 416.588.1668
 STUDIOMUNGE.COM

SCALE AS NOTED DATE 11/17/17

DRAWN BY LS CHECKED BY

PROJECT NAME SHANGRI-LA NANNING

DRAWING TITLE CG-XX MINIBAR AMOIRE

PROJECT NUMBER 16108

DRAWING NUMBER 4 / 7

STUDIO MUNGE
Y
E
M
D
C
B
A
Y

FOR DESIGN INTENT ONLY

DRAWING ARE NOT TO BE SCALED. CONTRACTOR MUST CHECK AND VERIFY ALL JOB DIMENSIONS, DRAWINGS, DETAILS AND SPECIFICATIONS; AND REPORT ANY DISCREPANCIES TO DESIGNER BEFORE PROCEEDING WITH WORK.

REV	ISSUED FOR	DATE



STUDIO MUNGE
25 WINGOLD AVENUE
TORONTO, ONTARIO
M6B 1P8 CANADA
416.588.1668
STUDIOMUNGE.COM

SCALE AS NOTED
DATE 11/17/17

DRAWN BY LS
CHECKED BY

PROJECT NAME
SHANGRI-LA NANNING

DRAWING TITLE
CG-XX
MINIBAR AMOIRE

PROJECT NUMBER
16108

DRAWING NUMBER
5 / 7

11 | CG-XX | MINIBAR AMOIRE
1:15 | RENDERED

STUDIO MUNGE
E
D
C
B
A
Y

FOR DESIGN INTENT ONLY

DRAWING ARE NOT TO BE SCALED. CONTRACTOR MUST CHECK AND VERIFY ALL JOB DIMENSIONS, DRAWINGS, DETAILS AND SPECIFICATIONS; AND REPORT ANY DISCREPANCIES TO DESIGNER BEFORE PROCEEDING WITH WORK.

REV.	ISSUED FOR	DATE



STUDIO MUNGE
25 WINGOLD AVENUE
TORONTO, ONTARIO
M6B 1P8 CANADA
416.588.1668
STUDIOMUNGE.COM

SCALE AS NOTED
DATE 11/17/17

DRAWN BY LS
CHECKED BY

PROJECT NAME
SHANGRI-LA NANNING

DRAWING TITLE
CG-XX
MINIBAR AMOIRE

PROJECT NUMBER
16108

DRAWING NUMBER
6 / 7

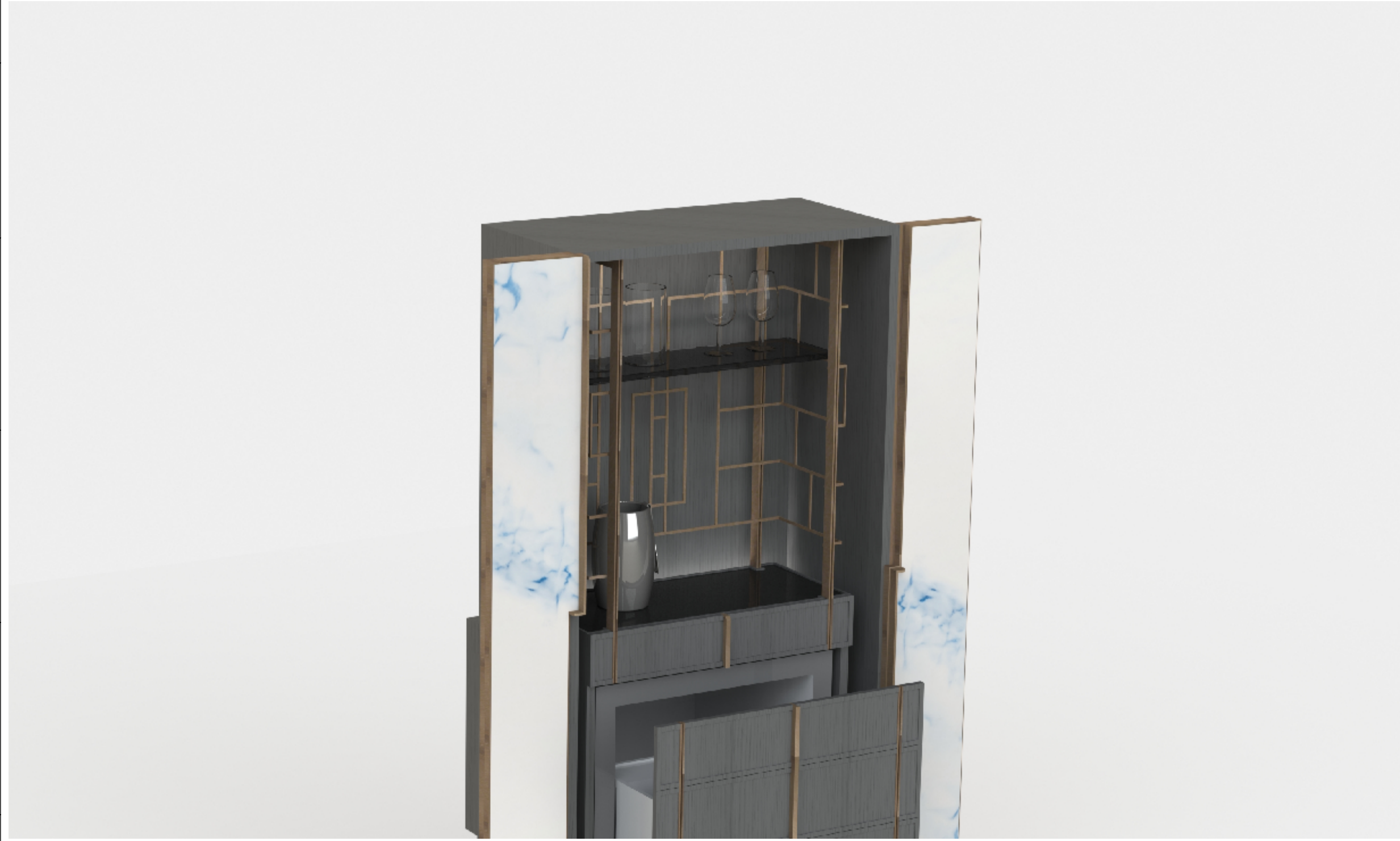
12 CG-XX 1:15 MINIBAR AMOIRE RENDERED

STUDIO MUNGE
E
D
C
B
A
Y

FOR DESIGN INTENT ONLY

DRAWING ARE NOT TO BE SCALED. CONTRACTOR MUST CHECK AND VERIFY ALL JOB DIMENSIONS, DRAWINGS, DETAILS AND SPECIFICATIONS; AND REPORT ANY DISCREPANCIES TO DESIGNER BEFORE PROCEEDING WITH WORK.

REV.	ISSUED FOR	DATE



**STUDIO
MUNGE**
25 WINGOLD AVENUE
TORONTO, ONTARIO
M6B 1P8 CANADA
416.588.1668
STUDIOMUNGE.COM

SCALE
AS NOTED

DATE
11/17/17

DRAWN BY
LS

CHECKED BY

PROJECT NAME

SHANGRI-LA NANNING

DRAWING TITLE

CG-XX
MINIBAR AMOIRE

PROJECT NUMBER
16108

DRAWING NUMBER
7 / 7

13 | CG-XX | MINIBAR AMOIRE
1:15 | RENDERED