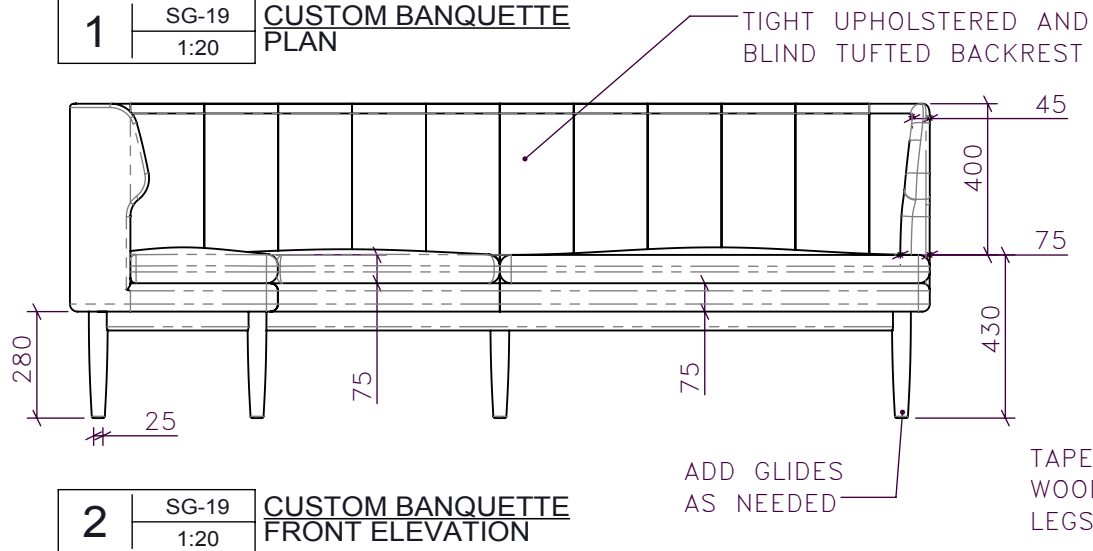


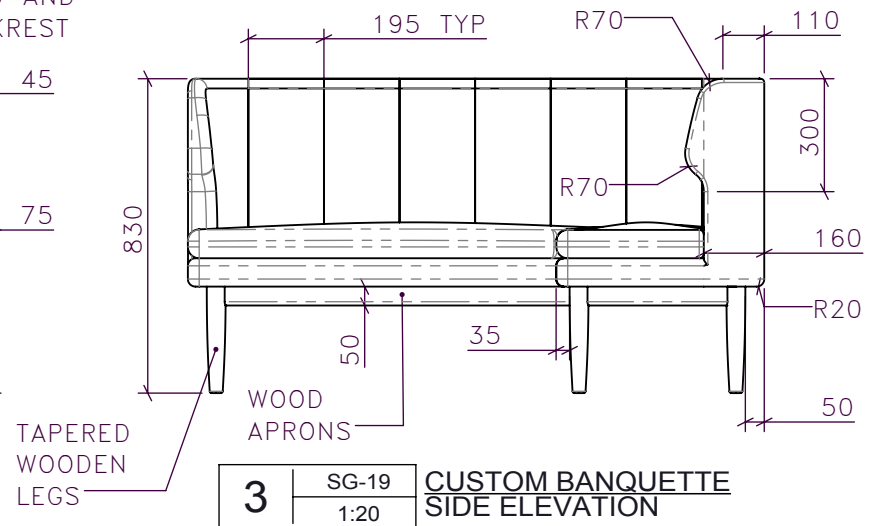
REFERENCE IMAGE FOR BLIND TUFTED BACK DETAIL



1 | SG-19 | **CUSTOM BANQUETTE PLAN**
1:20

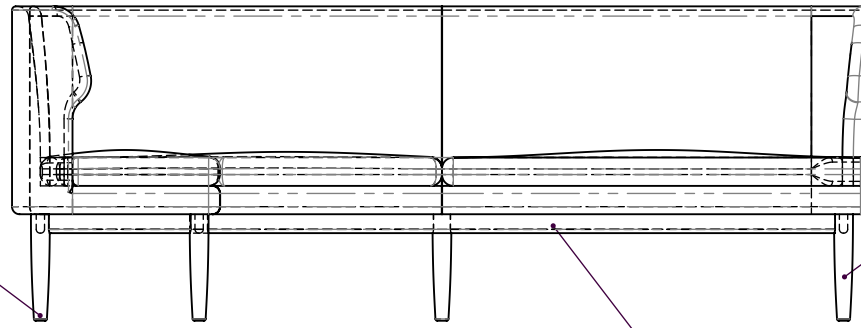


2 | SG-19 | **CUSTOM BANQUETTE FRONT ELEVATION**
1:20



3 | SG-19 | **CUSTOM BANQUETTE SIDE ELEVATION**
1:20

EASE EDGES ON
LEG BOTTOMS



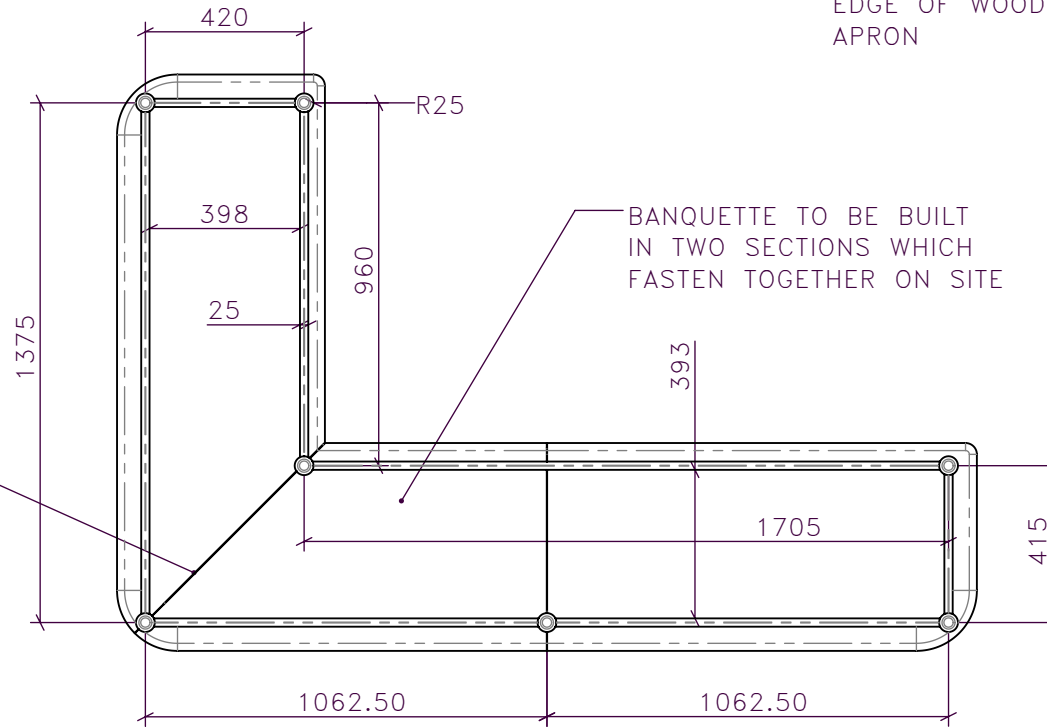
TURNED WOODEN
LEGS TAPER FROM
50MM AT TOP
TO 35MM AT
BOTTOM

4

SG-19
1:20

**CUSTOM BANQUETTE
FRONT ELEVATION**

10MM ROUTED
RADIUS ON BOTTOM
EDGE OF WOODEN
APRON



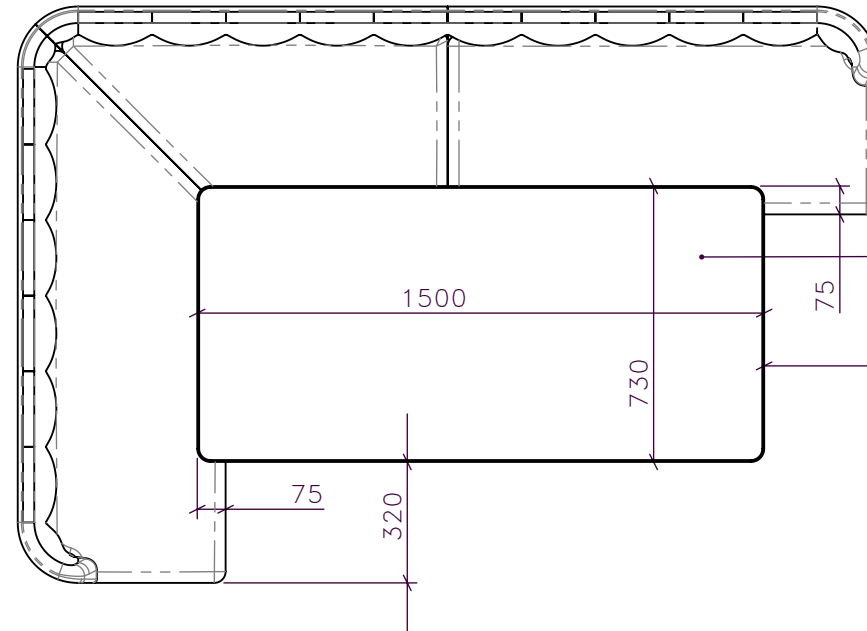
BANQUETTE TO BE BUILT
IN TWO SECTIONS WHICH
FASTEN TOGETHER ON SITE

DENOTES SEAM
LINE FOR
BANQUETTE SECTIONS

5

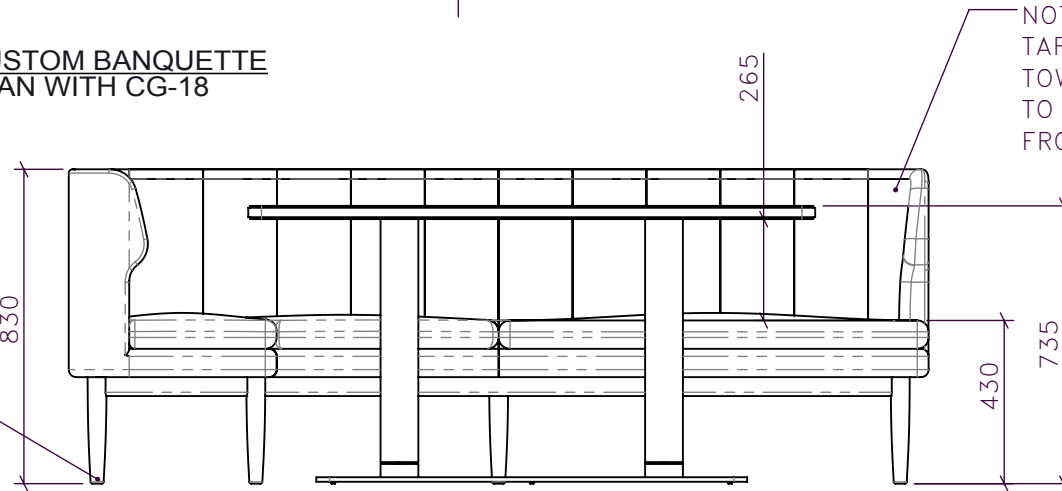
SG-19
1:20

**CUSTOM BANQUETTE
BOTTOM VIEW**



SEE DRAWING
CG-18 FOR
DETAIL OF DINING
TABLE

6 | SG-19
1:20 | CUSTOM BANQUETTE
PLAN WITH CG-18



NOTE BACKREST
TAPERS IN THICKNESS
TOWARDS TOP EDGE
TO CREATE BACK ANGLE
FROM 75MM TO 45MM

MANUFACTURER
TO ADD NYLON
GLIDES AS NEEDED

7 | SG-19
1:20 | CUSTOM BANQUETTE
FRONT ELEVATION WITH CG-18



8

SG-19
NTS

**CUSTOM BANQUETTE
RENDERED VIEW**

STUDIO
MUNGE

25 WINGOLD AVENUE
TORONTO, ONTARIO
M6B 1P8 CANADA
416.588.1688
STUDIOMUNGE.COM

project> DON MILLS SALES CENTER

project # 16119

date> ----

drawing> CUSTOM BANQUETTE

scale: 1:20

pages> 4/4

SG-19