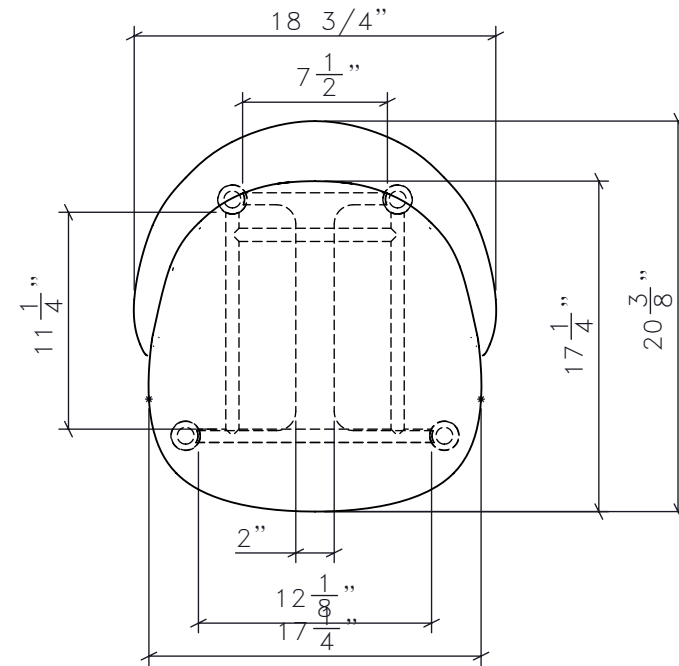
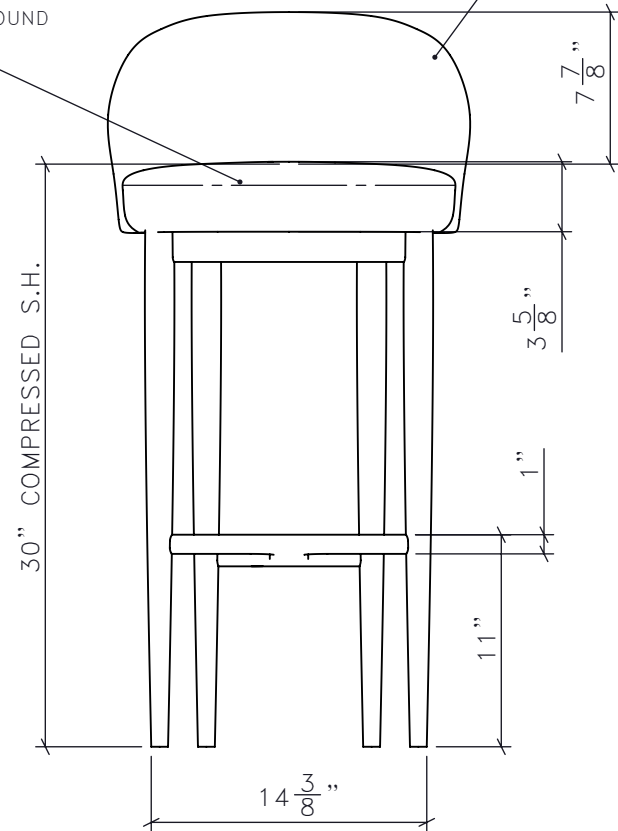


-REV/	-ISSUED FOR	-DATE



1 SG-15 KITCHEN BAR STOOL PLAN
1:10

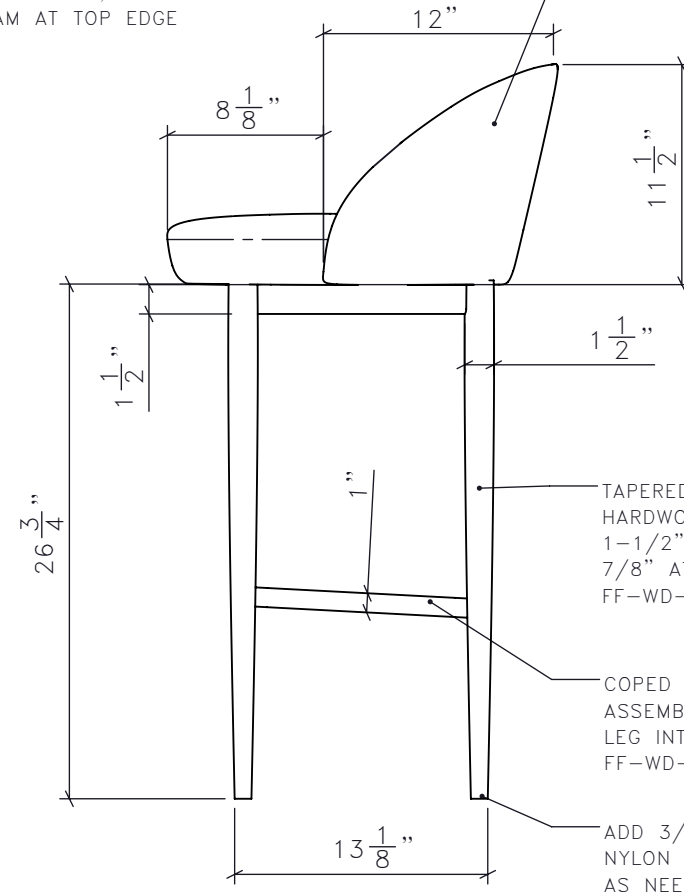
TIGHT UPHOLSTERED FIXED SEAT
BLIND STITCHED
3" BAND AROUND
SEAT EDGE
SGF-15



2 SG-15 KITCHEN BAR STOOL FRONT ELEVATION
1:10

5/8" TYP SHELL THICKNESS
1/2" PLYWOOD CORE, 1/2"
FIRM FOAM - WATERFALL
INSIDE EDGE, BLIND STITCH
SEAM AT TOP EDGE

TIGHT UPHOLSTERED
MOLDED PLYWOOD
FIXED BACK SHELL
SGF-15

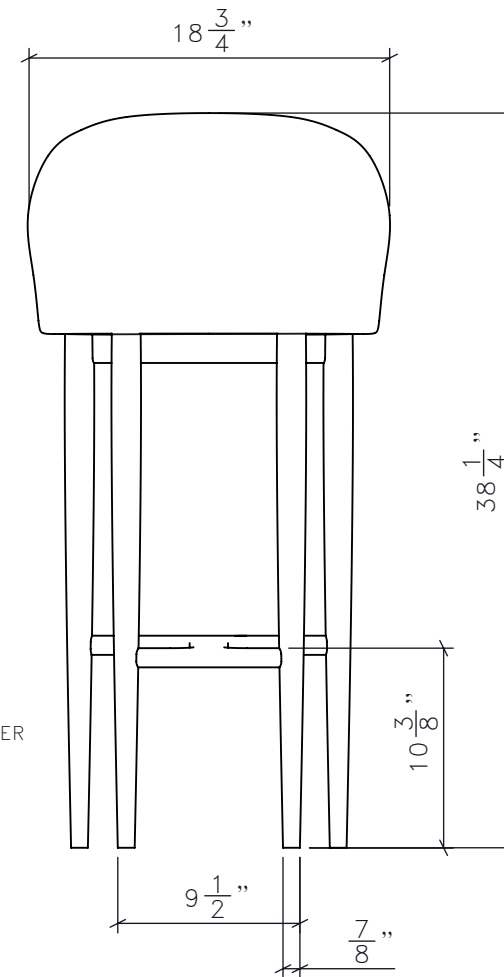


3 SG-15 KITCHEN BAR STOOL SIDE ELEVATION
1:10

TAPERED TURNED
HARDWOOD LEG
1-1/2" AT TOP
7/8" AT FOOT
FF-WD-02

COPED HARDWOOD STRETCHER
ASSEMBLY JOINS TO
LEG INTERIORS
FF-WD-02

ADD 3/4" O.D.
NYLON GLIDES
AS NEEDED



4 SG-15 KITCHEN BAR STOOL REAR ELEVATION
1:10

STUDIO MUNGE
25 WINGOLD AVENUE
TORONTO, ONTARIO
M6B 1P8 CANADA
416.588.1668
STUDIOMUNGE.COM

-SCALE AS NOTED -DATE 9/25/17

-DRAWN BY AM -CHECKED BY

-PROJECT NAME

15 CHARLES ST.

-DRAWING TITLE

SG-15 KITCHEN BAR STOOL

-PROJECT NUMBER 16113

-DRAWING NUMBER

1 / 3

STUDIO MUNGE
E
D
C
B
A
Y

FOR DESIGN INTENT ONLY

DRAWING ARE NOT TO BE SCALED. CONTRACTOR MUST CHECK AND VERIFY ALL JOB DIMENSIONS, DRAWINGS, DETAILS AND SPECIFICATIONS; AND REPORT ANY DISCREPANCIES TO DESIGNER BEFORE PROCEEDING WITH WORK.

-REV/	-ISSUED FOR	-DATE



**STUDIO
MUNGE**
25 WINGOLD AVENUE
TORONTO, ONTARIO
M6B 1P8 CANADA
416.588.1668
STUDIOMUNGE.COM

-SCALE
AS NOTED

-DATE
9/25/17

-DRAWN BY
AM

-CHECKED BY

-PROJECT NAME

15 CHARLES ST.

-DRAWING TITLE

SG-15
KITCHEN BAR STOOL

-PROJECT NUMBER
16113

-DRAWING NUMBER
2 / 3

5 | SG-15 | KITCHEN BAR STOOL
NTS | NTS | RENDERED VIEW

STUDIO MUNGE
Y
E
M
D
C
B
A
Y

FOR DESIGN INTENT ONLY

DRAWING ARE NOT TO BE SCALED. CONTRACTOR MUST CHECK AND VERIFY ALL JOB DIMENSIONS, DRAWINGS, DETAILS AND SPECIFICATIONS; AND REPORT ANY DISCREPANCIES TO DESIGNER BEFORE PROCEEDING WITH WORK.

-REV/	-ISSUED FOR	-DATE



**STUDIO
MUNGE**
25 WINGOLD AVENUE
TORONTO, ONTARIO
M6B 1P8 CANADA
416.588.1668
STUDIOMUNGE.COM

-SCALE AS NOTED	-DATE 9/25/17
-DRAWN BY AM	-CHECKED BY
-PROJECT NAME 15 CHARLES ST.	
-DRAWING TITLE SG-15 KITCHEN BAR STOOL	
-PROJECT NUMBER 16113	
-DRAWING NUMBER 3 / 3	

6	SG-15	KITCHEN BAR STOOL
	NTS	