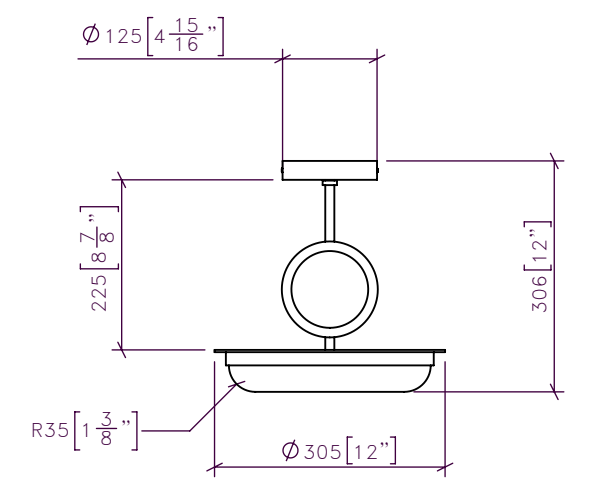
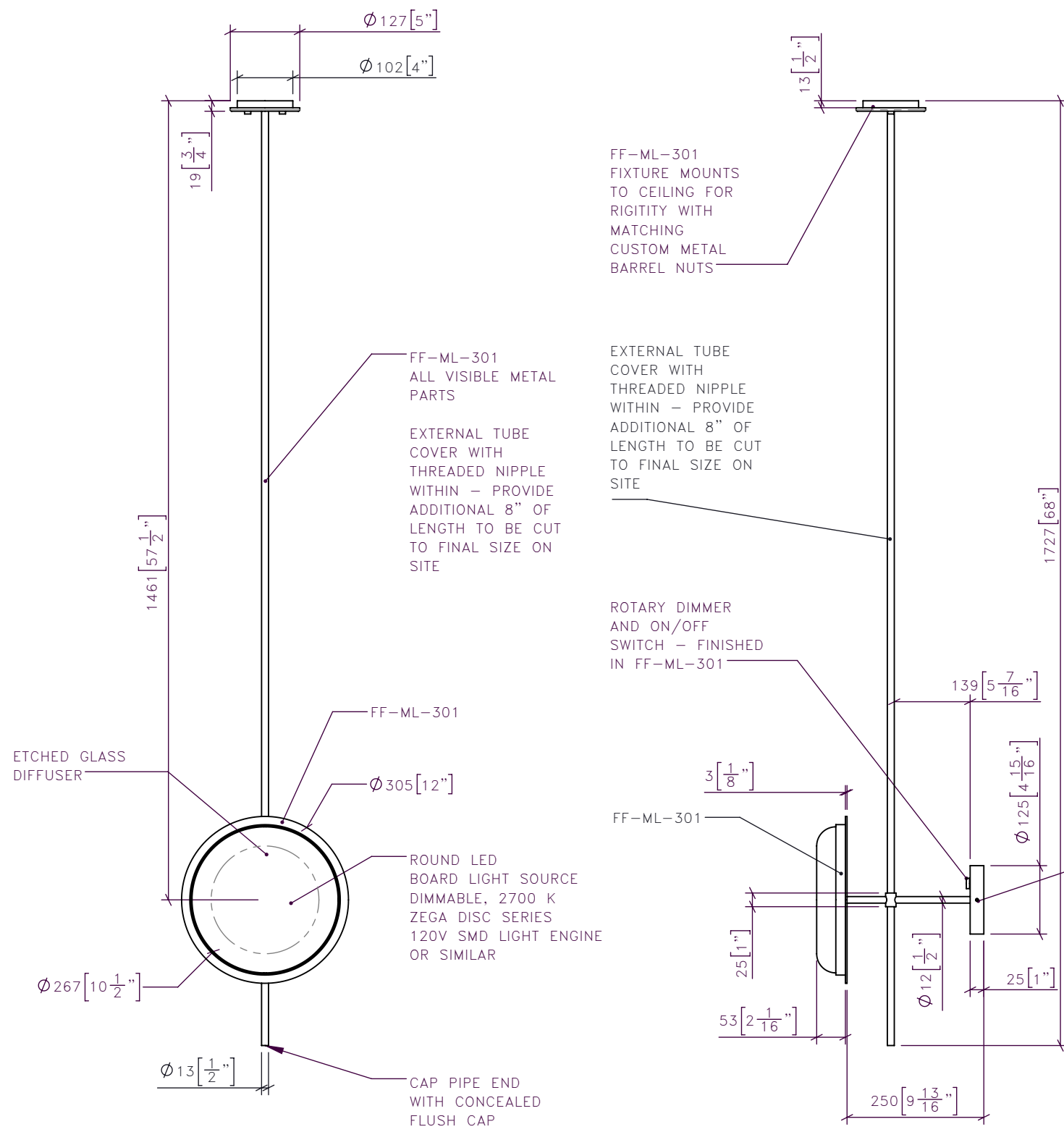


STUDIO MUNGE

FOR DESIGN INTENT ONLY

DRAWING ARE NOT TO BE SCALED. CONTRACTOR MUST CHECK AND VERIFY ALL JOB DIMENSIONS, DRAWINGS, DETAILS AND SPECIFICATIONS; AND REPORT ANY DISCREPANCIES TO DESIGNER BEFORE PROCEEDING WITH WORK.

REV	ISSUED FOR	DATE



3 | LT-301 | WALL SCNCE AT BED
1:10 | PLAN

1 | LT-301 | WALL SCNCE AT BED
1:10 | FRONT ELEVATION

2 | LT-301 | WALL SCNCE AT BED
1:10 | SIDE ELEVATION

**STUDIO
MUNGE**

25 WINGOLD AVENUE
TORONTO, ONTARIO
M6B 1P8 CANADA
416.588.1668
STUDIOMUNGE.COM

-SCALE AS NOTED	-DATE 12/13/17
-DRAWN BY AM	-CHECKED BY
-PROJECT NAME PARK HYATT TORONTO MOCK UP ROOM	
-DRAWING TITLE LT-301 WALL SCNCE AT BED	
-PROJECT NUMBER 16122	
-DRAWING NUMBER 1 / 3	

REV	ISSUED FOR	DATE

STUDIO MUNGE
 25 WINGOLD AVENUE
 TORONTO, ONTARIO
 M6B 1P8 CANADA
 416.588.1668
 STUDIOMUNGE.COM

-SCALE
AS NOTED

-DATE
12/13/17

-DRAWN BY
AM

-CHECKED BY

-PROJECT NAME

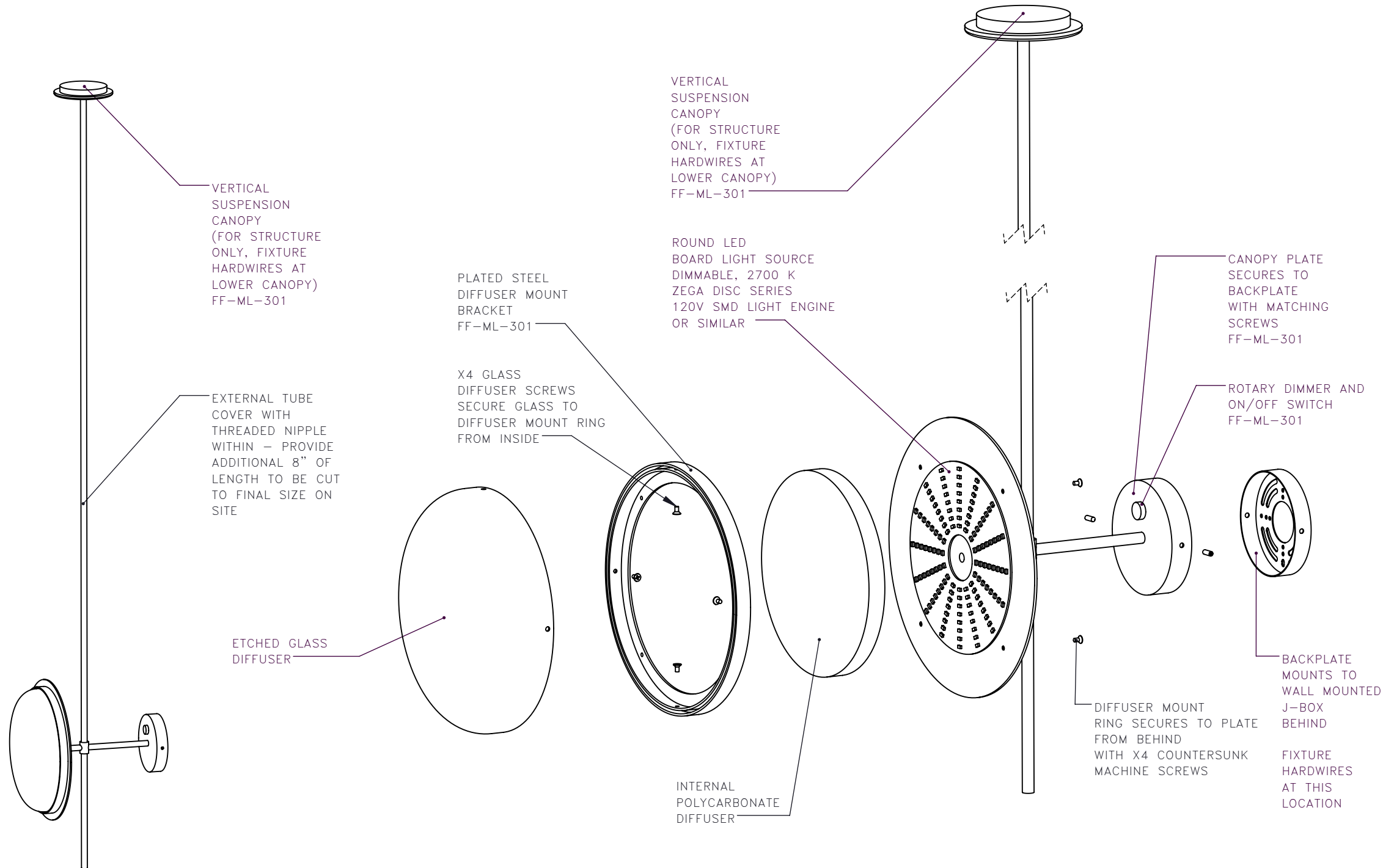
 PARK HYATT TORONTO
 MOCK UP ROOM

-DRAWING TITLE

 LT-301
 WALL SCONCE AT BED

-PROJECT NUMBER
16122

-DRAWING NUMBER
2 / 3



4 LT-301 WALL SCONCE AT BED ISOMETRIC
 1:10

5 LT-301 WALL SCONCE AT BED ISOMETRIC EXPLODED
 1:10

STUDIO MUNGE
E
D
C
B
A
Y

FOR DESIGN INTENT ONLY

DRAWING ARE NOT TO BE SCALED. CONTRACTOR MUST CHECK AND VERIFY ALL JOB DIMENSIONS, DRAWINGS, DETAILS AND SPECIFICATIONS; AND REPORT ANY DISCREPANCIES TO DESIGNER BEFORE PROCEEDING WITH WORK.

-REV/	-ISSUED FOR	-DATE



**STUDIO
MUNGE**
25 WINGOLD AVENUE
TORONTO, ONTARIO
M6B 1P8 CANADA
416.588.1668
STUDIOMUNGE.COM

-SCALE
AS NOTED

-DATE
12/13/17

-DRAWN BY
AM

-CHECKED BY

-PROJECT NAME

PARK HYATT TORONTO
MOCK UP ROOM

-DRAWING TITLE

LT-301
WALL SCONCE AT BED

-PROJECT NUMBER
16122

-DRAWING NUMBER
3 / 3

6	LT-301	WALL SCONCE AT BED RENDERED VIEW
	NTS	