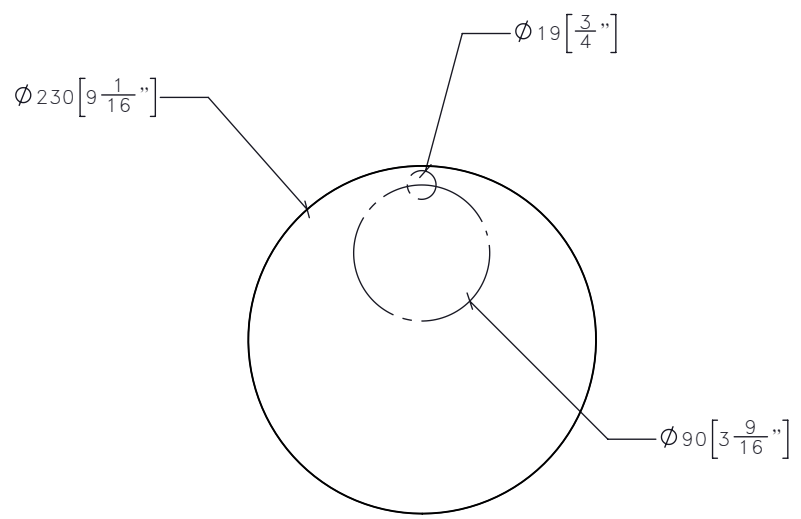


STUDIO MUNGE

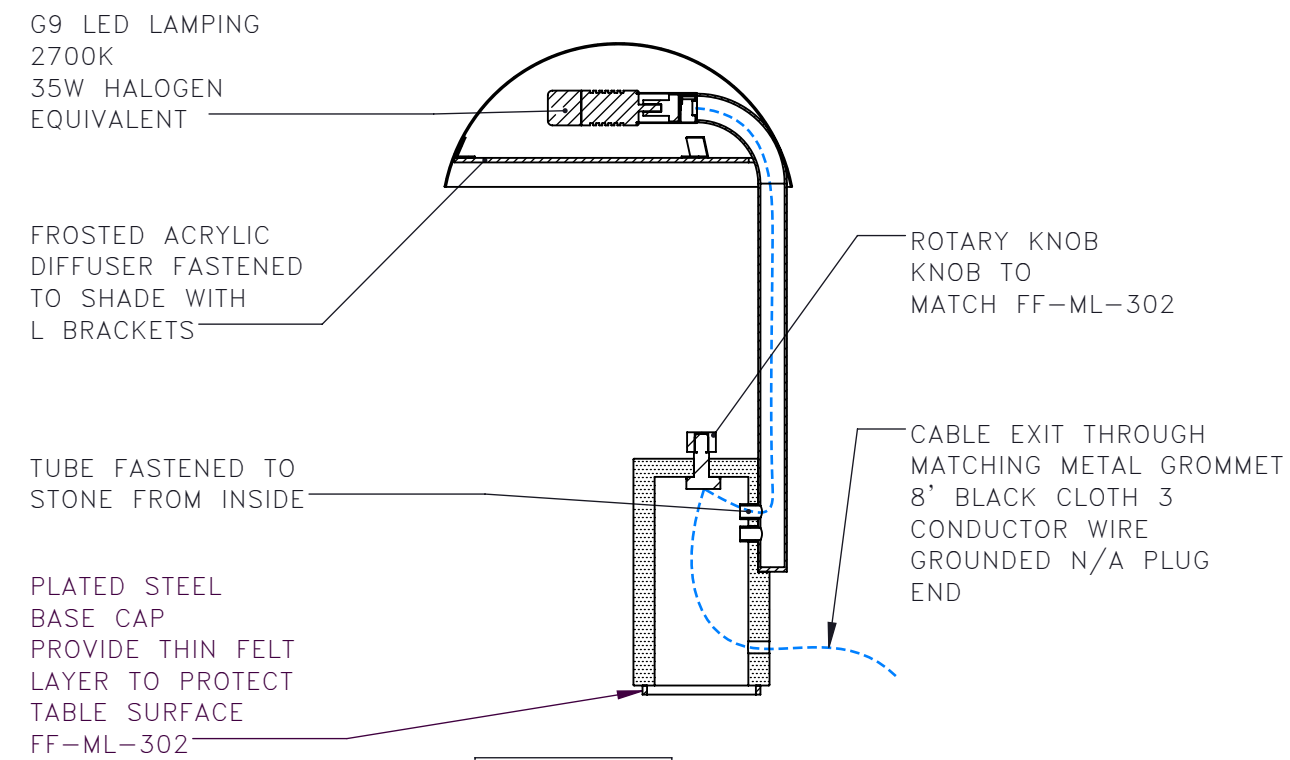
FOR DESIGN INTENT ONLY

DRAWING ARE NOT TO BE SCALED. CONTRACTOR MUST CHECK AND VERIFY ALL JOB DIMENSIONS, DRAWINGS, DETAILS AND SPECIFICATIONS; AND REPORT ANY DISCREPANCIES TO DESIGNER BEFORE PROCEEDING WITH WORK.

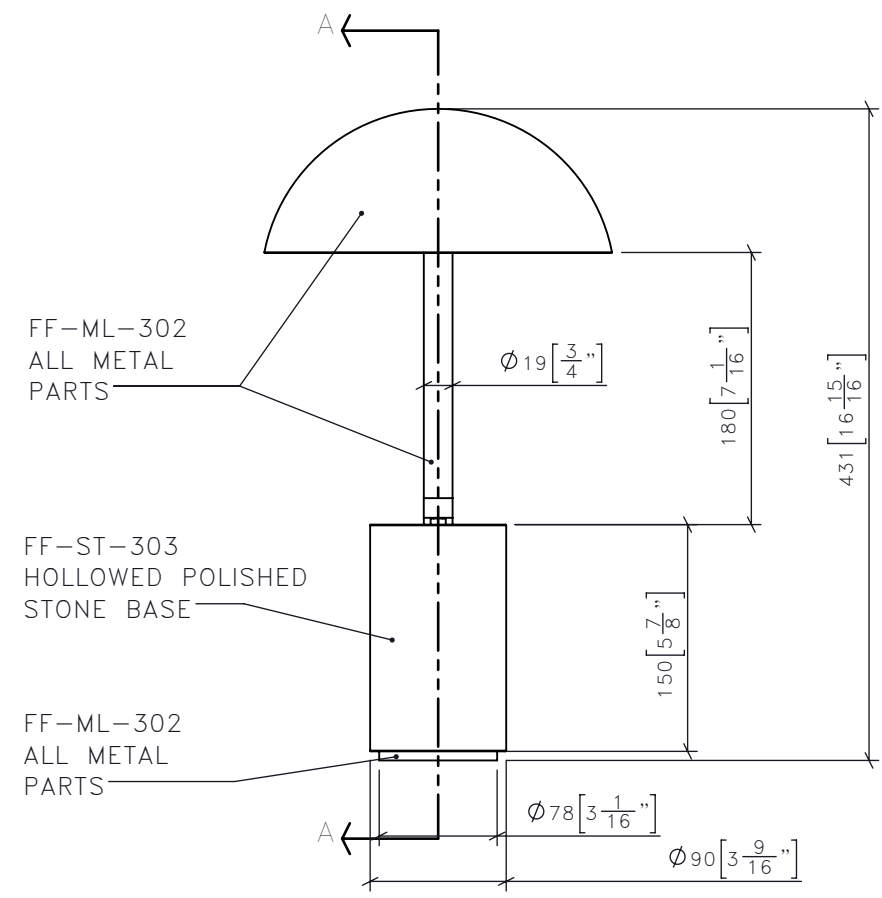
REV	ISSUED FOR	DATE



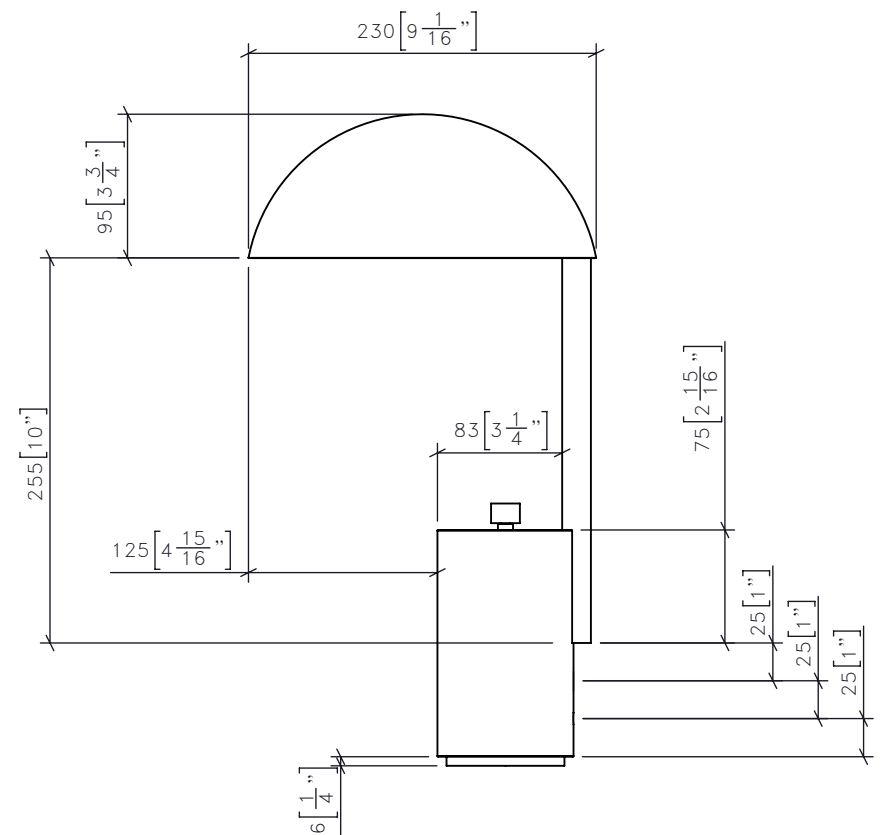
1 LA-301 TYP TABLE LAMP
1:10 PLAN (HIDDEN LINES SHOWN)



3 LA-301 TYP BEDSIDE LAMP
1:10 SECTION A



2 LA-301 TYP BEDSIDE LAMP
1:10 FRONT ELEVATION



4 LA-301 TYP BEDSIDE LAMP
1:10 SIDE ELEVATION

STUDIO MUNGE
25 WINGOLD AVENUE
TORONTO, ONTARIO
M6B 1P8 CANADA
416.588.1668
STUDIOMUNGE.COM

-SCALE AS NOTED	-DATE 4/13/17
-DRAWN BY EH	-CHECKED BY
-PROJECT NAME PARK HYATT TORONTO MOCK UP ROOM	
-DRAWING TITLE LA-301 TYP BEDSIDE LAMP	
-PROJECT NUMBER 16122	
-DRAWING NUMBER 1 / 2	

STUDIO MUNGE
E
D
C
B
A
Y

FOR DESIGN INTENT ONLY

DRAWING ARE NOT TO BE SCALED. CONTRACTOR MUST CHECK AND VERIFY ALL JOB DIMENSIONS, DRAWINGS, DETAILS AND SPECIFICATIONS; AND REPORT ANY DISCREPANCIES TO DESIGNER BEFORE PROCEEDING WITH WORK.

REV	ISSUED FOR	DATE



STUDIO MUNGE
25 WINGOLD AVENUE
TORONTO, ONTARIO
M6B 1P8 CANADA
416.588.1668
STUDIOMUNGE.COM

-SCALE AS NOTED	-DATE 4/13/17
-DRAWN BY EH	-CHECKED BY
-PROJECT NAME PARK HYATT TORONTO MOCK UP ROOM	
-DRAWING TITLE LA-301 TYP BEDSIDE LAMP	
-PROJECT NUMBER 16122	
-DRAWING NUMBER 2 / 2	

5	LA-301	TYP BEDSIDE LAMP RENDERED VIEW
	NTS	