

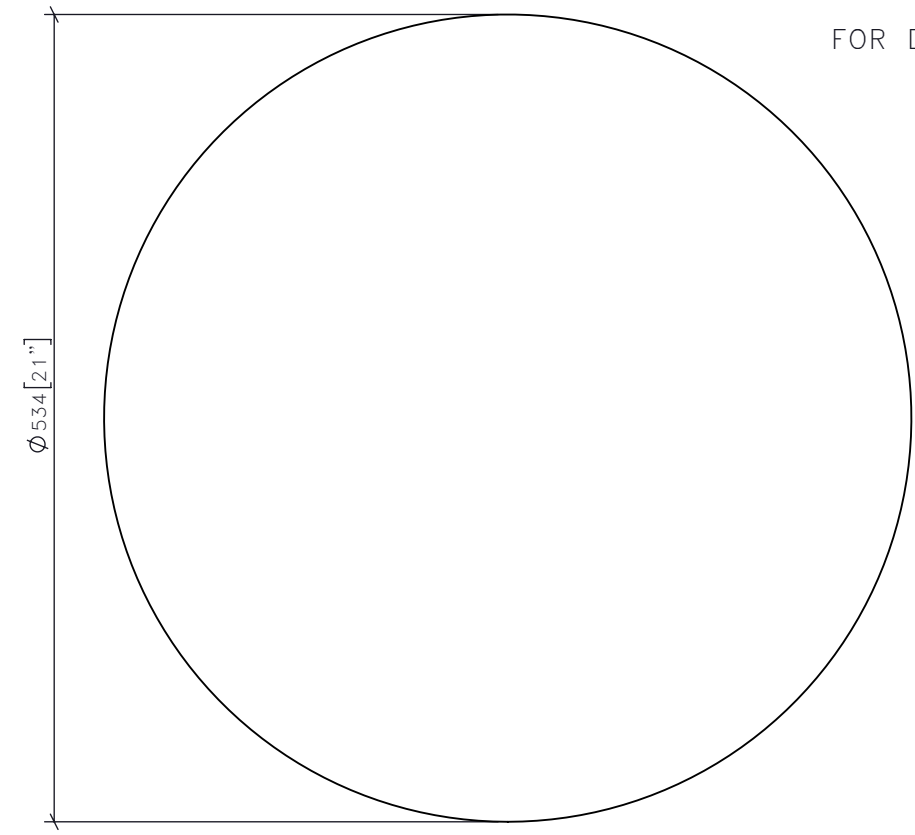
FOR DESIGN INTENT ONLY

DRAWING ARE NOT TO BE SCALED. CONTRACTOR MUST CHECK AND VERIFY ALL JOB DIMENSIONS, DRAWINGS, DETAILS AND SPECIFICATIONS; AND REPORT ANY DISCREPANCIES TO DESIGNER BEFORE PROCEEDING WITH WORK.

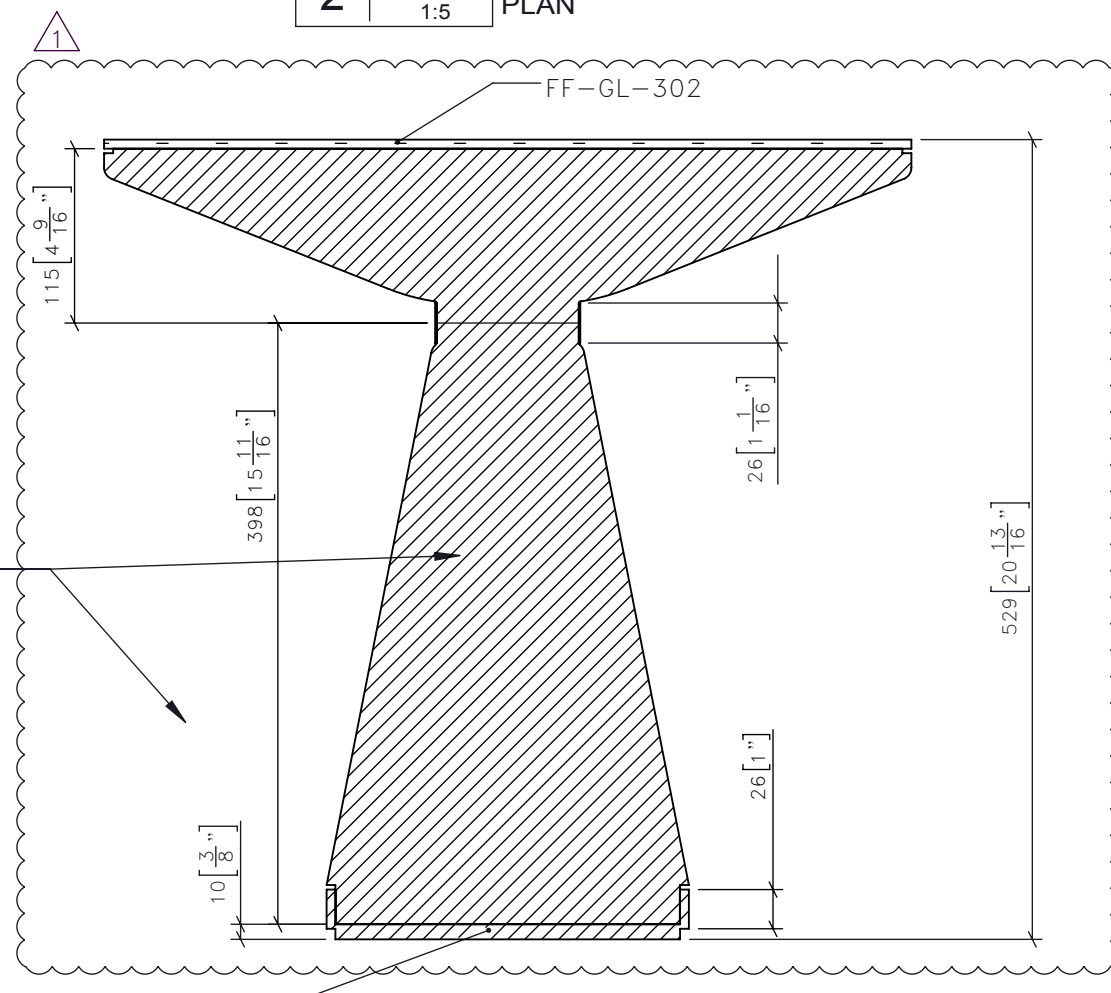
REV	ISSUED FOR	DATE
1		02/21/17

STUDIO MUNGE
 25 WINGOLD AVENUE
 TORONTO, ONTARIO
 M6B 1P8 CANADA
 416.588.1668
 STUDIOMUNGE.COM

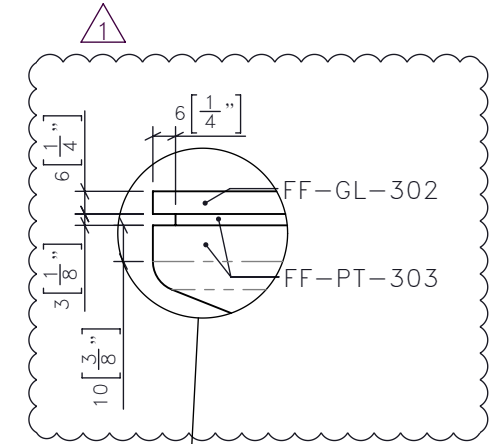
-SCALE AS NOTED	-DATE 4/17/17
-DRAWN BY EH	-CHECKED BY
-PROJECT NAME PARK HYATT TORONTO MOCK UP ROOM	
-DRAWING TITLE CG-305 TYPICAL BEDSIDE TABLE	
-PROJECT NUMBER 16122	
-DRAWING NUMBER 1 / 2	



2 CG-305 NIGHTSTAND PLAN
1:5



3 CG-305 NIGHTSTAND SECTION A
1:5

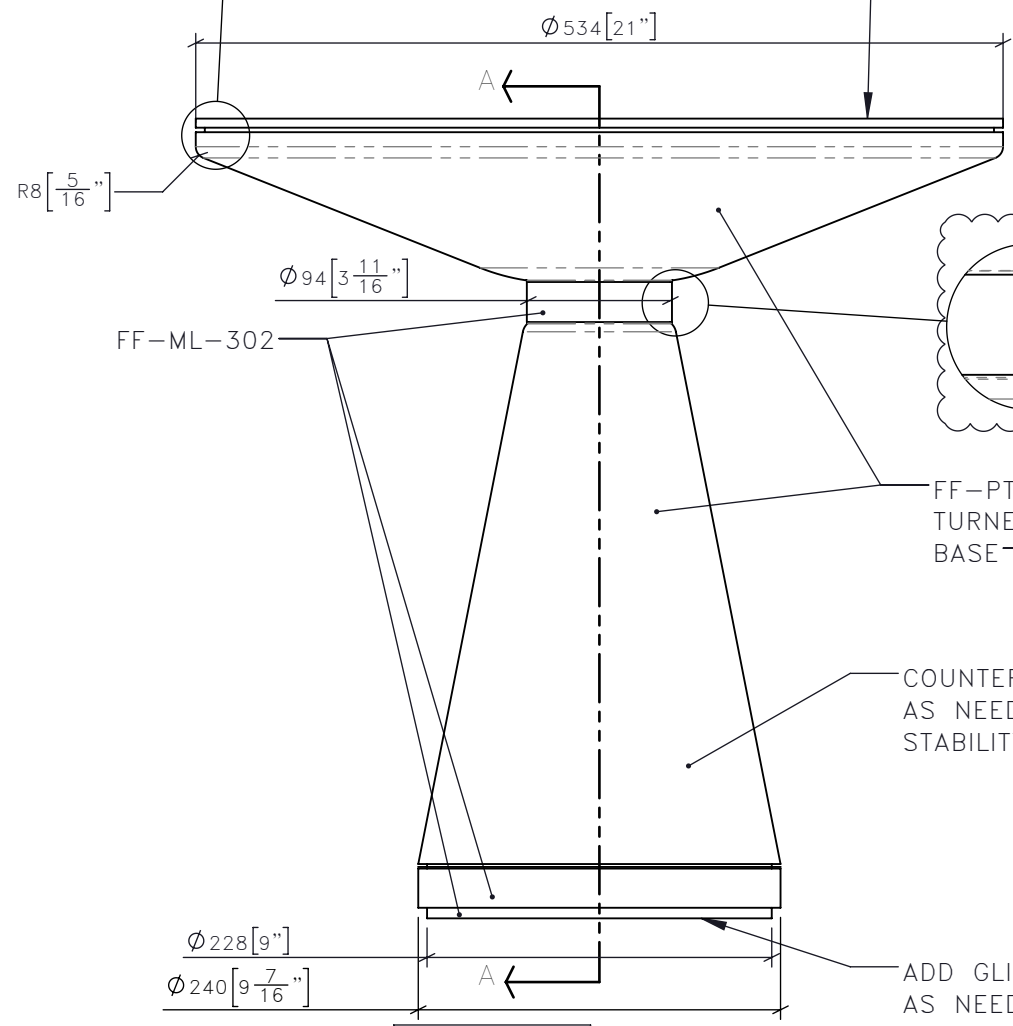


FF-GL-302
1/4" GLAS TOP
EASE AND POLISH
EDGES

FF-PT-303
TURNED LACQUERED
BASE

COUNTERWEIGHT
AS NEEDED FOR
STABILITY

ADD GLIDES
AS NEEDED



1 CG-305 NIGHTSTAND FRONT ELEVATION
1:5

STUDIO MUNGE
Y
E
M
D
C
B
A
Y

FOR DESIGN INTENT ONLY

DRAWING ARE NOT TO BE SCALED. CONTRACTOR MUST CHECK AND VERIFY ALL JOB DIMENSIONS, DRAWINGS, DETAILS AND SPECIFICATIONS; AND REPORT ANY DISCREPANCIES TO DESIGNER BEFORE PROCEEDING WITH WORK.

REV	ISSUED FOR	DATE
1		02/21/17



**STUDIO
MUNGE**
25 WINGOLD AVENUE
TORONTO, ONTARIO
M6B 1P8 CANADA
416.588.1668
STUDIOMUNGE.COM

SCALE
AS NOTED

DATE
4/17/17

DRAWN BY
EH

CHECKED BY

PROJECT NAME

PARK HYATT TORONTO
MOCK UP ROOM

DRAWING TITLE

CG-305
TYPICAL BEDSIDE TABLE

PROJECT NUMBER
16122

DRAWING NUMBER
2 / 2

4 | CG-305 | NIGHTSTAND
PERSPECTIVE