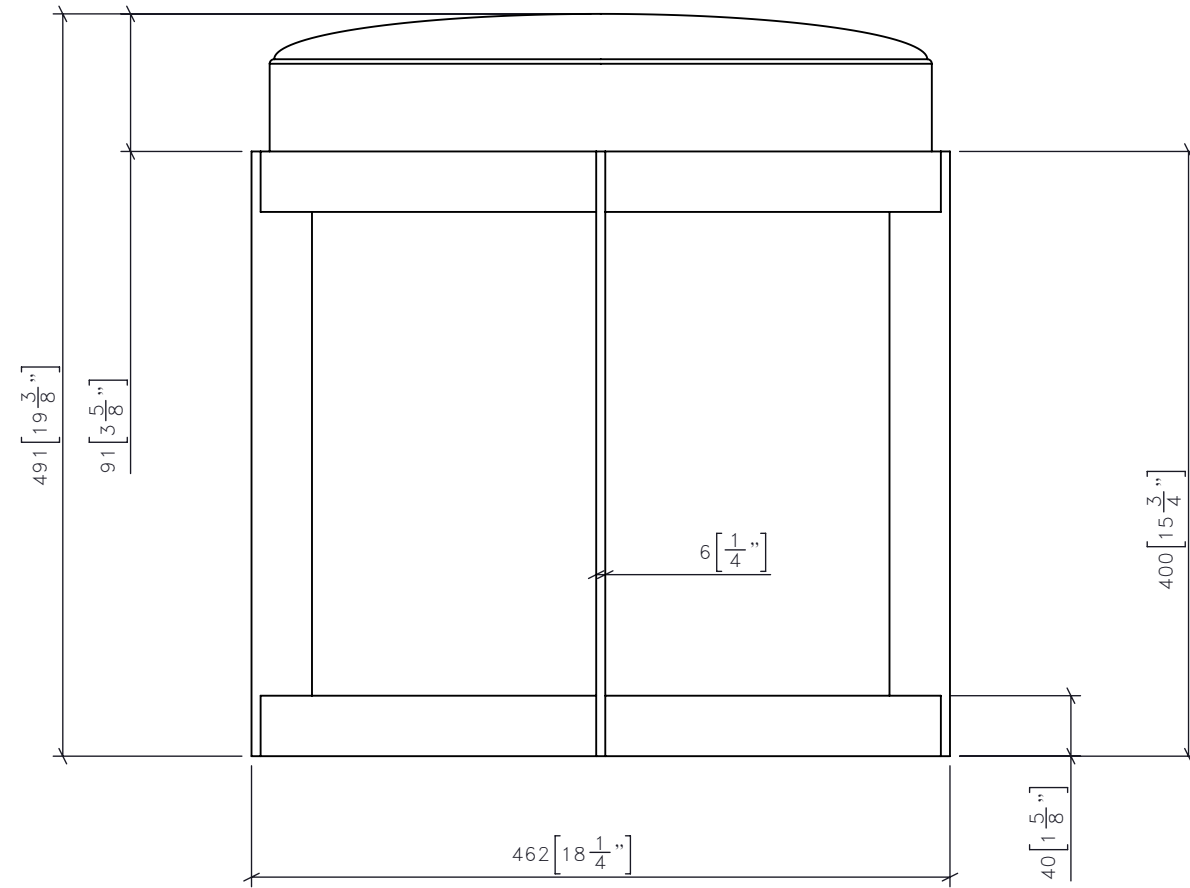
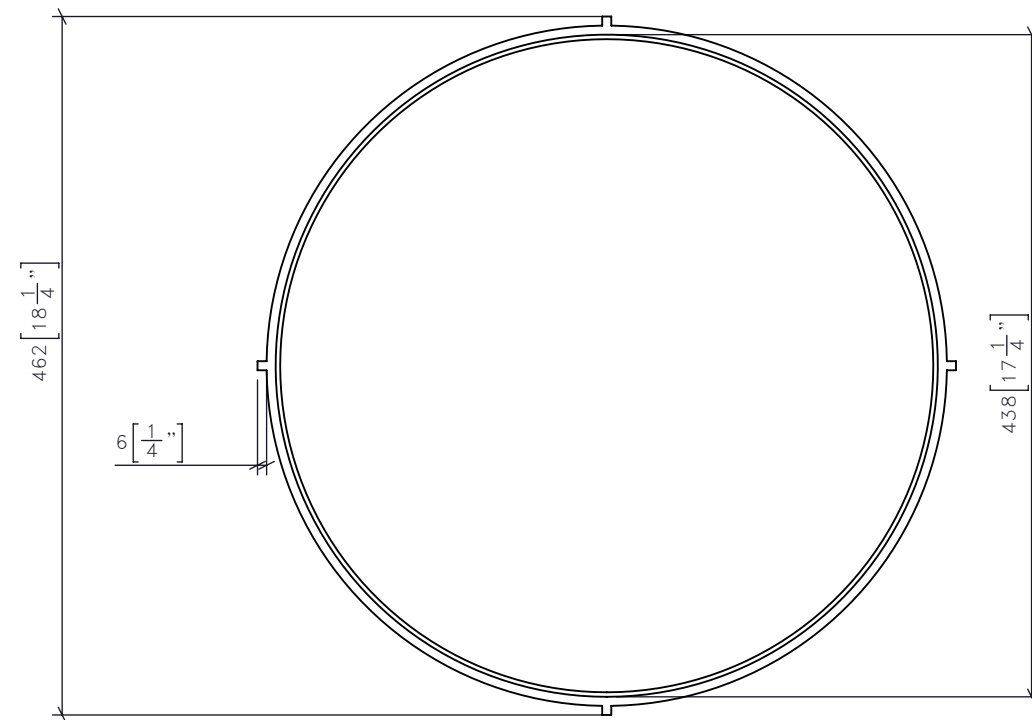


-REV/	-ISSUED FOR	-DATE



**1** | SG-XX  
1:5 | VANITY OTTOMAN  
FRONT ELEVATION



**2** | SG-XX  
1:5 | VANITY OTTOMAN  
PLAN

**STUDIO MUNGE**  
25 WINGOLD AVENUE  
TORONTO, ONTARIO  
M6B 1P8 CANADA  
416.588.1668  
STUDIOMUNGE.COM

-SCALE AS NOTED | -DATE 1/10/18

-DRAWN BY RC | -CHECKED BY

-PROJECT NAME  
PARK HYATT TORONTO

-DRAWING TITLE  
SG-XX  
VANITY OTTOMAN

-PROJECT NUMBER  
XXXXXX

-DRAWING NUMBER  
1 / 2

STUDIO MUNGE  
Y  
E  
M  
D  
C  
B  
A  
Y

FOR DESIGN INTENT ONLY

DRAWING ARE NOT TO BE SCALED. CONTRACTOR MUST CHECK AND VERIFY ALL JOB DIMENSIONS, DRAWINGS, DETAILS AND SPECIFICATIONS; AND REPORT ANY DISCREPANCIES TO DESIGNER BEFORE PROCEEDING WITH WORK.

-REV/	-ISSUED FOR	-DATE



**STUDIO  
MUNGE**  
25 WINGOLD AVENUE  
TORONTO, ONTARIO  
M6B 1P8 CANADA  
416.588.1668  
STUDIOMUNGE.COM

<b>-SCALE</b> AS NOTED	<b>-DATE</b> 1/10/18
<b>-DRAWN BY</b> AM	<b>-CHECKED BY</b> 
<b>-PROJECT NAME</b>  PARK HYATT TORONTO	
<b>-DRAWING TITLE</b>  SG-XX VANITY OTTOMAN	
<b>-PROJECT NUMBER</b> XXXXXX	
<b>-DRAWING NUMBER</b> 2 / 2	