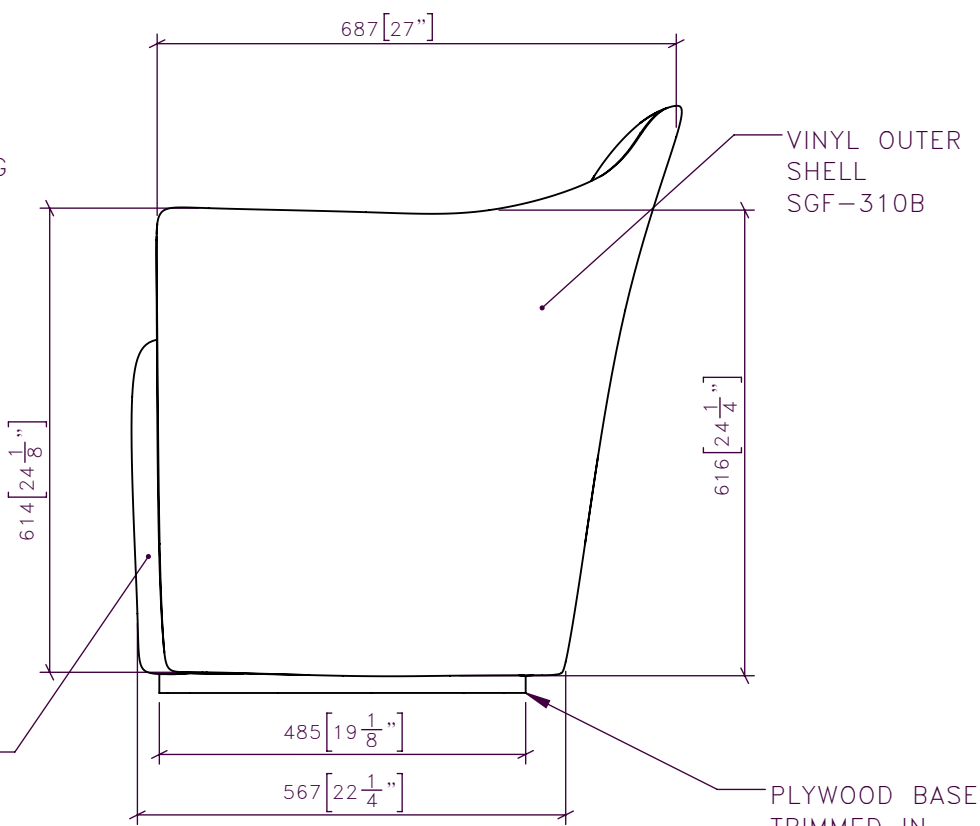
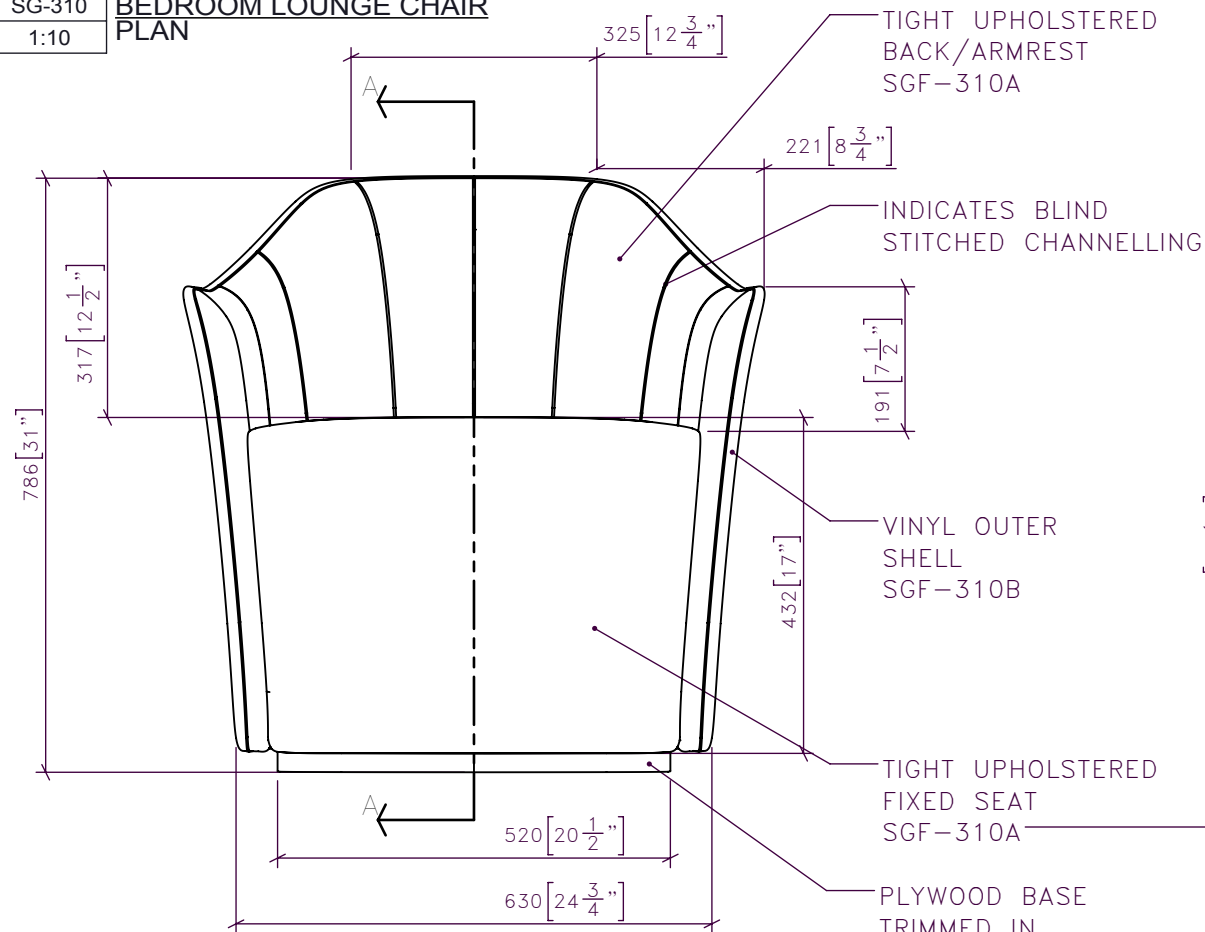


1 SG-310
1:10 **BEDROOM LOUNGE CHAIR PLAN**

3 SG-310
1:10 **BEDROOM LOUNGE CHAIR SECTION A**



2 SG-310
1:10 **BEDROOM LOUNGE CHAIR FRONT ELEVATION**

4 SG-310
1:10 **BEDROOM LOUNGE CHAIR SIDE ELEVATION**

-SCALE
AS NOTED

-DATE
3/27/17

-DRAWN BY
AM

-CHECKED BY

-PROJECT NAME

PARK HYATT TORONTO
MUR

-DRAWING TITLE

SG-310
BEDROOM LOUNGE CHAIR

-PROJECT NUMBER
16122

-DRAWING NUMBER
1 / 3

STUDIO MUNGE
E
D
C
B
A
Y

FOR DESIGN INTENT ONLY

DRAWING ARE NOT TO BE SCALED. CONTRACTOR MUST CHECK AND VERIFY ALL JOB DIMENSIONS, DRAWINGS, DETAILS AND SPECIFICATIONS; AND REPORT ANY DISCREPANCIES TO DESIGNER BEFORE PROCEEDING WITH WORK.

-REV/	-ISSUED FOR	-DATE



**STUDIO
MUNGE**
25 WINGOLD AVENUE
TORONTO, ONTARIO
M6B 1P8 CANADA
416.588.1668
STUDIOMUNGE.COM

-SCALE
AS NOTED

-DATE
3/27/17

-DRAWN BY
AM

-CHECKED BY

-PROJECT NAME

PARK HYATT TORONTO
MUR

-DRAWING TITLE

SG-310
BEDROOM LOUNGE CHAIR

-PROJECT NUMBER
16122

-DRAWING NUMBER
2 / 3

5 | SG-310 | **BEDROOM LOUNGE CHAIR**
NTS | **RENDERED VIEW**

STUDIO MUNGE
E
D
C
B
A
Y

FOR DESIGN INTENT ONLY

DRAWING ARE NOT TO BE SCALED. CONTRACTOR MUST CHECK AND VERIFY ALL JOB DIMENSIONS, DRAWINGS, DETAILS AND SPECIFICATIONS; AND REPORT ANY DISCREPANCIES TO DESIGNER BEFORE PROCEEDING WITH WORK.

-REV/	-ISSUED FOR	-DATE



**STUDIO
MUNGE**
25 WINGOLD AVENUE
TORONTO, ONTARIO
M6B 1P8 CANADA
416.588.1668
STUDIOMUNGE.COM

-SCALE
AS NOTED

-DATE
3/27/17

-DRAWN BY
AM

-CHECKED BY

-PROJECT NAME

PARK HYATT TORONTO
MUR

-DRAWING TITLE

SG-310
BEDROOM LOUNGE CHAIR

-PROJECT NUMBER
16122

-DRAWING NUMBER
3 / 3

6 | SG-310 | **BEDROOM LOUNGE CHAIR**
NTS | **RENDERED VIEW**