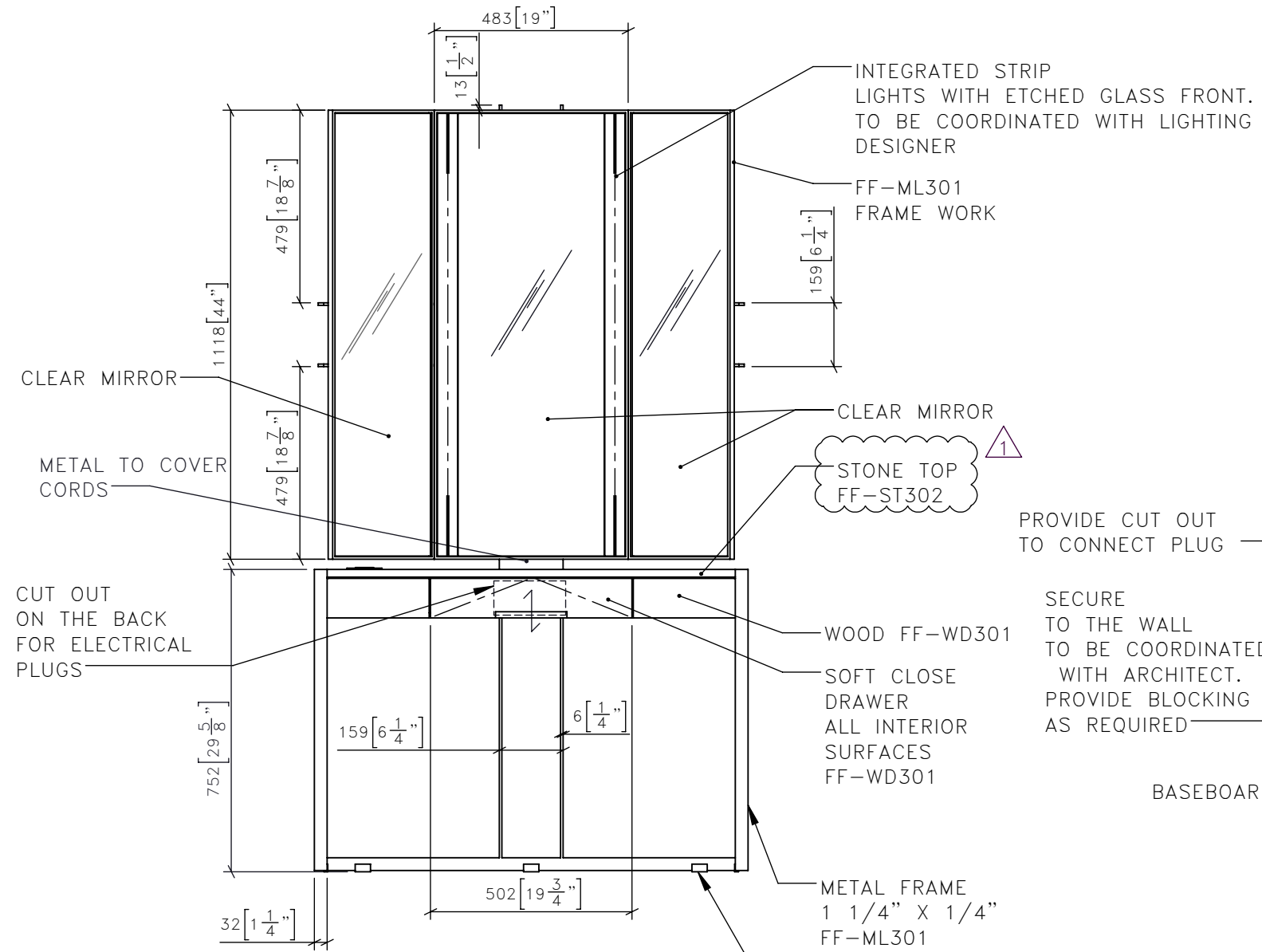


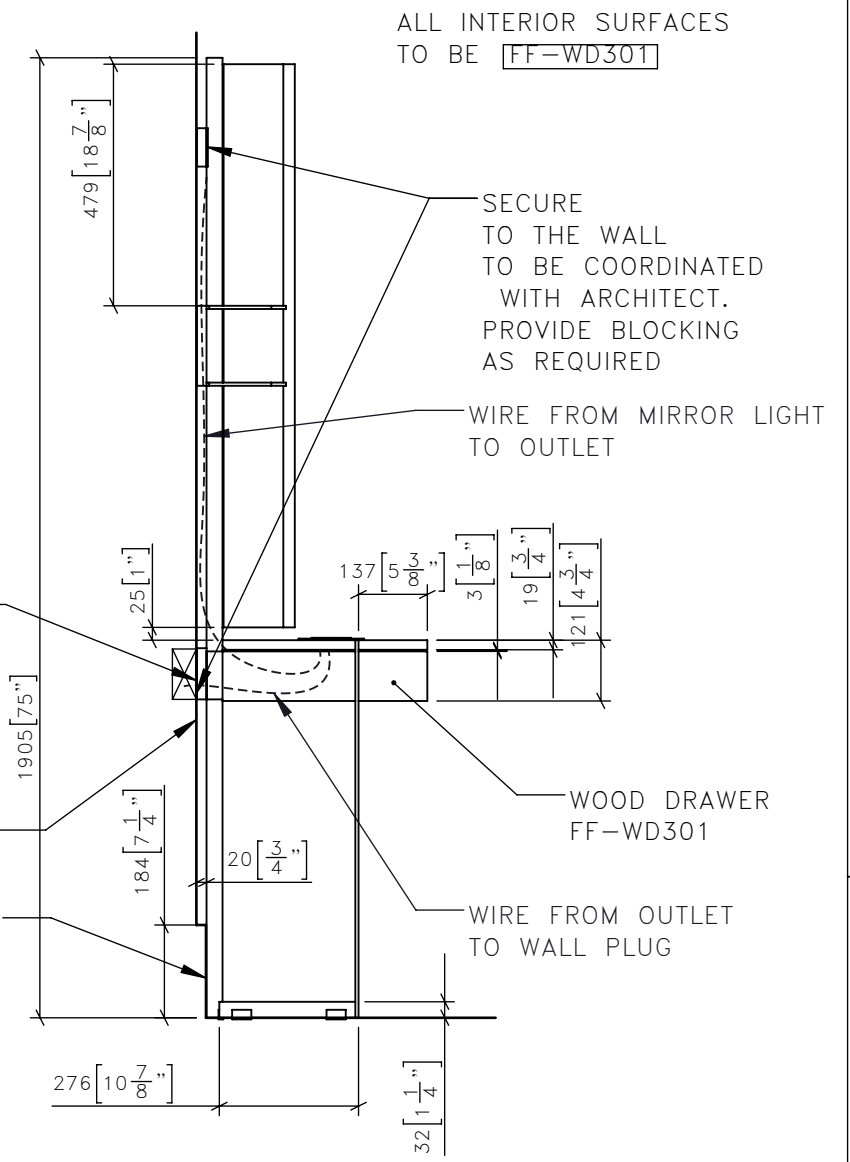
STUDIO MUNGE

DRAWING ARE NOT TO BE SCALED. CONTRACTOR MUST CHECK AND VERIFY ALL JOB DIMENSIONS, DRAWINGS, DETAILS AND SPECIFICATIONS; AND REPORT ANY DISCREPANCIES TO DESIGNER BEFORE PROCEEDING WITH WORK.

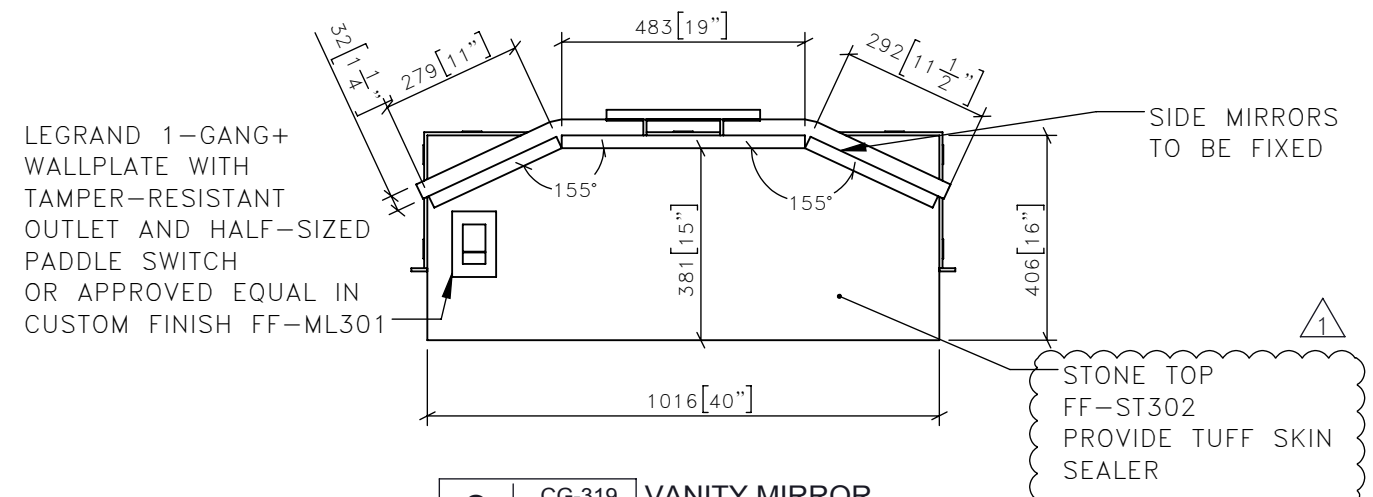
-REV/	-ISSUED FOR	-DATE
1		Feb 21 2017



**1** CG-319 VANITY MIRROR FRONT ELEVATION  
1:15



**2** CG-319 VANITY MIRROR SIDE ELEVATION  
1:15



**3** CG-319 VANITY MIRROR PLAN  
1:15

**STUDIO MUNGE**  
25 WINGOLD AVENUE  
TORONTO, ONTARIO  
M6B 1P8 CANADA  
416.588.1668  
STUDIOMUNGE.COM

FOR DESIGN INTENT ONLY

-SCALE AS NOTED -DATE 5/23/17

-DRAWN BY EP -CHECKED BY

-PROJECT NAME

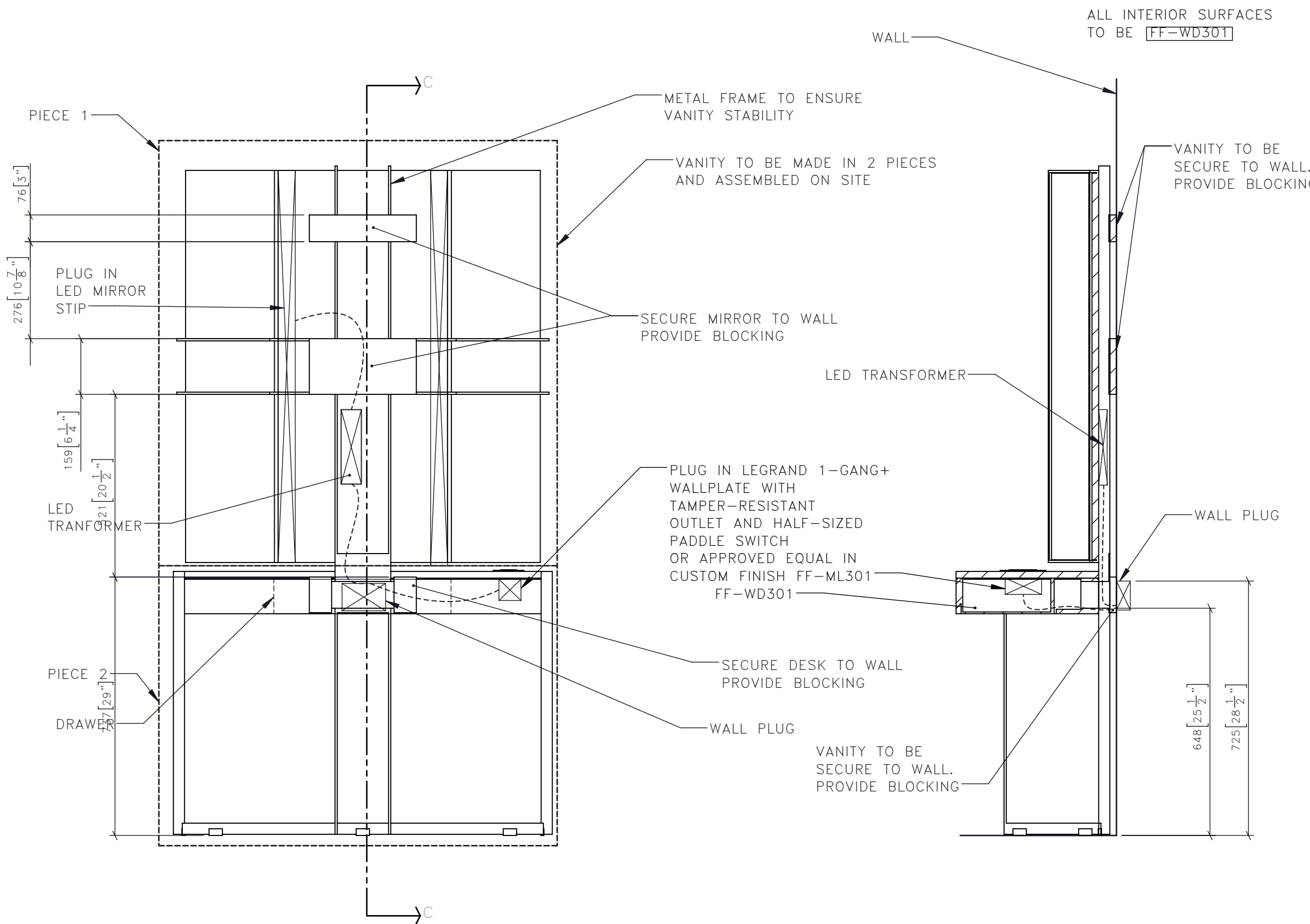
PARK HYATT TORONTO

-DRAWING TITLE

CG-319 VANITY

-PROJECT NUMBER 16122

-DRAWING NUMBER 1 / 3



**4** CG-319 VANITY MIRROR BACK ELEVATION  
1:15

**5** CG-319 VANITY MIRROR C SECTION  
1:15

DRAWING ARE NOT TO BE SCALED. CONTRACTOR MUST CHECK AND VERIFY ALL JOB DIMENSIONS, DRAWINGS, DETAILS AND SPECIFICATIONS; AND REPORT ANY DISCREPANCIES TO DESIGNER BEFORE PROCEEDING WITH WORK.

-REV/	-ISSUED FOR	-DATE
1		Feb 21 2017

**STUDIO MUNGE**  
 25 WINGOLD AVENUE  
 TORONTO, ONTARIO  
 M6B 1P8 CANADA  
 416.588.1668  
 STUDIOMUNGE.COM

FOR DESIGN INTENT ONLY

-SCALE AS NOTED  
 -DATE 5/23/17

-DRAWN BY EP  
 -CHECKED BY

-PROJECT NAME  
 PARK HYATT TORONTO

-DRAWING TITLE  
 CG-319  
 VANITY

-PROJECT NUMBER  
 16122

-DRAWING NUMBER  
 2 / 3

STUDIO MUNGE  
E  
D  
C  
B  
A  
Y



DRAWING ARE NOT TO BE SCALED. CONTRACTOR MUST CHECK AND VERIFY ALL JOB DIMENSIONS, DRAWINGS, DETAILS AND SPECIFICATIONS; AND REPORT ANY DISCREPANCIES TO DESIGNER BEFORE PROCEEDING WITH WORK.

-REV/	-ISSUED FOR	-DATE
1		Feb 21 2017

**STUDIO MUNGE**  
25 WINGOLD AVENUE  
TORONTO, ONTARIO  
M6B 1P8 CANADA  
416.588.1668  
STUDIOMUNGE.COM

FOR DESIGN INTENT ONLY

**-SCALE**  
AS NOTED

**-DATE**  
5/23/17

**-DRAWN BY**  
EP

**-CHECKED BY**

**-PROJECT NAME**  
  
PARK HYATT TORONTO

**-DRAWING TITLE**  
  
CG-319  
VANITY

**-PROJECT NUMBER**  
16122

**-DRAWING NUMBER**  
3 / 3