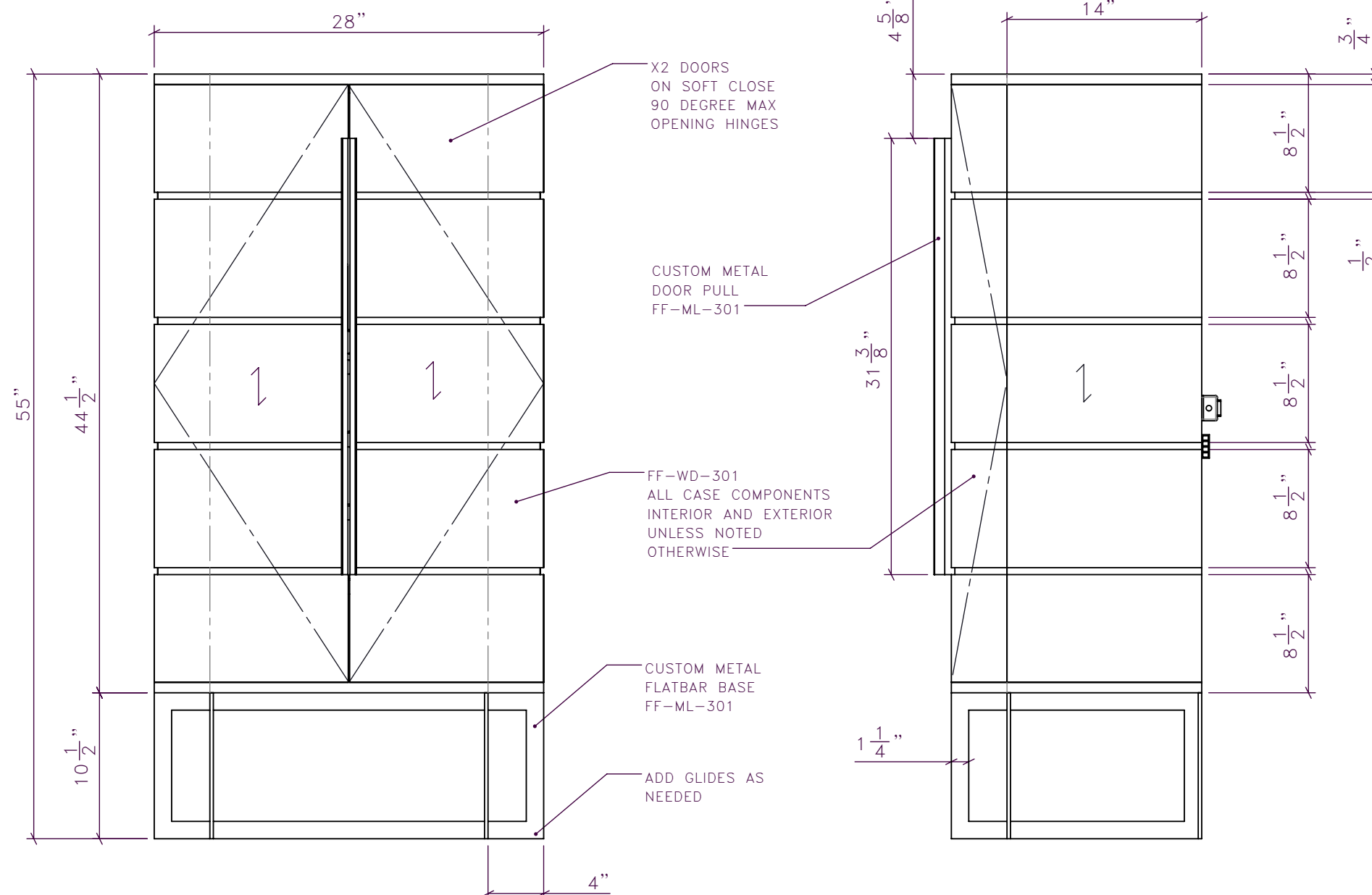


**1** CG-323 STANDARD KING MINIBAR  
1:10 PLAN



**2** CG-323 STANDARD KING MINIBAR  
1:10 FRONT ELEVATION

**3** CG-323 STANDARD KING MINIBAR  
1:10 SIDE ELEVATION

-REV/	-ISSUED FOR	-DATE

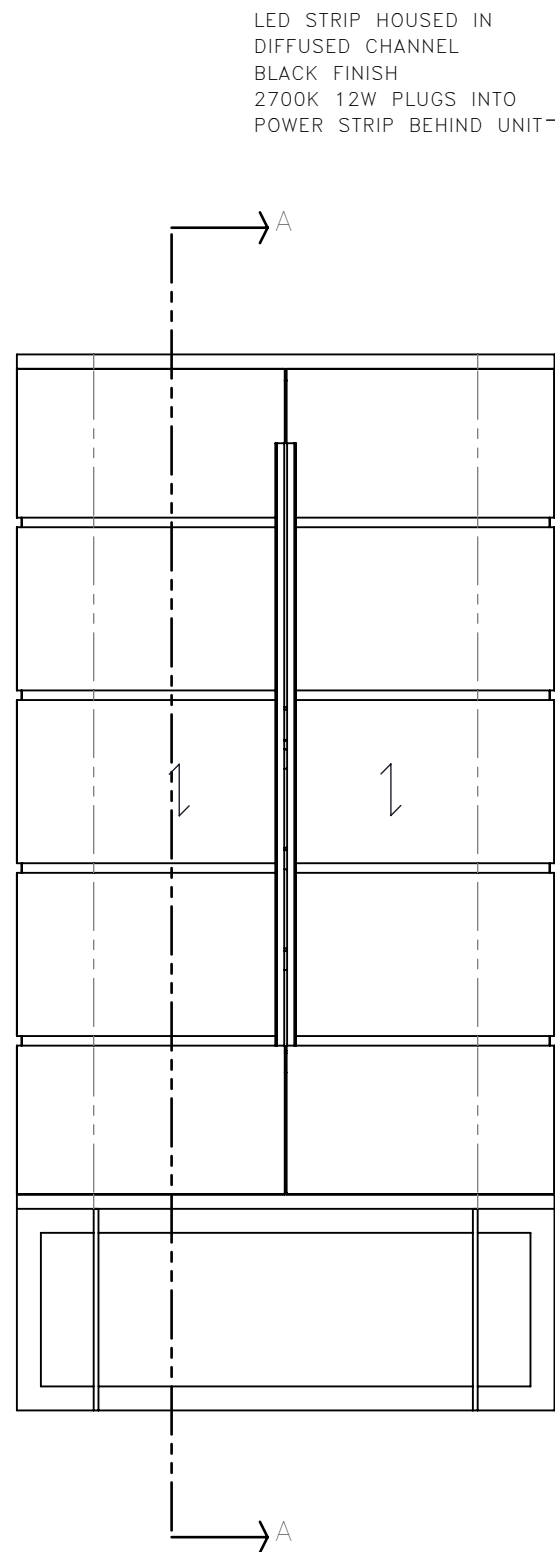
**STUDIO MUNGE**  
25 WINGOLD AVENUE  
TORONTO, ONTARIO  
M6B 1P8 CANADA  
416.588.1668  
STUDIOMUNGE.COM

-SCALE AS NOTED	-DATE 6/6/17
-DRAWN BY AM	-CHECKED BY
-PROJECT NAME  PARK HYATT TORONTO	
-DRAWING TITLE  CG-323 STANDARD KING MINIBAR	
-PROJECT NUMBER 16122	
-DRAWING NUMBER 1 / 5	

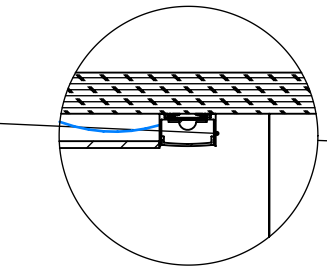
STUDIO MUNGE

FOR DESIGN INTENT ONLY

DRAWING ARE NOT TO BE SCALED. CONTRACTOR MUST CHECK AND VERIFY ALL JOB DIMENSIONS, DRAWINGS, DETAILS AND SPECIFICATIONS; AND REPORT ANY DISCREPANCIES TO DESIGNER BEFORE PROCEEDING WITH WORK.



**4** CG-323 1:10 STANDARD KING MINIBAR FRONT ELEVATION

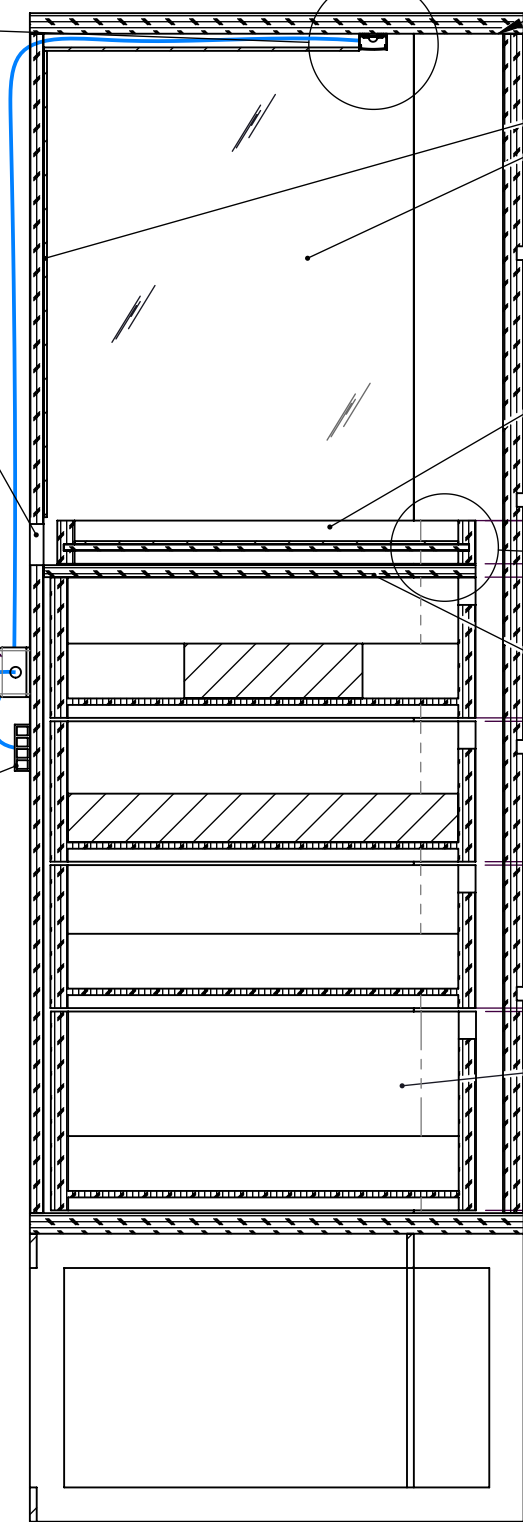


LED STRIP HOUSED IN DIFFUSED CHANNEL BLACK FINISH 2700K 12W PLUGS INTO POWER STRIP BEHIND UNIT

OPEN SLOT FOR COFFEE MACHINE POWER CABLE TO PASS THROUGH AND CONNECT TO POWER STRIP 1-1/2" X 4"

BYRNE MINI-TAP SURFACE MOUNTED X2 RECEPTACLE POWER STRIP OR EQUIVALENT POWER CABLE TO PASS THROUGH SCREEN BEHIND AND PLUG INTO WALL BEHIND

DENOTES LED DRIVER LOCATION



**5** CG-323 1:6 STANDARD KING MINIBAR SECTION A

PROVIDE PRESSURE SWITCH FOR LED LIGHT AT THIS LOCATION

1/8" TEMPERED GLASS SHEET APPLIED TO BACK AND SIDE PANEL (GLASS TO STOP BELOW LEVEL OF FIRST PULLOUT) FF-GL-302

COFFEE PULL OUT TRAY SOFT CLOSE UNDERMOUNT GLIDES FULL EXTENSION

PARTITION PANEL TO COVER DRAWER BELOW FF-WD-301

X4 DRAWERS WITH ADJUSTABLE WALNUT DIVIDER INSERTS FF-WD-301 SIDES AND FRONTS FF-PL-301 BOTTOM PANELS UNLESS NOTED OTHERWISE

ADD GLIDES AS NEEDED

17 3/4"

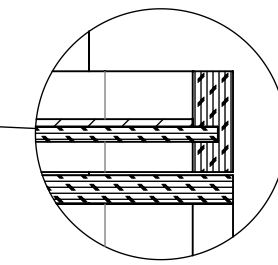
1 5/8"

5 1/8"

5 1/8"

5 1/4"

7 1/4"



-REV/	-ISSUED FOR	-DATE

**STUDIO MUNGE**  
 25 WINGOLD AVENUE  
 TORONTO, ONTARIO  
 M6B 1P8 CANADA  
 416.588.1668  
 STUDIOMUNGE.COM

-SCALE AS NOTED -DATE 6/6/17

-DRAWN BY AM -CHECKED BY

-PROJECT NAME

PARK HYATT TORONTO

-DRAWING TITLE

CG-323 STANDARD KING MINIBAR

-PROJECT NUMBER 16122

-DRAWING NUMBER 2 / 5

STUDIO MUNGE

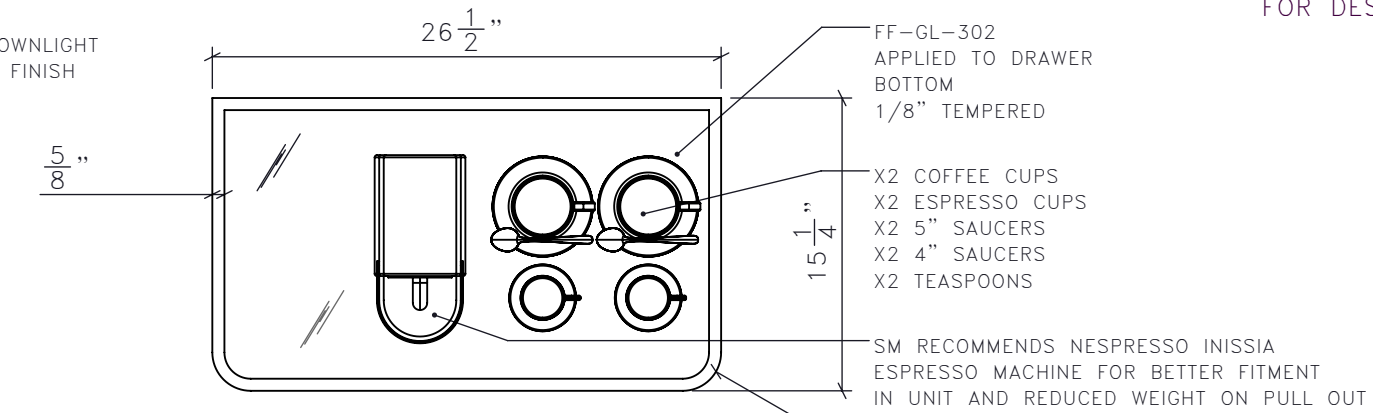
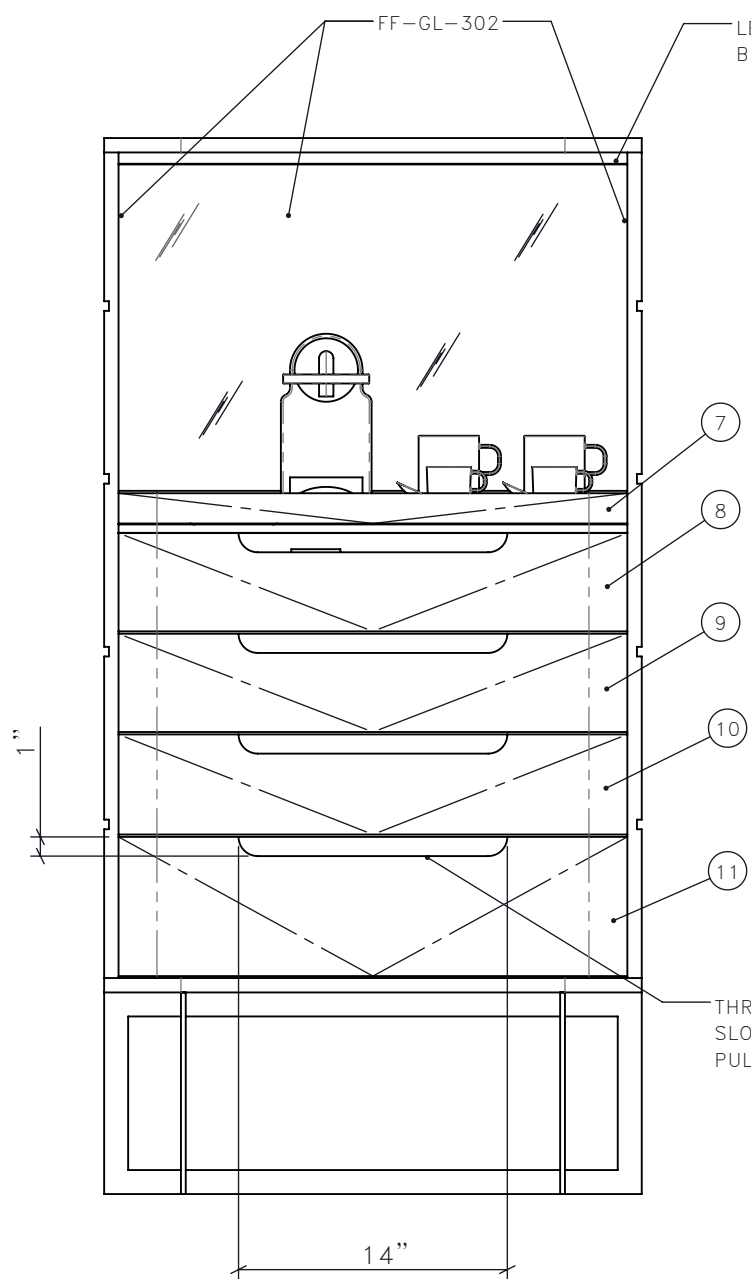
FOR DESIGN INTENT ONLY

DRAWING ARE NOT TO BE SCALED. CONTRACTOR MUST CHECK AND VERIFY ALL JOB DIMENSIONS, DRAWINGS, DETAILS AND SPECIFICATIONS; AND REPORT ANY DISCREPANCIES TO DESIGNER BEFORE PROCEEDING WITH WORK.

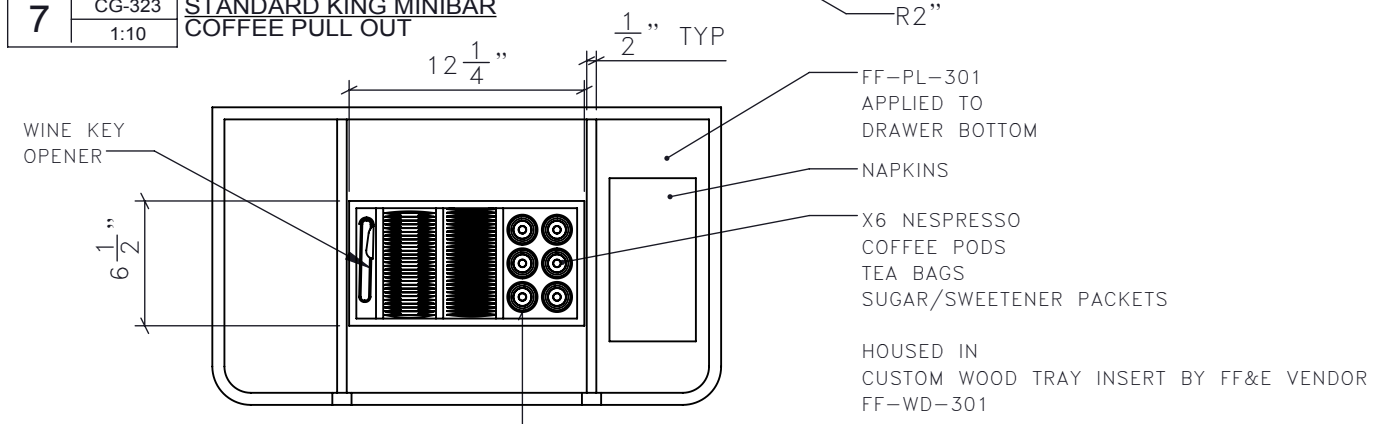
-REV-	-ISSUED FOR	-DATE

**STUDIO MUNGE**  
 25 WINGOLD AVENUE  
 TORONTO, ONTARIO  
 M6B 1P8 CANADA  
 416.588.1668  
 STUDIOMUNGE.COM

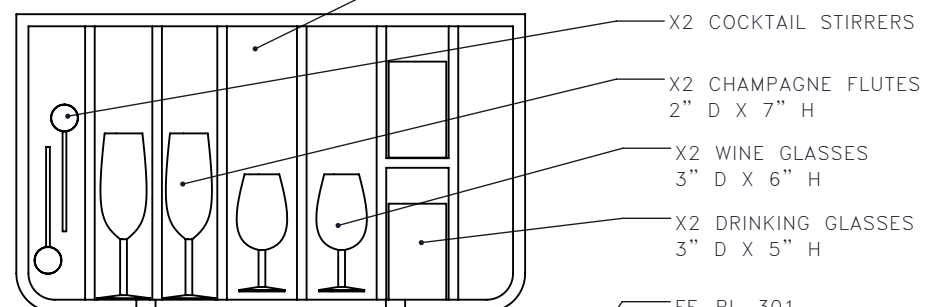
-SCALE AS NOTED	-DATE 6/6/17
-DRAWN BY AM	-CHECKED BY
-PROJECT NAME  PARK HYATT TORONTO	
-DRAWING TITLE  CG-323 STANDARD KING MINIBAR	
-PROJECT NUMBER 16122	
-DRAWING NUMBER 3 / 5	



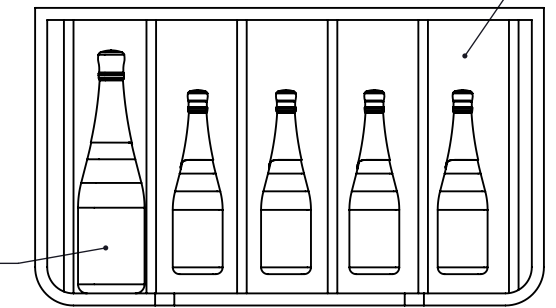
**7** CG-323 1:10 **STANDARD KING MINIBAR COFFEE PULL OUT**



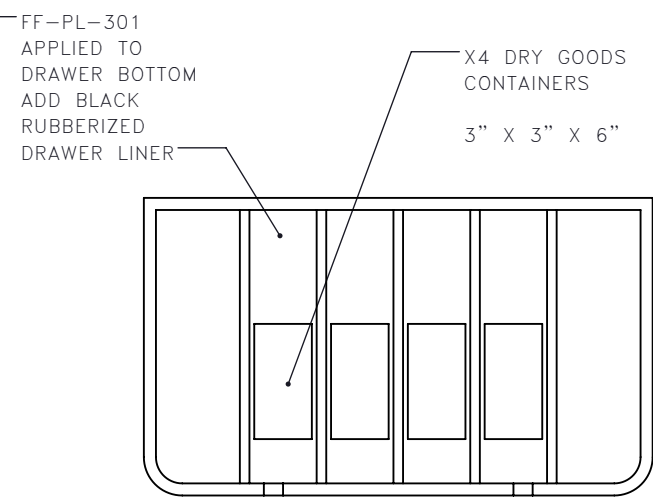
**8** CG-323 1:10 **STANDARD KING MINIBAR CONDIMENT DRAWER**



**9** CG-323 1:10 **STANDARD KING MINIBAR GLASSWARE DRAWER**



**10** CG-323 1:10 **STANDARD KING MINIBAR LIQUOR DRAWER**



**11** CG-323 1:10 **STANDARD KING MINIBAR SNACK DRAWER**

**6** CG-323 1:10 **STANDARD KING MINIBAR DOORS REMOVED**

NOTE: MANUFACTURER TO PROVIDE 1/8" W X 1/8" D DADOES ON 3/8" CENTERS THROUGHOUT ALL DRAWER INTERIORS TO RECIEVE MATCHING 1/8" X 1/8" TONGUE ON DRAWER DIVIDERS TO ALLOW DIVIDERS TO BE ADJUSTED AS NEEDED

ALL DRAWERS TO BE MOUNTED ON FULL EXTENSION SOFT CLOSE UNDERMOUNT GLIDES

DRAWER FRONTS, SIDES, AND DIVIDERS TO BE FINISHED FF-WD-301

STUDIO MUNGE  
Y  
E  
D  
C  
B  
A  
X

FOR DESIGN INTENT ONLY

DRAWING ARE NOT TO BE SCALED. CONTRACTOR MUST CHECK AND VERIFY ALL JOB DIMENSIONS, DRAWINGS, DETAILS AND SPECIFICATIONS; AND REPORT ANY DISCREPANCIES TO DESIGNER BEFORE PROCEEDING WITH WORK.

-REV/	-ISSUED FOR	-DATE



**STUDIO MUNGE**  
25 WINGOLD AVENUE  
TORONTO, ONTARIO  
M6B 1P8 CANADA  
416.588.1668  
STUDIOMUNGE.COM

**-SCALE**  
AS NOTED

**-DATE**  
6/6/17

**-DRAWN BY**  
AM

**-CHECKED BY**

**-PROJECT NAME**  
  
PARK HYATT TORONTO

**-DRAWING TITLE**  
  
CG-323  
STANDARD KING MINIBAR

**-PROJECT NUMBER**  
16122

**-DRAWING NUMBER**  
4 / 5

12 | CG-323 | STANDARD KING MINIBAR  
NTS | RENDERED VIEW



STUDIO MUNGE  
Y  
E  
M  
D  
C  
B  
A  
Y

FOR DESIGN INTENT ONLY

DRAWING ARE NOT TO BE SCALED. CONTRACTOR MUST CHECK AND VERIFY ALL JOB DIMENSIONS, DRAWINGS, DETAILS AND SPECIFICATIONS; AND REPORT ANY DISCREPANCIES TO DESIGNER BEFORE PROCEEDING WITH WORK.

-REV/	-ISSUED FOR	-DATE



**STUDIO MUNGE**  
25 WINGOLD AVENUE  
TORONTO, ONTARIO  
M6B 1P8 CANADA  
416.588.1668  
STUDIOMUNGE.COM

**-SCALE**  
AS NOTED

**-DATE**  
6/6/17

**-DRAWN BY**  
AM

**-CHECKED BY**

**-PROJECT NAME**

PARK HYATT TORONTO

**-DRAWING TITLE**

CG-323  
STANDARD KING MINIBAR

**-PROJECT NUMBER**  
16122

**-DRAWING NUMBER**  
5 / 5

13 | CG-323 | STANDARD KING MINIBAR  
NTS | RENDERED VIEW