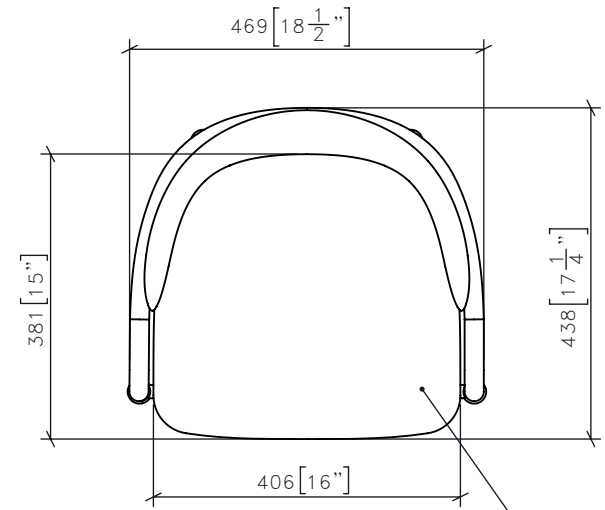
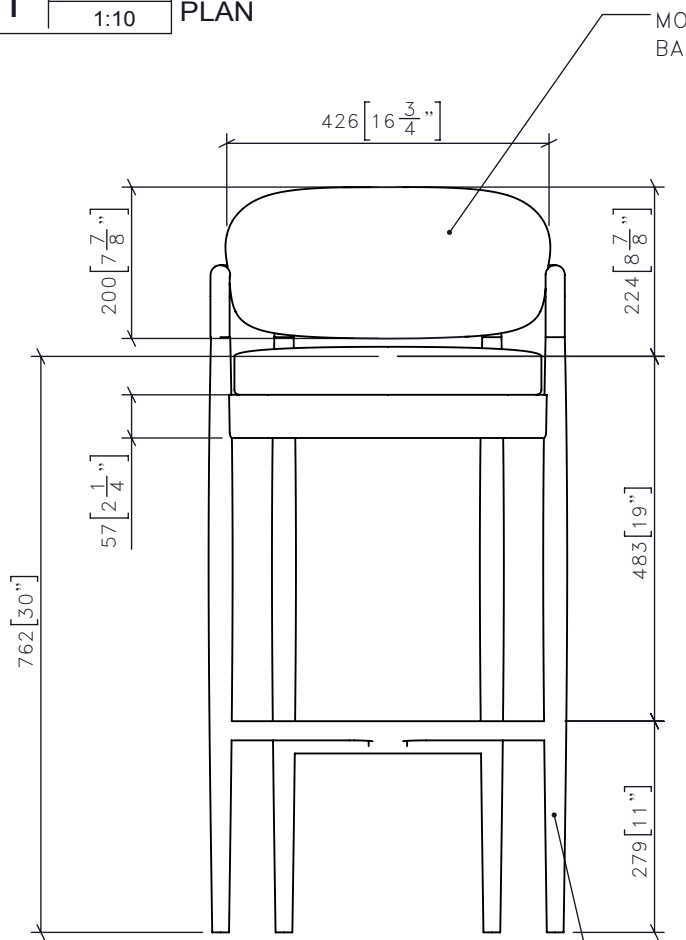


-REV/	-ISSUED FOR	-DATE



TIGHT UPHOLSTERED FIXED SEAT

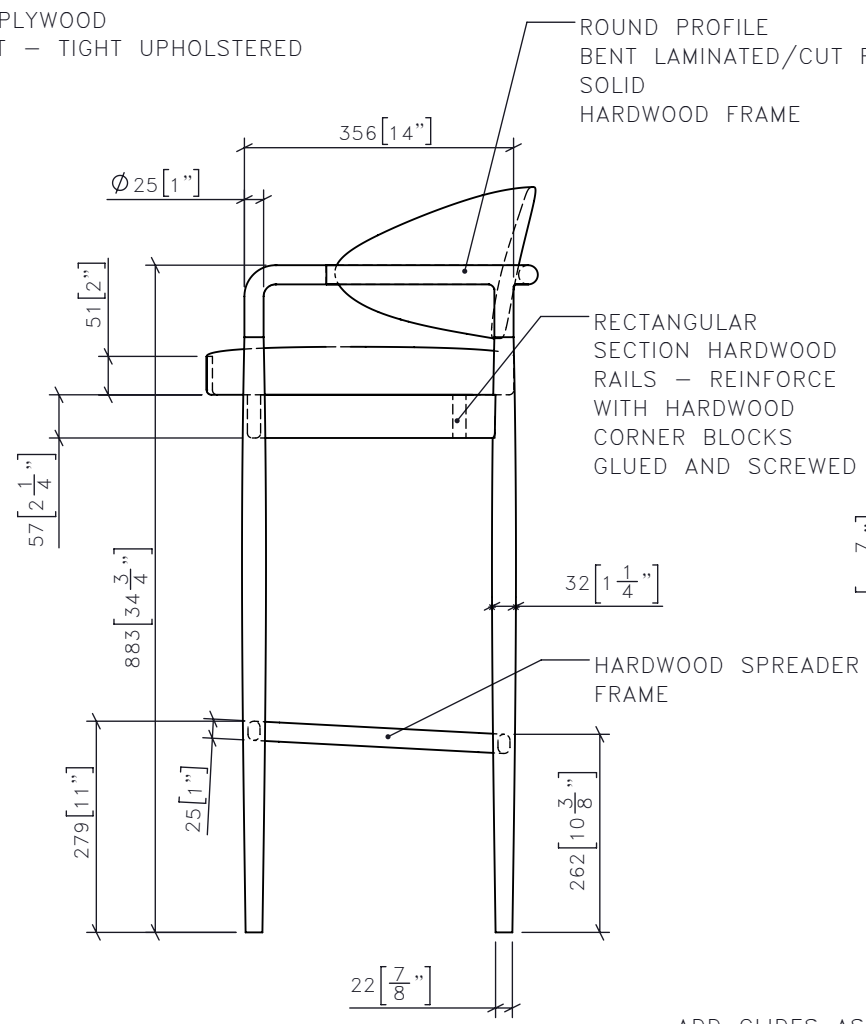
1 | SG-06 | **BARSTOOL AT BAR PLAN**
1:10



MOLDED PLYWOOD BACKREST - TIGHT UPHOLSTERED

TAPERED ROUND TURNED HARDWOOD LEGS 1" TO 1-1/4" TO 7/8"

2 | SG-06 | **BARSTOOL AT BAR FRONT ELEVATION**
1:10

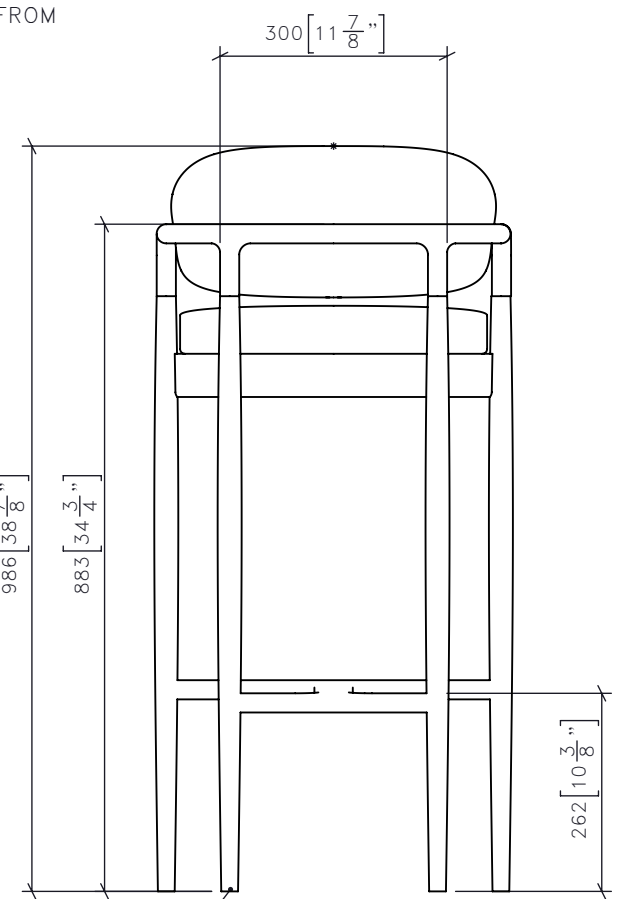


ROUND PROFILE BENT LAMINATED/CUT FROM SOLID HARDWOOD FRAME

RECTANGULAR SECTION HARDWOOD RAILS - REINFORCE WITH HARDWOOD CORNER BLOCKS GLUED AND SCREWED

HARDWOOD SPREADER FRAME

3 | SG-06 | **BARSTOOL AT BAR SIDE ELEVATION**
1:10



ADD GLIDES AS NEEDED

4 | SG-06 | **BARSTOOL AT BAR REAR ELEVATION**
1:10

STUDIO MUNGE
25 WINGOLD AVENUE
TORONTO, ONTARIO
M6B 1P8 CANADA
416.588.1668
STUDIOMUNGE.COM

-SCALE AS NOTED
-DATE 7/13/17

-DRAWN BY AM
-CHECKED BY

-PROJECT NAME

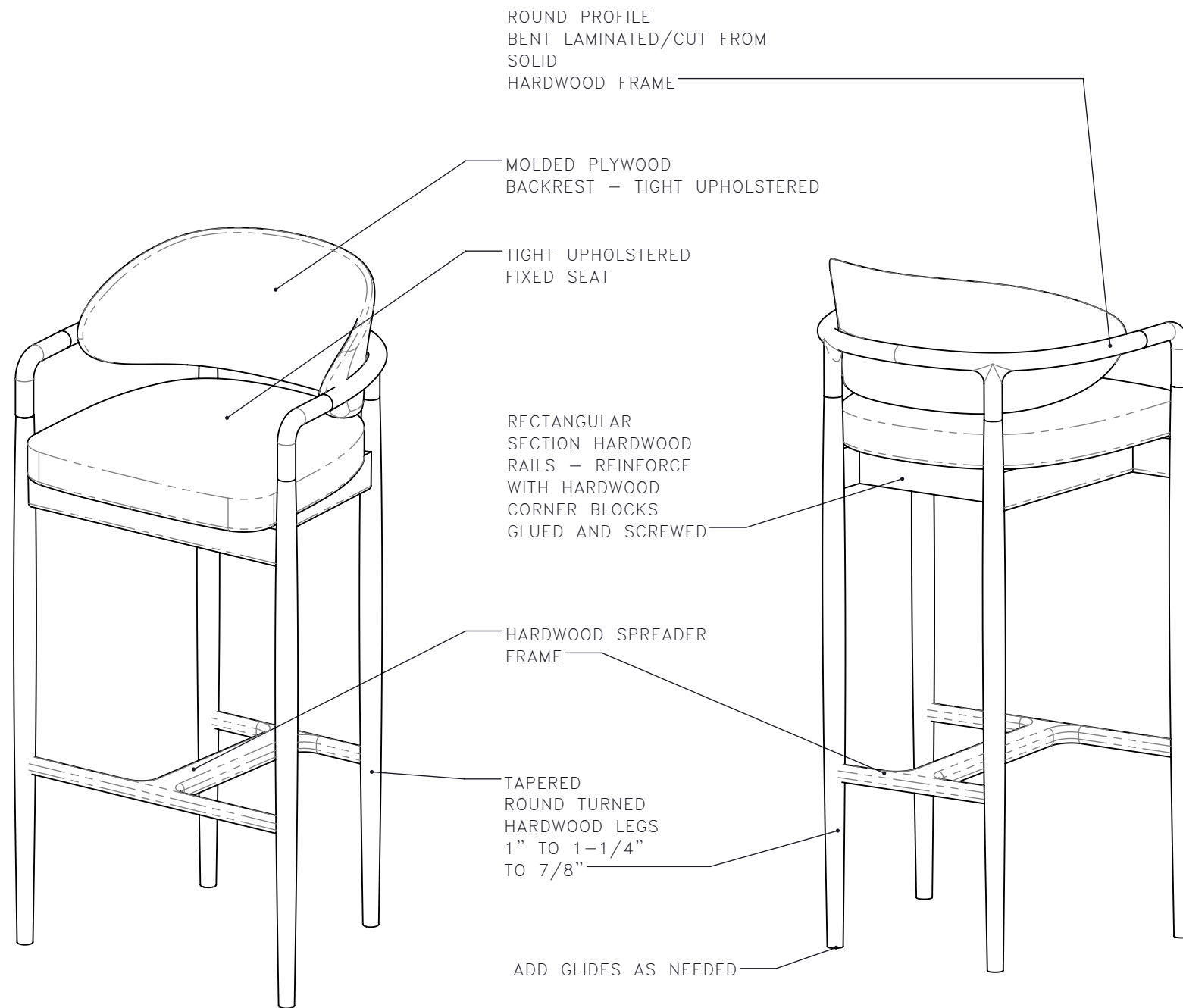
15 CHARLES ST.

-DRAWING TITLE

SG-06
BARSTOOL AT BAR

-PROJECT NUMBER
16113

-DRAWING NUMBER
1 / 4



-REV/	-ISSUED FOR	-DATE

STUDIO MUNGE
 25 WINGOLD AVENUE
 TORONTO, ONTARIO
 M6B 1P8 CANADA
 416.588.1668
 STUDIOMUNGE.COM

-SCALE
AS NOTED

-DATE
7/13/17

-DRAWN BY
AM

-CHECKED BY

-PROJECT NAME

15 CHARLES ST.

-DRAWING TITLE

SG-06
BARSTOOL AT BAR

-PROJECT NUMBER
16113

-DRAWING NUMBER
2 / 4

5 | SG-06 | BARSTOOL AT BAR
1:8 | REAR ISOMETRIC

6 | SG-06 | BARSTOOL AT BAR
1:8 | REAR ISOMETRIC

STUDIO MUNGE
E
D
C
B
A
Y

FOR DESIGN INTENT ONLY

DRAWING ARE NOT TO BE SCALED. CONTRACTOR MUST CHECK AND VERIFY ALL JOB DIMENSIONS, DRAWINGS, DETAILS AND SPECIFICATIONS; AND REPORT ANY DISCREPANCIES TO DESIGNER BEFORE PROCEEDING WITH WORK.

-REV/	-ISSUED FOR	-DATE



STUDIO MUNGE
25 WINGOLD AVENUE
TORONTO, ONTARIO
M6B 1P8 CANADA
416.588.1668
STUDIOMUNGE.COM

-SCALE AS NOTED	-DATE 7/13/17
-DRAWN BY AM	-CHECKED BY
-PROJECT NAME 15 CHARLES ST.	
-DRAWING TITLE SG-06 BARSTOOL AT BAR	
-PROJECT NUMBER 16113	
-DRAWING NUMBER 3 / 4	

7	SG-06	BARSTOOL AT BAR RENDERED VIEW
	NTS	

STUDIO MUNGE
E
D
C
B
A
Y

FOR DESIGN INTENT ONLY

DRAWING ARE NOT TO BE SCALED. CONTRACTOR MUST CHECK AND VERIFY ALL JOB DIMENSIONS, DRAWINGS, DETAILS AND SPECIFICATIONS; AND REPORT ANY DISCREPANCIES TO DESIGNER BEFORE PROCEEDING WITH WORK.

-REV/	-ISSUED FOR	-DATE



**STUDIO
MUNGE**
25 WINGOLD AVENUE
TORONTO, ONTARIO
M6B 1P8 CANADA
416.588.1668
STUDIOMUNGE.COM

-SCALE
AS NOTED

-DATE
7/13/17

-DRAWN BY
AM

-CHECKED BY

-PROJECT NAME

15 CHARLES ST.

-DRAWING TITLE

SG-06
BARSTOOL AT BAR

-PROJECT NUMBER
16113

-DRAWING NUMBER
4 / 4

8 | SG-06 | BARSTOOL AT BAR
NTS | RENDERED VIEW