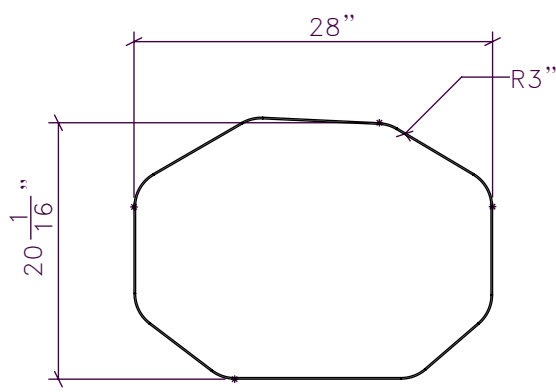


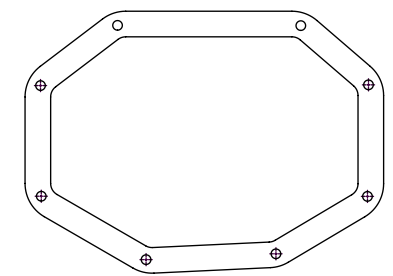
FOR DESIGN INTENT ONLY

DRAWING ARE NOT TO BE SCALED. CONTRACTOR MUST CHECK AND VERIFY ALL JOB DIMENSIONS, DRAWINGS, DETAILS AND SPECIFICATIONS; AND REPORT ANY DISCREPANCIES TO DESIGNER BEFORE PROCEEDING WITH WORK.

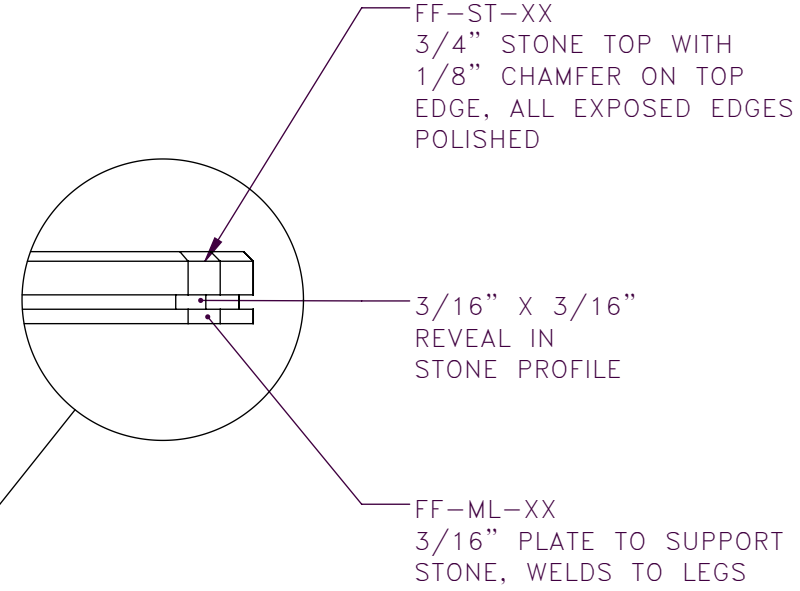
REV	ISSUED FOR	DATE



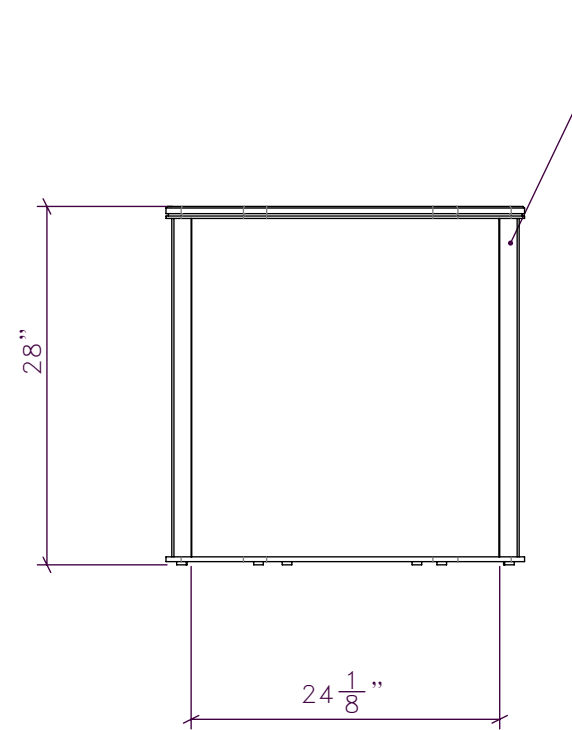
1 CG-07
1:15 **LOUNGE TABLE PLAN**



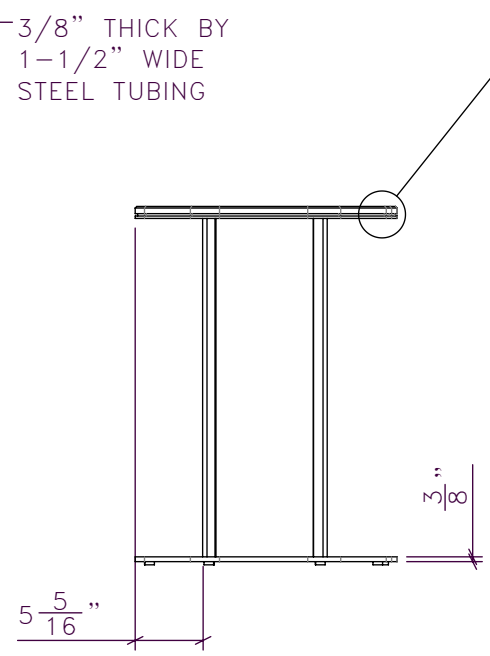
3 CG-07
1:15 **LOUNGE TABLE BOTTOM VIEW**



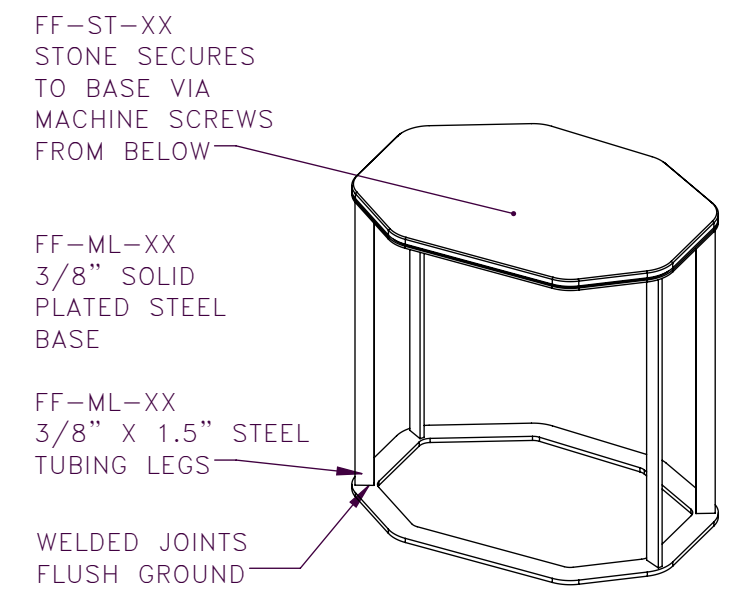
5 CG-07
1:15 **LOUNGE TABLE DETAIL**



2 CG-07
1:15 **LOUNGE TABLE SIDE ELEVATION**



4 CG-07
1:15 **LOUNGE TABLE SIDE ELEVATION**



6 CG-07
1:15 **LOUNGE TABLE ISOMETRIC**

STUDIO MUNGE
25 WINGOLD AVENUE
TORONTO, ONTARIO
M6B 1P8 CANADA
416.588.1668
STUDIOMUNGE.COM

SCALE AS NOTED
DATE 1/9/18

DRAWN BY EH
CHECKED BY

PROJECT NAME
PARK HYATT L.A. M.U.R.

DRAWING TITLE
CG-07
LOUNGE TABLE

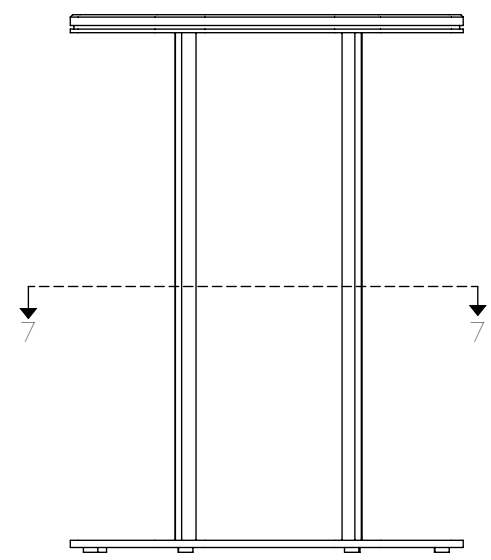
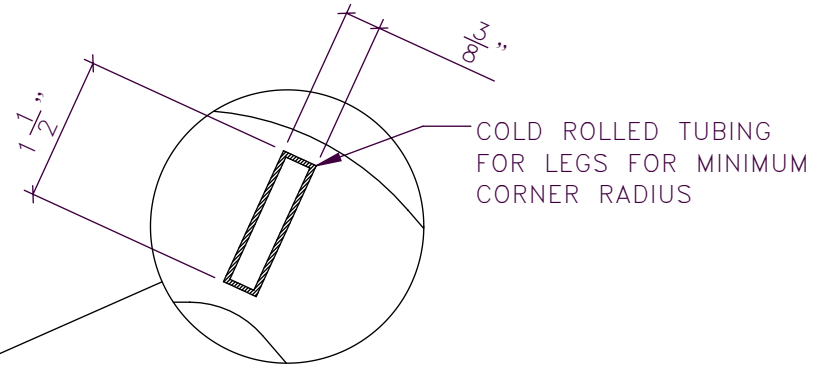
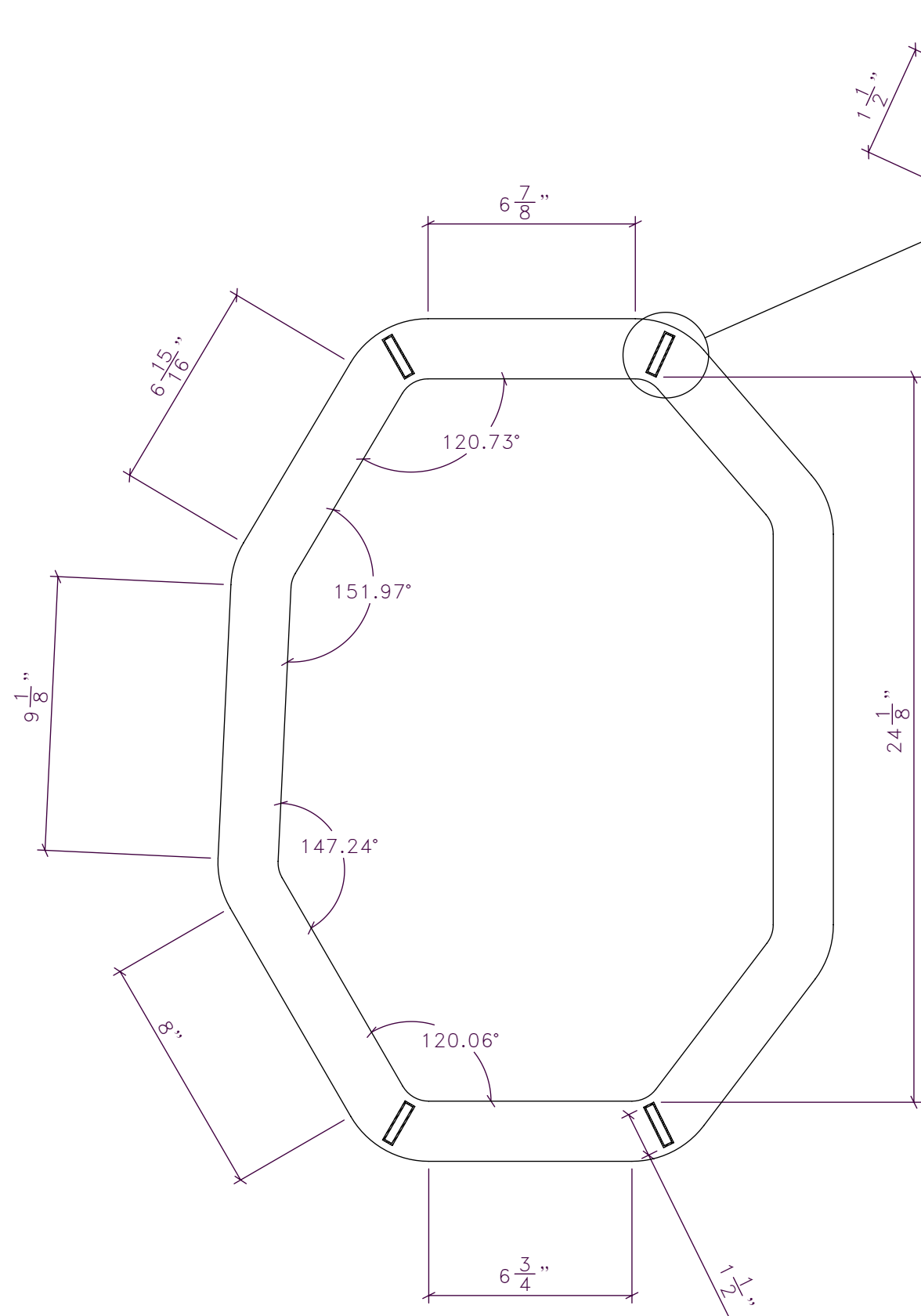
PROJECT NUMBER
14138

DRAWING NUMBER
1 / 3

FOR DESIGN INTENT ONLY

DRAWING ARE NOT TO BE SCALED. CONTRACTOR MUST CHECK AND VERIFY ALL JOB DIMENSIONS, DRAWINGS, DETAILS AND SPECIFICATIONS; AND REPORT ANY DISCREPANCIES TO DESIGNER BEFORE PROCEEDING WITH WORK.

REV	ISSUED FOR	DATE



7 | CG-07 | LOUNGE TABLE
1:5 | SECTION D

8 | CG-07 | LOUNGE TABLE
1:15 | SIDE ELEVATION

STUDIO MUNGE
 25 WINGOLD AVENUE
 TORONTO, ONTARIO
 M6B 1P8 CANADA
 416.588.1668
 STUDIOMUNGE.COM

-SCALE AS NOTED	-DATE 1/9/18
-DRAWN BY EH	-CHECKED BY
-PROJECT NAME PARK HYATT L.A. M.U.R.	
-DRAWING TITLE CG-07 LOUNGE TABLE	
-PROJECT NUMBER 14138	
-DRAWING NUMBER 2 / 3	

STUDIO MUNGE
Y
E
M
D
C
B
A
Y

FOR DESIGN INTENT ONLY

DRAWING ARE NOT TO BE SCALED. CONTRACTOR MUST CHECK AND VERIFY ALL JOB DIMENSIONS, DRAWINGS, DETAILS AND SPECIFICATIONS; AND REPORT ANY DISCREPANCIES TO DESIGNER BEFORE PROCEEDING WITH WORK.

REV.	ISSUED FOR	DATE



STUDIO MUNGE
25 WINGOLD AVENUE
TORONTO, ONTARIO
M6B 1P8 CANADA
416.588.1668
STUDIOMUNGE.COM

-SCALE AS NOTED	-DATE 1/9/18
-DRAWN BY EH	-CHECKED BY
-PROJECT NAME PARK HYATT L.A. M.U.R.	
-DRAWING TITLE CG-07 LOUNGE TABLE	
-PROJECT NUMBER 14138	
-DRAWING NUMBER 3 / 3	

9	CG-07	LOUNGE TABLE RENDERED VIEW
	1:15	