

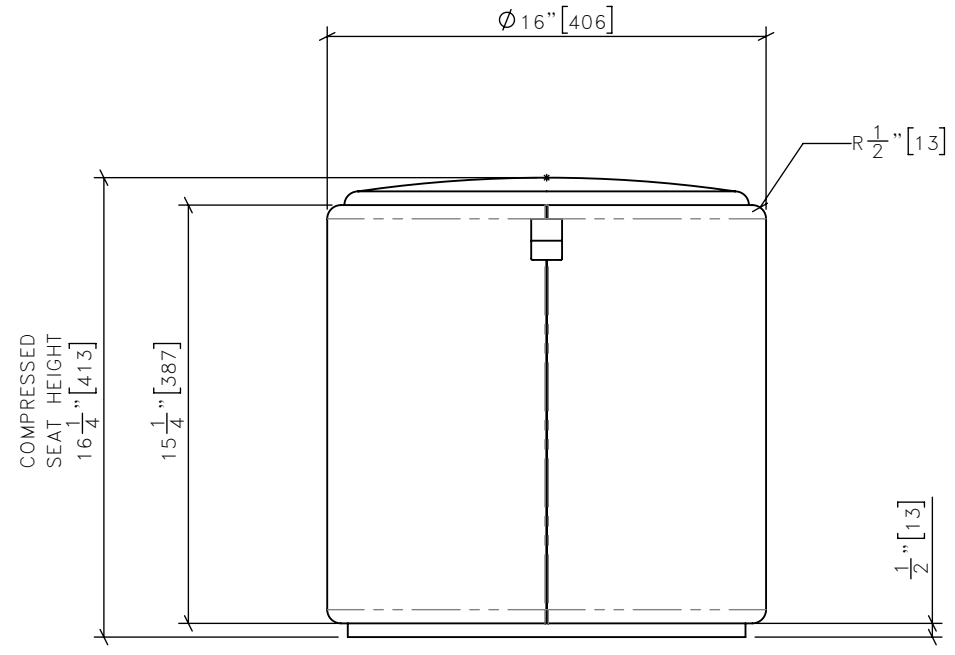
FOR DESIGN INTENT ONLY

DRAWING ARE NOT TO BE SCALED. CONTRACTOR MUST CHECK AND VERIFY ALL JOB DIMENSIONS, DRAWINGS, DETAILS AND SPECIFICATIONS; AND REPORT ANY DISCREPANCIES TO DESIGNER BEFORE PROCEEDING WITH WORK.

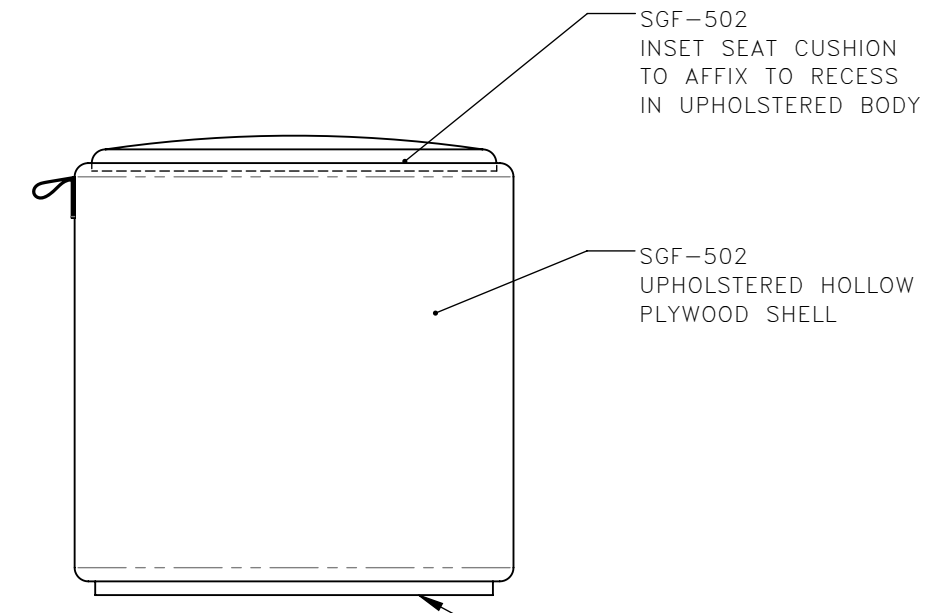
| REV. | ISSUED FOR | DATE |
|------|------------|------|
| | | |

STUDIO MUNGE
 25 WINGOLD AVENUE
 TORONTO, ONTARIO
 M6B 1P8 CANADA
 416.588.1668
 STUDIOMUNGE.COM

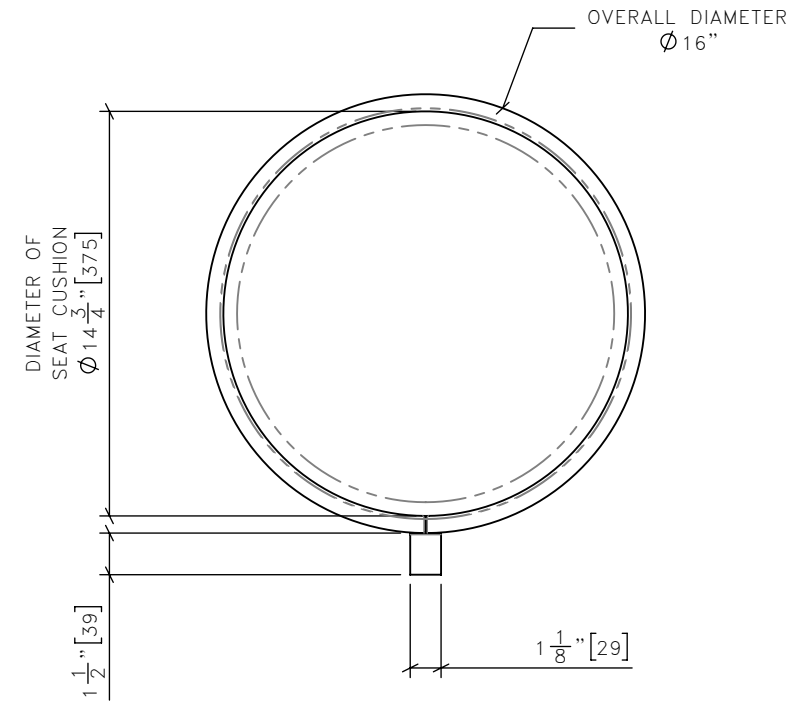
| | |
|---|-------------------------|
| SCALE AS NOTED | DATE 12/20/17 |
| DRAWN BY EH | CHECKED BY |
| PROJECT NAME PARK HYATT L.A. M.U.R. | |
| DRAWING TITLE SG-502 OTTOMAN | |
| PROJECT NUMBER 14138 | |
| DRAWING NUMBER 1 / 2 | |



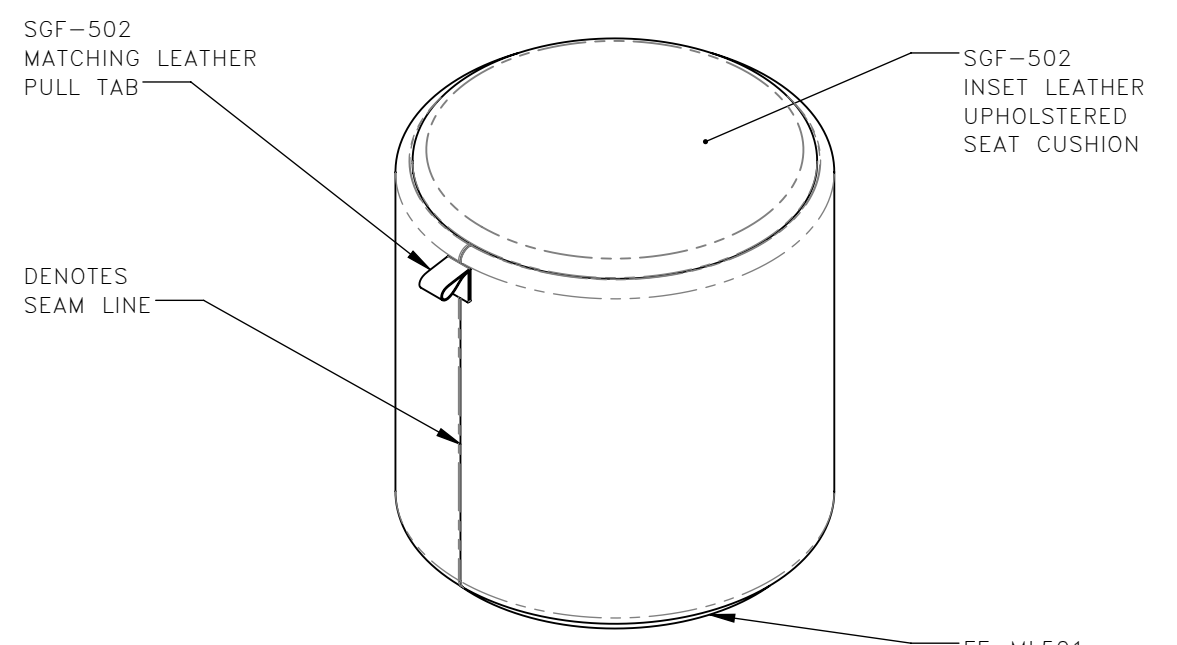
1 | SG-502 | OTTOMAN FRONT ELEVATION
1:7



3 | SG-502 | OTTOMAN SIDE ELEVATION
1:7



2 | SG-502 | OTTOMAN PLAN
1:7



4 | SG-502 | OTTOMAN ISOMETRIC
1:7

STUDIO MUNGE
E
D
C
B
A
Y

FOR DESIGN INTENT ONLY

DRAWING ARE NOT TO BE SCALED. CONTRACTOR MUST CHECK AND VERIFY ALL JOB DIMENSIONS, DRAWINGS, DETAILS AND SPECIFICATIONS; AND REPORT ANY DISCREPANCIES TO DESIGNER BEFORE PROCEEDING WITH WORK.

| REV. | ISSUED FOR | DATE |
|------|------------|------|
| | | |



**STUDIO
MUNGE**
25 WINGOLD AVENUE
TORONTO, ONTARIO
M6B 1P8 CANADA
416.588.1668
STUDIOMUNGE.COM

SCALE
AS NOTED

DATE
12/20/17

DRAWN BY
EH

CHECKED BY

PROJECT NAME

PARK HYATT L.A. M.U.R.

DRAWING TITLE

SG-502
OTTOMAN

PROJECT NUMBER
14138

DRAWING NUMBER
2 / 2

5 | SG-502 | OTTOMAN
NTS | | RENDERING