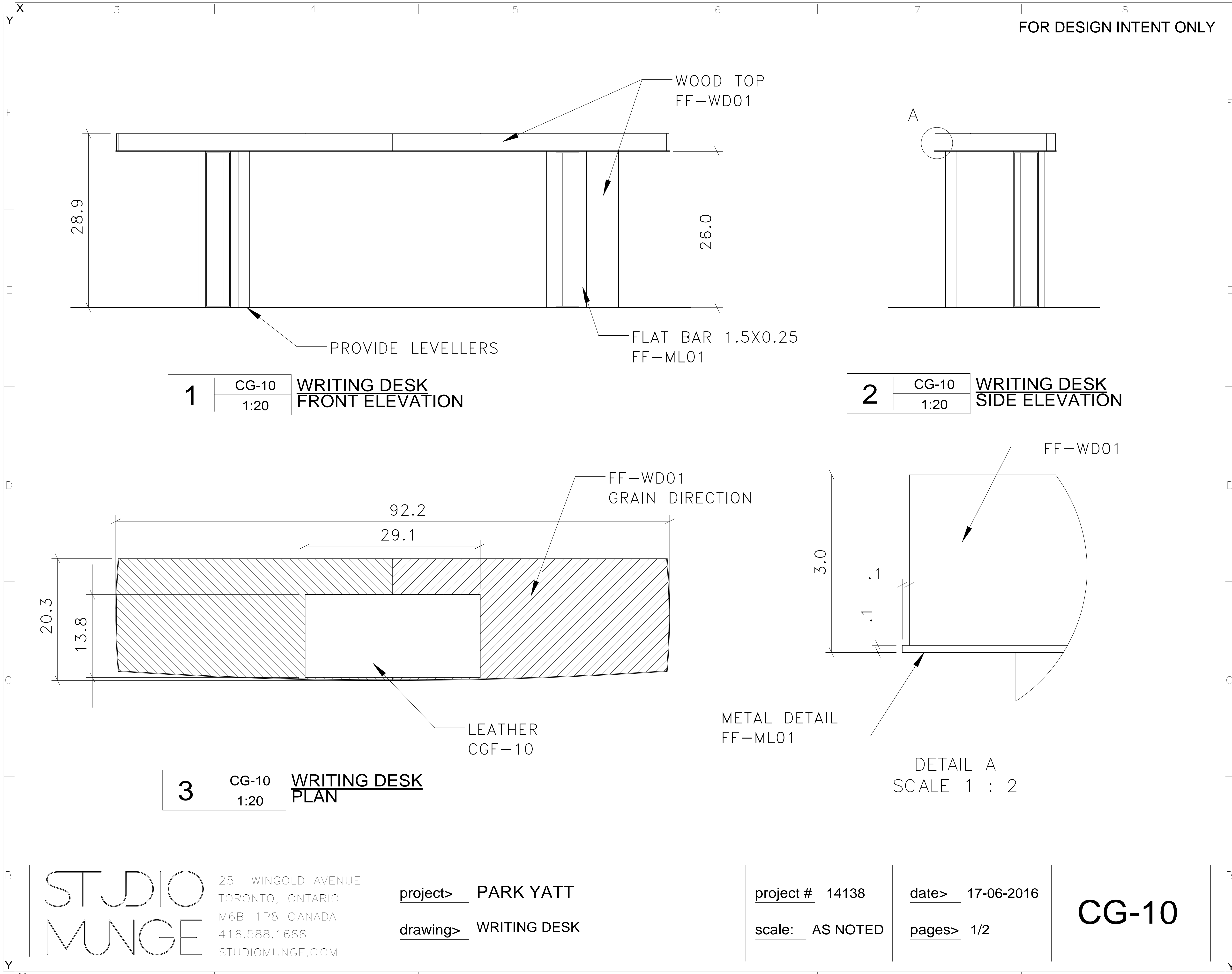


S:\03_S\03_CAD\DWG\STANDARDS\EXISTING PROJECTS\METRIC\TITLEBLOCKS\M_8_5X11 TITLE BLOCK\METRIC_HORIZ.dwg



FOR DESIGN INTENT ONLY

1 CG-10 1:20 **WRITING DESK FRONT ELEVATION**

2 CG-10 1:20 **WRITING DESK SIDE ELEVATION**

3 CG-10 1:20 **WRITING DESK PLAN**

DETAIL A
SCALE 1 : 2

STUDIO MUNGE
25 WINGOLD AVENUE
TORONTO, ONTARIO
M6B 1P8 CANADA
416.588.1688
STUDIOMUNGE.COM

project> **PARK YATT**
drawing> **WRITING DESK**

project # **14138** date> **17-06-2016**
scale: **AS NOTED** pages> **1/2**

CG-10

STUDIO MUNGE

X

Y

3

4

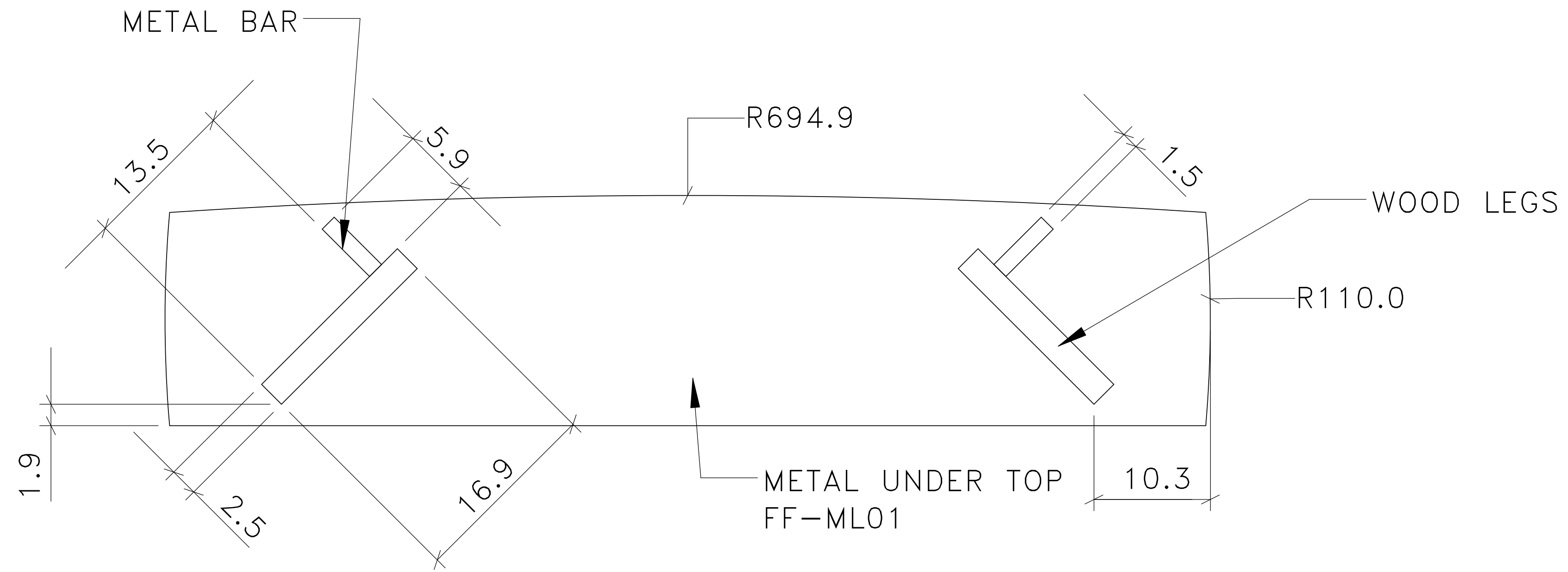
5

6

7

8

FOR DESIGN INTENT ONLY



4	CG-10	WRITING DESK BOTTOM VIEW
	1:20	



S:\03_S\03_CAD\DWG\STANDARDS\EXISTING PROJECTS\METRIC\TITBLOCKS\SM_8.5X11 TITLE BLOCK\METRIC_HORIZ.dwg

**STUDIO
MUNGE**

25 WINGOLD AVENUE
TORONTO, ONTARIO
M6B 1P8 CANADA
416.588.1688
STUDIOMUNGE.COM

project> **PARK YATT**

drawing> **WRITING DESK**

project # **14138**

scale: **AS NOTED**

date> **17-06-2016**

pages> **2/2**

CG-10

X

3

4

5

6

7

8

Y