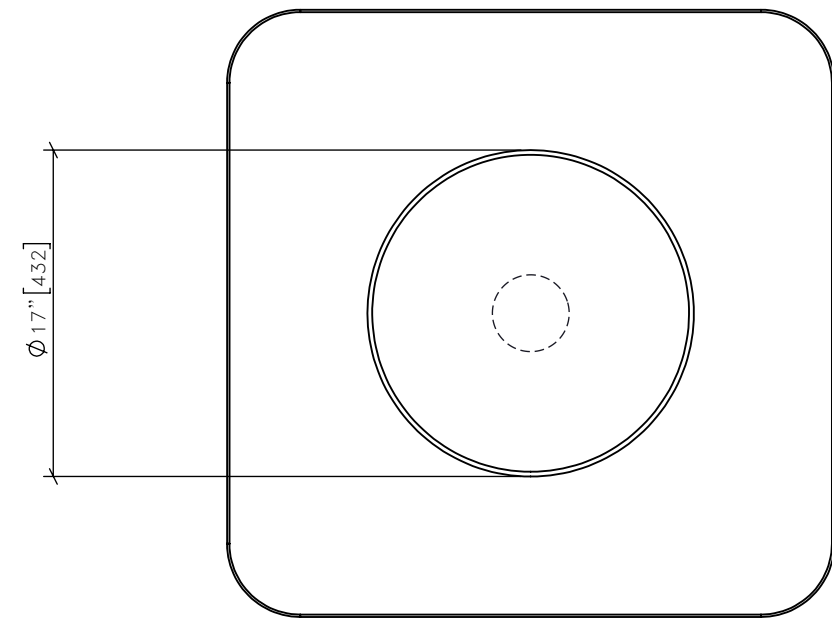
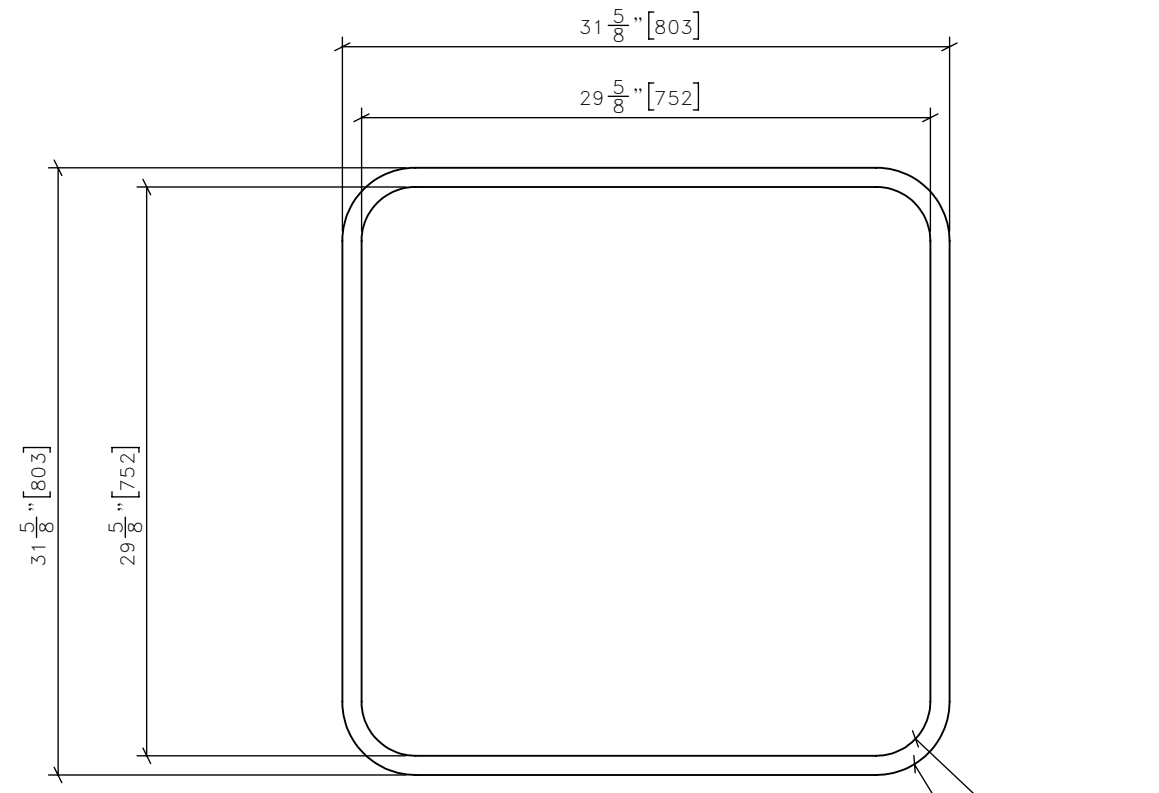


FOR DESIGN INTENT ONLY

DRAWING ARE NOT TO BE SCALED. CONTRACTOR MUST CHECK AND VERIFY ALL JOB DIMENSIONS, DRAWINGS, DETAILS AND SPECIFICATIONS, AND REPORT ANY DISCREPANCIES TO DESIGNER BEFORE PROCEEDING WITH WORK.

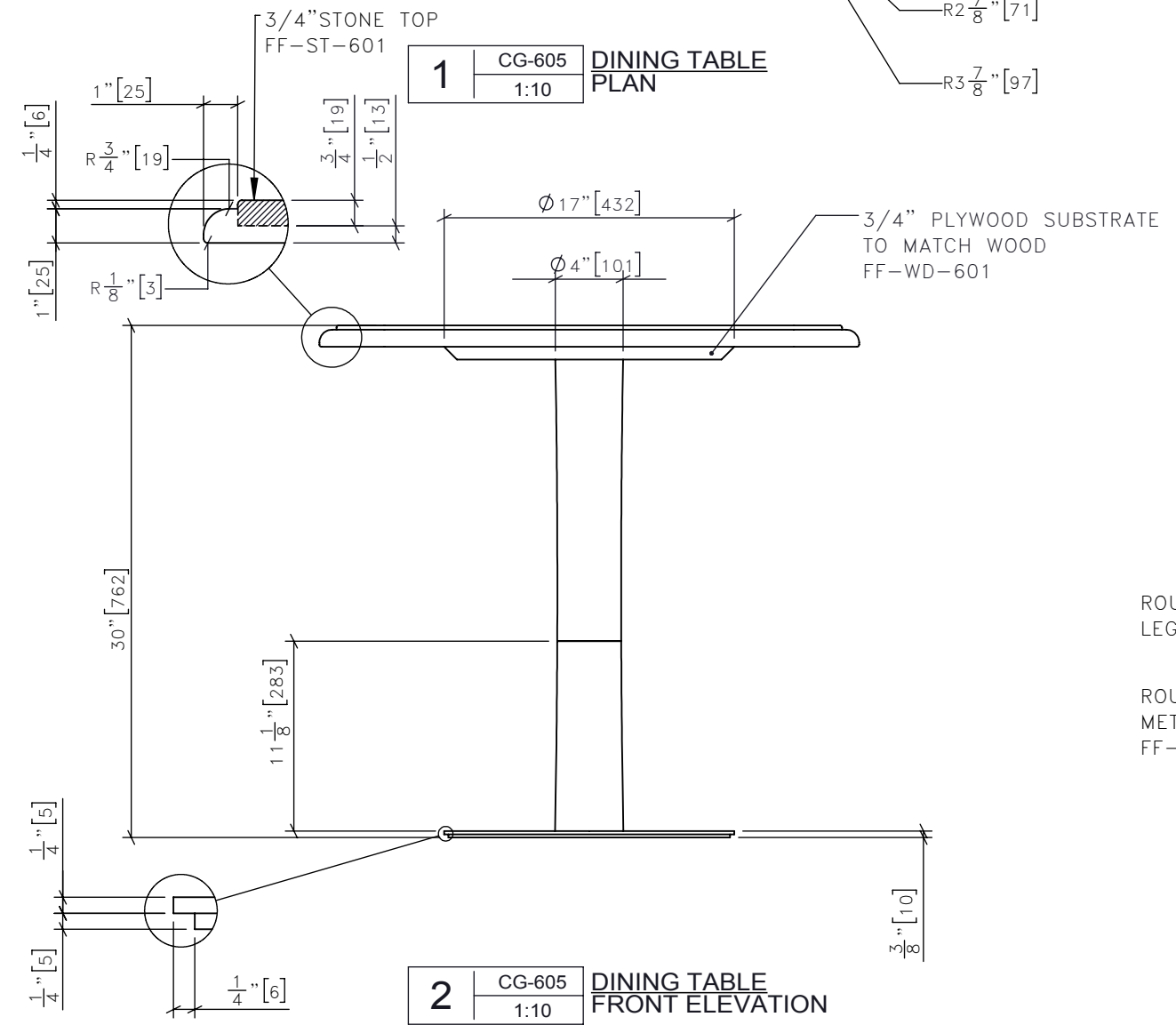
GRIND ALL WELDS  
FLUSH AND SEAMLESS  
  
EASE AND POLISH ALL  
STONE EDGES

REV.	ISSUED FOR	DATE

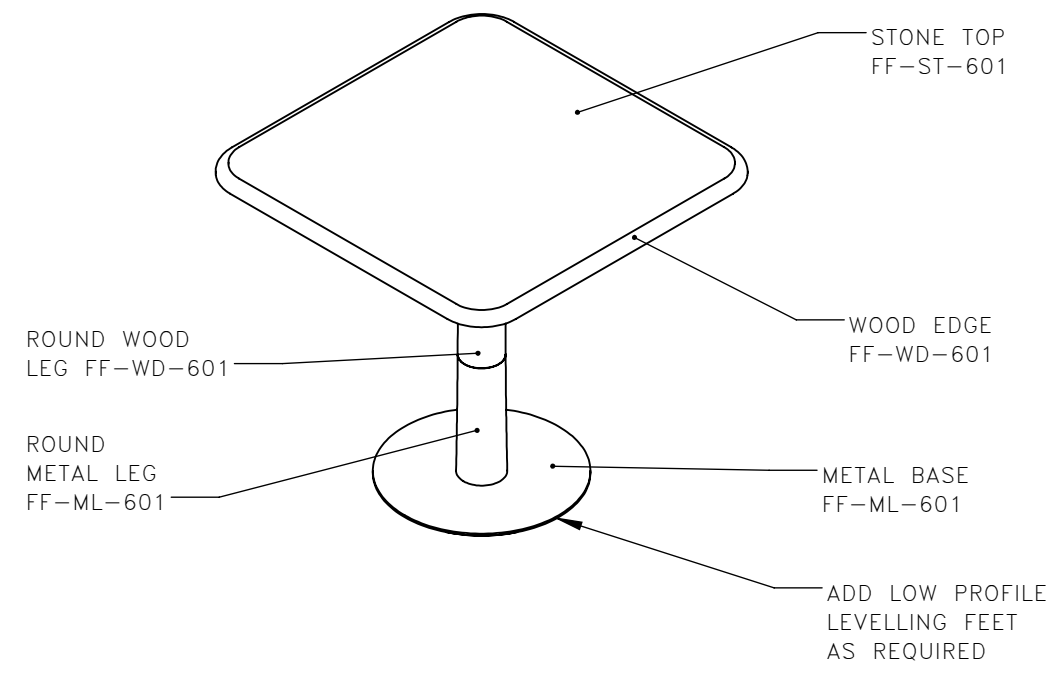


**1** CG-605 DINING TABLE PLAN  
1:10

**3** CG-605 DINING TABLE BOTTOM VIEW  
1:10



**2** CG-605 DINING TABLE FRONT ELEVATION  
1:10



**1** CG-605 DINING TABLE ISOMETRIC  
1:15

**STUDIO MUNGE**  
25 WINGOLD AVENUE  
TORONTO, ONTARIO  
M6B 1P8 CANADA  
416.588.1668  
STUDIOMUNGE.COM

<b>-SCALE</b> AS NOTED	<b>-DATE</b> 12/20/17
<b>-DRAWN BY</b> EH	<b>-CHECKED BY</b>
<b>-PROJECT NAME</b>  PARK HYATT L.A. RESTAURANT	
<b>-DRAWING TITLE</b>  CG-605 DINING TABLE IN CENTER	
<b>-PROJECT NUMBER</b> 14138	
<b>-DRAWING NUMBER</b> 1 / 2	

STUDIO MUNGE  
Y  
E  
M  
D  
C  
B  
A  
Y

FOR DESIGN INTENT ONLY

DRAWING ARE NOT TO BE SCALED. CONTRACTOR MUST CHECK AND VERIFY ALL JOB DIMENSIONS, DRAWINGS, DETAILS AND SPECIFICATIONS; AND REPORT ANY DISCREPANCIES TO DESIGNER BEFORE PROCEEDING WITH WORK.

REV	ISSUED FOR	DATE



**STUDIO  
MUNGE**  
25 WINGOLD AVENUE  
TORONTO, ONTARIO  
M6B 1P8 CANADA  
416.588.1668  
STUDIOMUNGE.COM

<b>-SCALE</b> AS NOTED	<b>-DATE</b> 12/20/17
<b>-DRAWN BY</b> EH	<b>-CHECKED BY</b> 
<b>-PROJECT NAME</b>  PARK HYATT L.A. RESTAURANT	
<b>-DRAWING TITLE</b>  CG-605 DINING TABLE IN CENTER	
<b>-PROJECT NUMBER</b> 14138	
<b>-DRAWING NUMBER</b> 2 / 2	

4	CG-605	DINING TABLE RENDERING
	NTS	