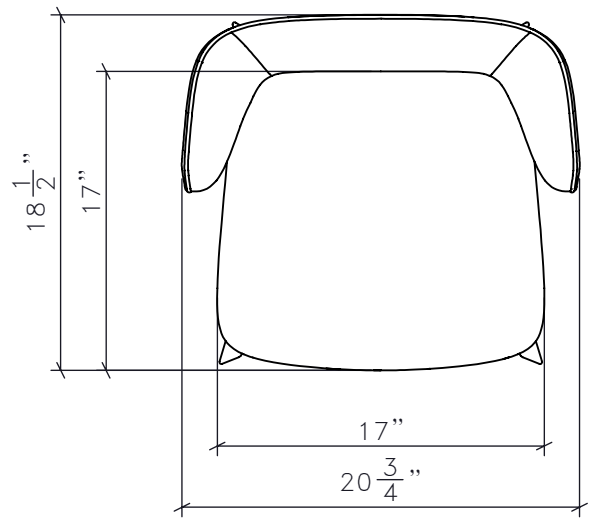
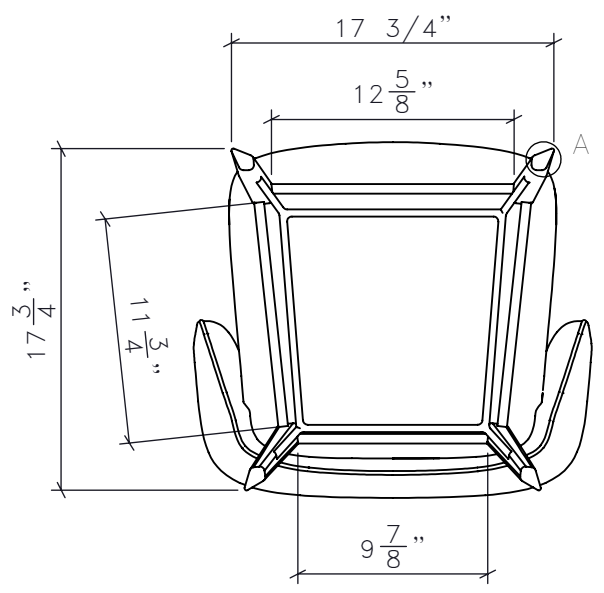


DRAWING ARE NOT TO BE SCALED. CONTRACTOR MUST CHECK AND VERIFY ALL JOB DIMENSIONS, DRAWINGS, DETAILS AND SPECIFICATIONS; AND REPORT ANY DISCREPANCIES TO DESIGNER BEFORE PROCEEDING WITH WORK.

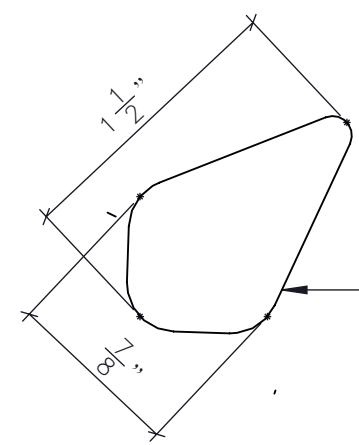
REV	ISSUED FOR	DATE



**1** F-6802 BAR STOOL  
1:10 PLAN VIEW



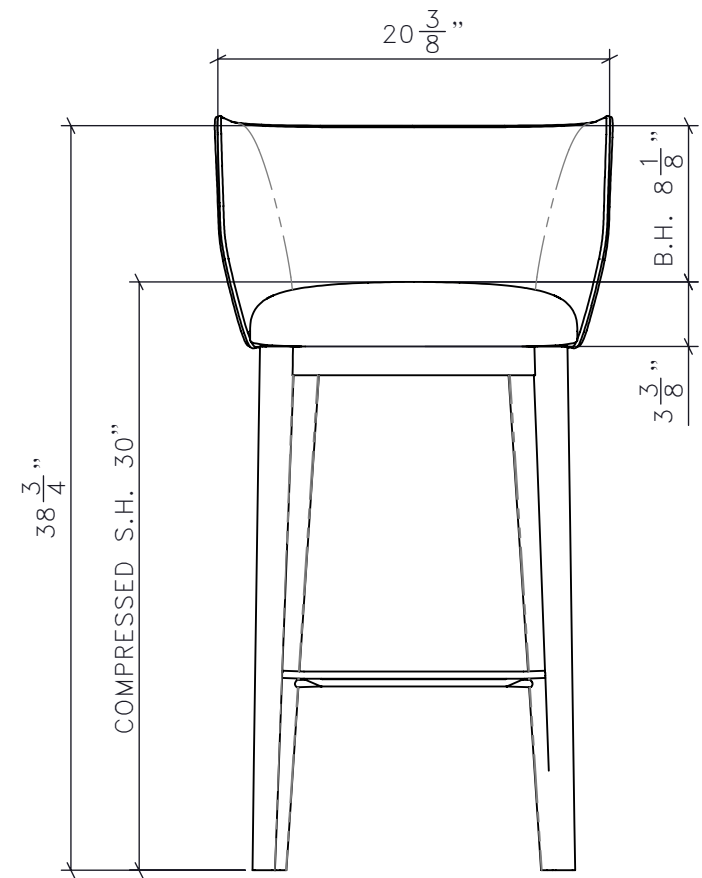
**2** F-6802 BAR STOOL  
1:10 BOTTEM PLAN VIEW



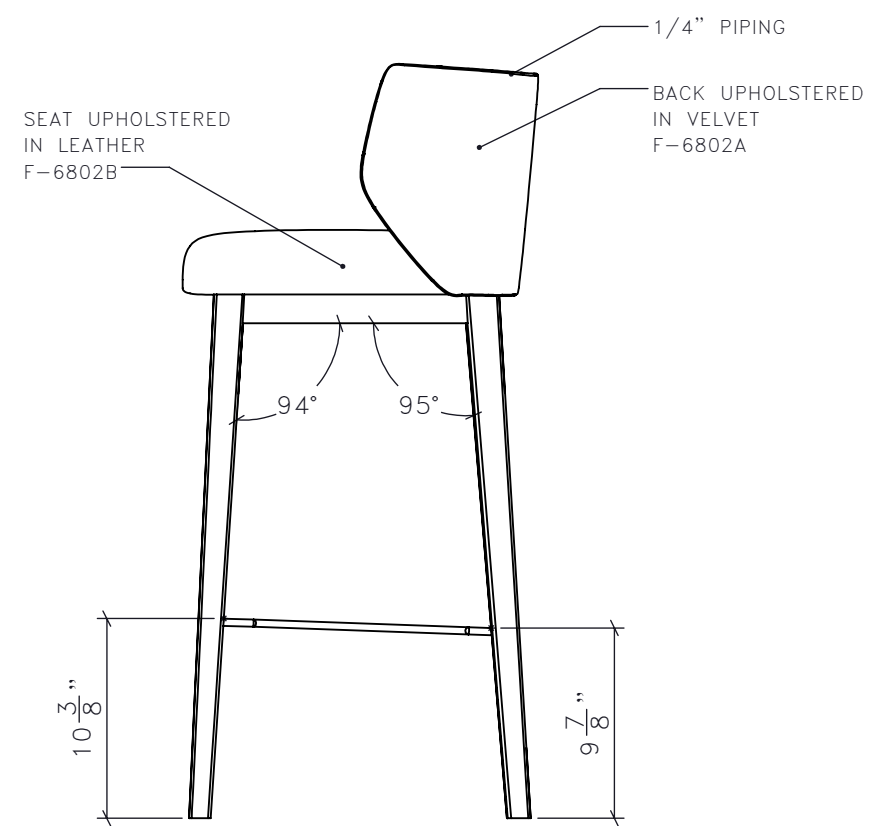
LEG PROFILE TAPERS FROM 1 1/2" X 7/8" TO 2 1/2" X 1 1/2"

**3** F-6802 BAR STOOL  
1:1 LEG PROFILE

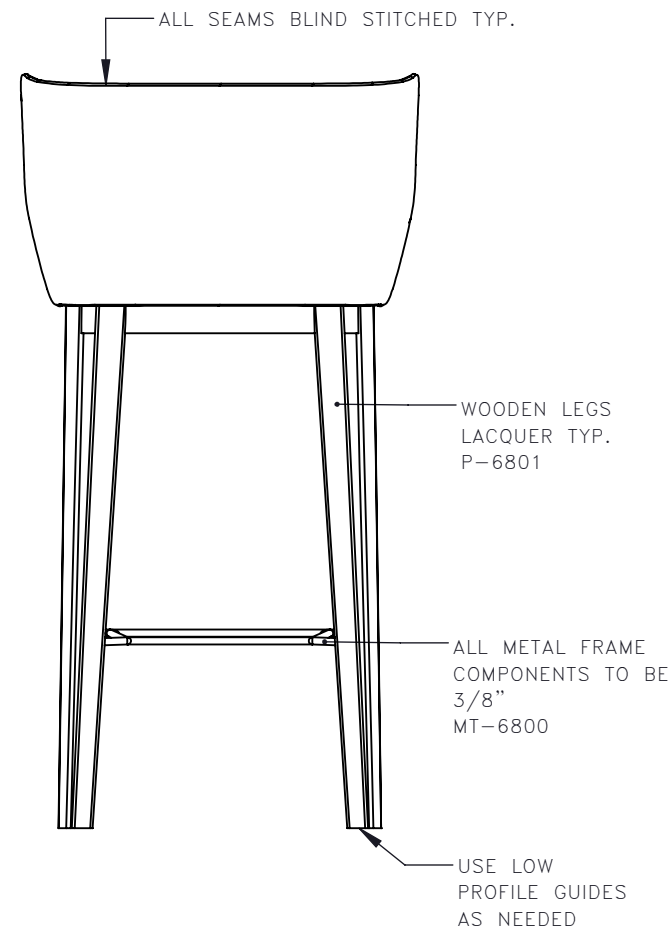
FOR DESIGN INTENT ONLY  
GRIND ALL WELDS FLUSH AND SEAMLESS  
ALL HARDWARE TO BE HIDDEN



**4** F-6802 BAR STOOL  
1:10 FRONT ELEVATION



**5** F-6802 BAR STOOL  
1:10 SIDE ELEVATION



**6** F-6802 BAR STOOL  
1:10 REAR ELEVATION

**STUDIO MUNGE**  
25 WINGOLD AVENUE  
TORONTO, ONTARIO  
M6B 1P8 CANADA  
416.588.1668  
STUDIOMUNGE.COM

<b>SCALE</b> AS NOTED	<b>DATE</b> 10/11/17
<b>DRAWN BY</b> LS	<b>CHECKED BY</b>
<b>PROJECT NAME</b> PALMS GHOST BAR	
<b>DRAWING TITLE</b> F-6802 BAR STOOL AT BAR	
<b>PROJECT NUMBER</b> 17101	
<b>DRAWING NUMBER</b> 1 / 2	

STUDIO MUNGE

FOR DESIGN INTENT ONLY

GRIND ALL WELDS  
FLUSH AND SEAMLESS

ALL HARDWARE TO BE  
HIDDEN

DRAWING ARE NOT TO BE SCALED. CONTRACTOR MUST CHECK AND VERIFY ALL JOB DIMENSIONS, DRAWINGS, DETAILS AND SPECIFICATIONS; AND REPORT ANY DISCREPANCIES TO DESIGNER BEFORE PROCEEDING WITH WORK.

REV	ISSUED FOR	DATE



**STUDIO  
MUNGE** 25 WINGOLD AVENUE  
TORONTO, ONTARIO  
M6B 1P8 CANADA  
416.588.1668  
STUDIOMUNGE.COM

**SCALE** AS NOTED **DATE** 10/11/17

**DRAWN BY** LS **CHECKED BY**

**PROJECT NAME**  
PALMS GHOST BAR

**DRAWING TITLE**  
F-6802  
BAR STOOL AT BAR

**PROJECT NUMBER**  
17101

**DRAWING NUMBER**  
2 / 2

7	F-6802	BAR STOOL RENDER VIEW
	NTS	