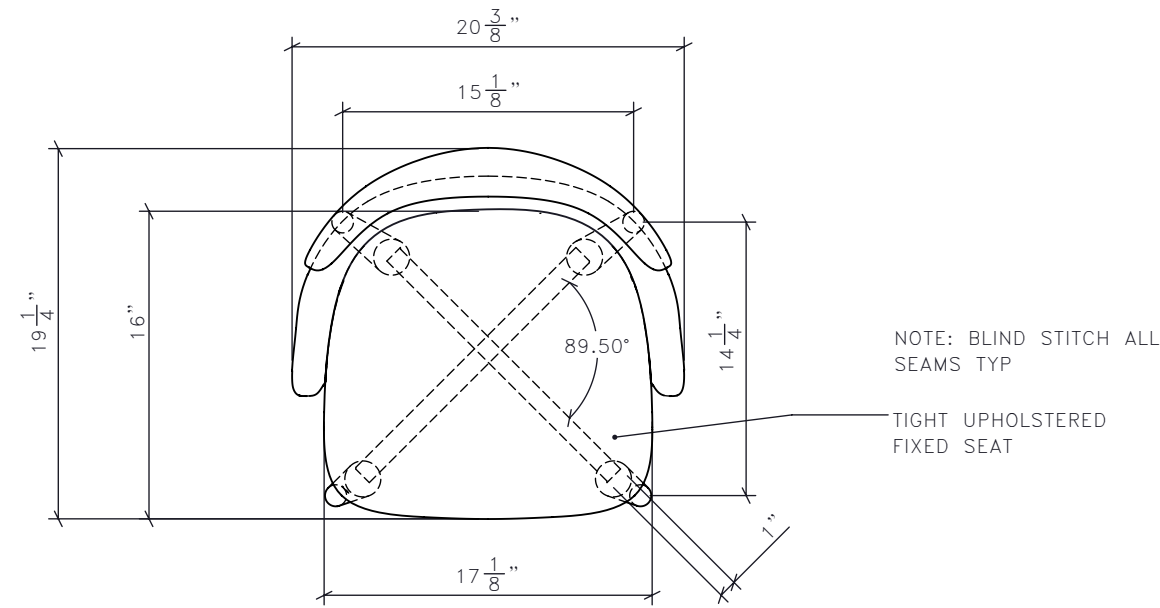


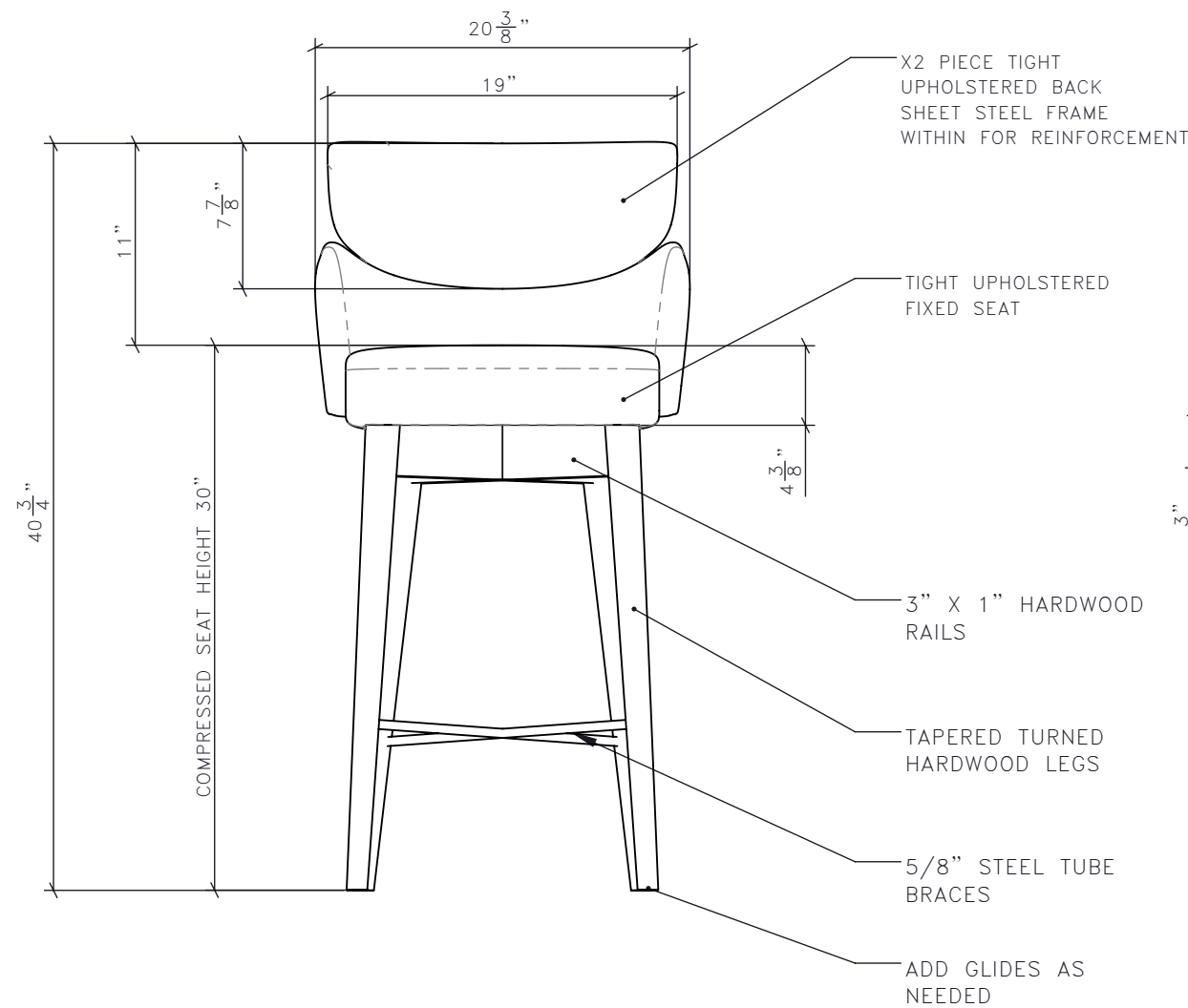
FOR DESIGN INTENT ONLY

DRAWING ARE NOT TO BE SCALED. CONTRACTOR MUST CHECK AND VERIFY ALL JOB DIMENSIONS, DRAWINGS, DETAILS AND SPECIFICATIONS; AND REPORT ANY DISCREPANCIES TO DESIGNER BEFORE PROCEEDING WITH WORK.

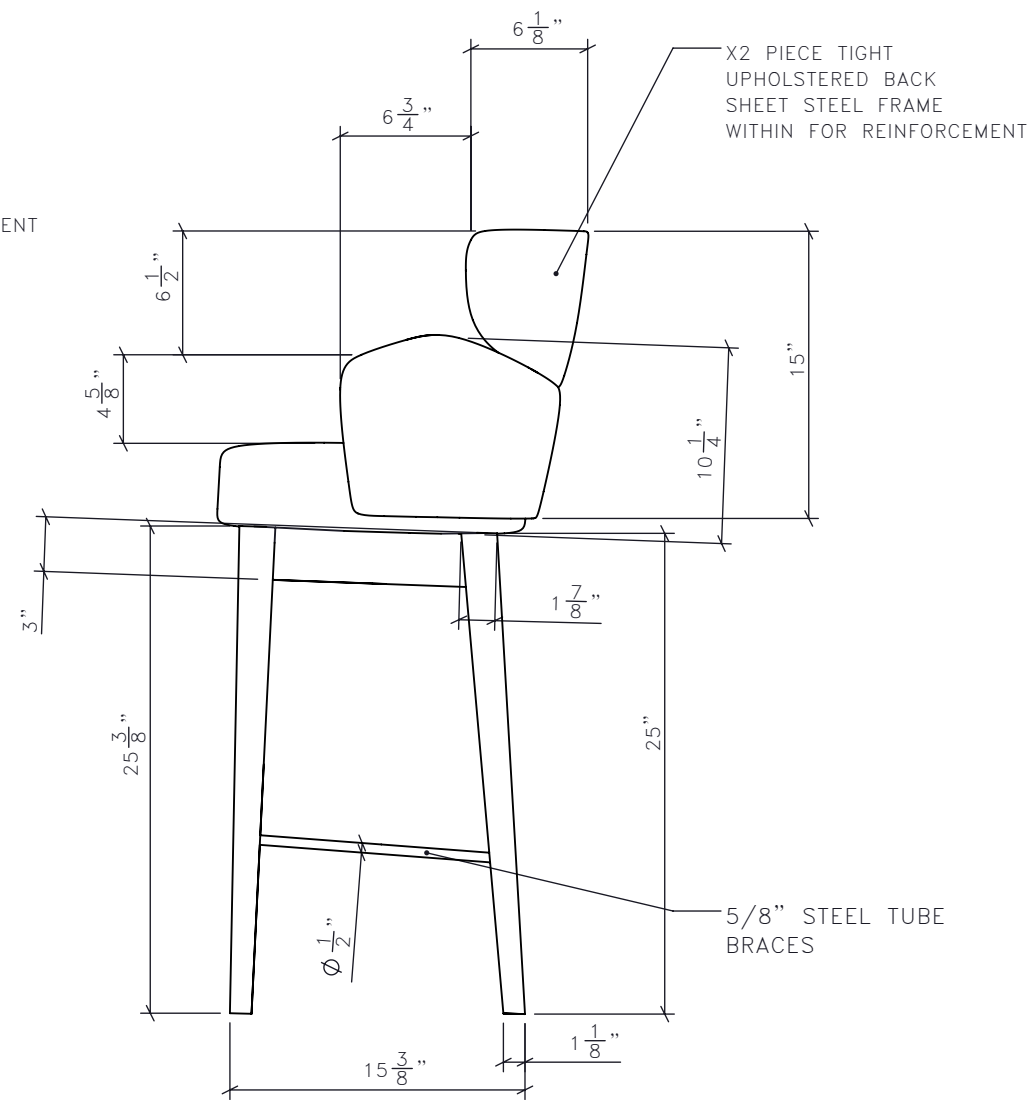
REV	ISSUED FOR	DATE



1 | SG-10 | HIGH LIMIT GAMING STOOL
1:10 | PLAN VIEW



2 | SG-10 | HIGH LIMIT GAMING STOOL
1:10 | FRONT ELEVATION



3 | SG-10 | HIGH LIMIT GAMING STOOL
1:10 | SIDE ELEVATION

STUDIO MUNGE
25 WINGOLD AVENUE
TORONTO, ONTARIO
M6B 1P8 CANADA
416.588.1668
STUDIOMUNGE.COM

SCALE AS NOTED | DATE 7/10/17

DRAWN BY LS | CHECKED BY

PROJECT NAME

PALMS BAR LOUNGE

DRAWING TITLE

SG-10
HIGH LIMIT GAMING STOOL

PROJECT NUMBER 16150

DRAWING NUMBER

1 / 2

STUDIO MUNGE
Y
E
M
D
C
B
A
Y

FOR DESIGN INTENT ONLY

DRAWING ARE NOT TO BE SCALED. CONTRACTOR MUST CHECK AND VERIFY ALL JOB DIMENSIONS, DRAWINGS, DETAILS AND SPECIFICATIONS; AND REPORT ANY DISCREPANCIES TO DESIGNER BEFORE PROCEEDING WITH WORK.

REV	ISSUED FOR	DATE



STUDIO MUNGE
25 WINGOLD AVENUE
TORONTO, ONTARIO
M6B 1P8 CANADA
416.588.1668
STUDIOMUNGE.COM

SCALE AS NOTED
DATE 7/10/17

DRAWN BY LS
CHECKED BY

PROJECT NAME
PALMS BAR LOUNGE

DRAWING TITLE
SG-10
HIGH LIMIT GAMING STOOL

PROJECT NUMBER
16150

DRAWING NUMBER
2 / 2

4 | SG-10 | HIGH LIMIT GAMING STOOL
NTS | RENDERED VIEW