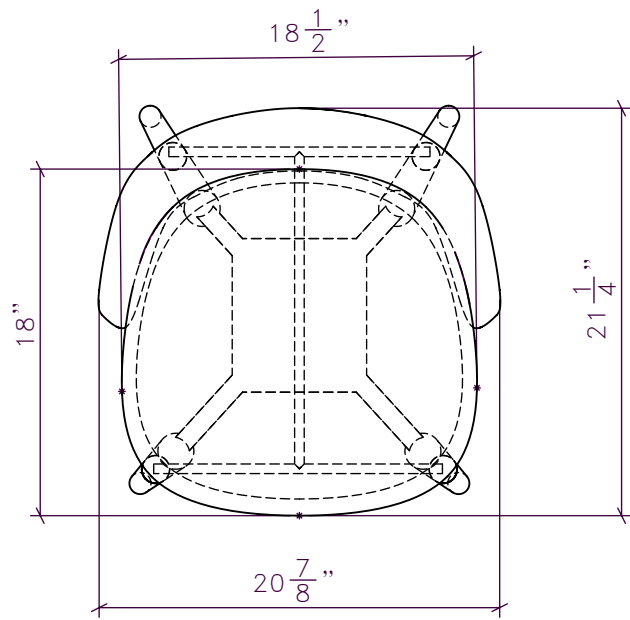


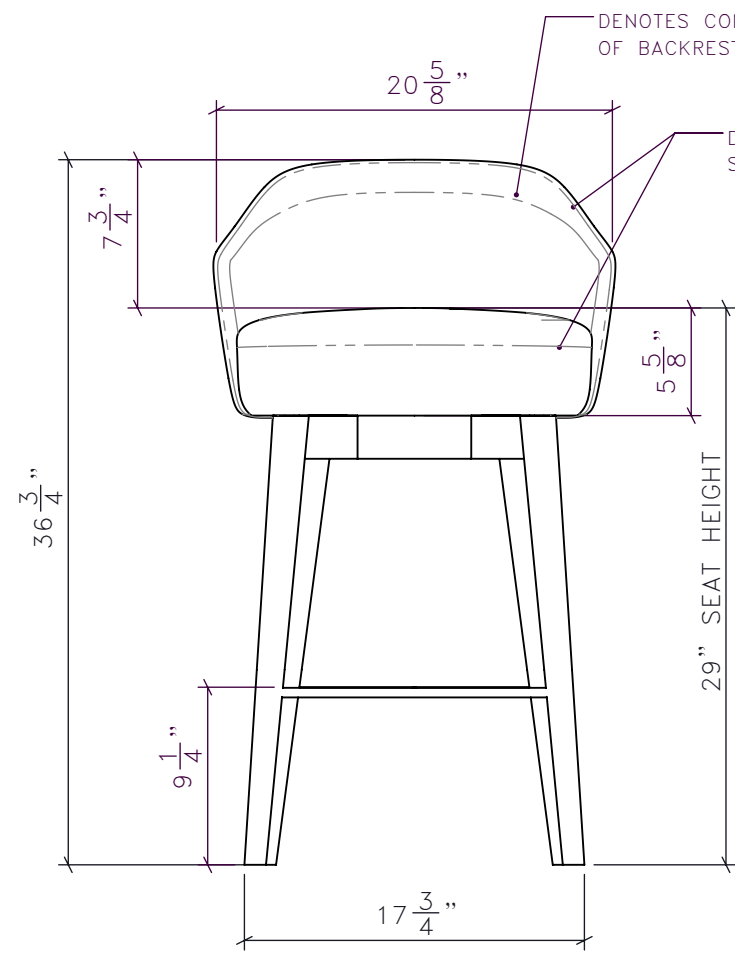
FOR DESIGN INTENT ONLY

DRAWING ARE NOT TO BE SCALED. CONTRACTOR MUST CHECK AND VERIFY ALL JOB DIMENSIONS, DRAWINGS, DETAILS AND SPECIFICATIONS; AND REPORT ANY DISCREPANCIES TO DESIGNER BEFORE PROCEEDING WITH WORK.

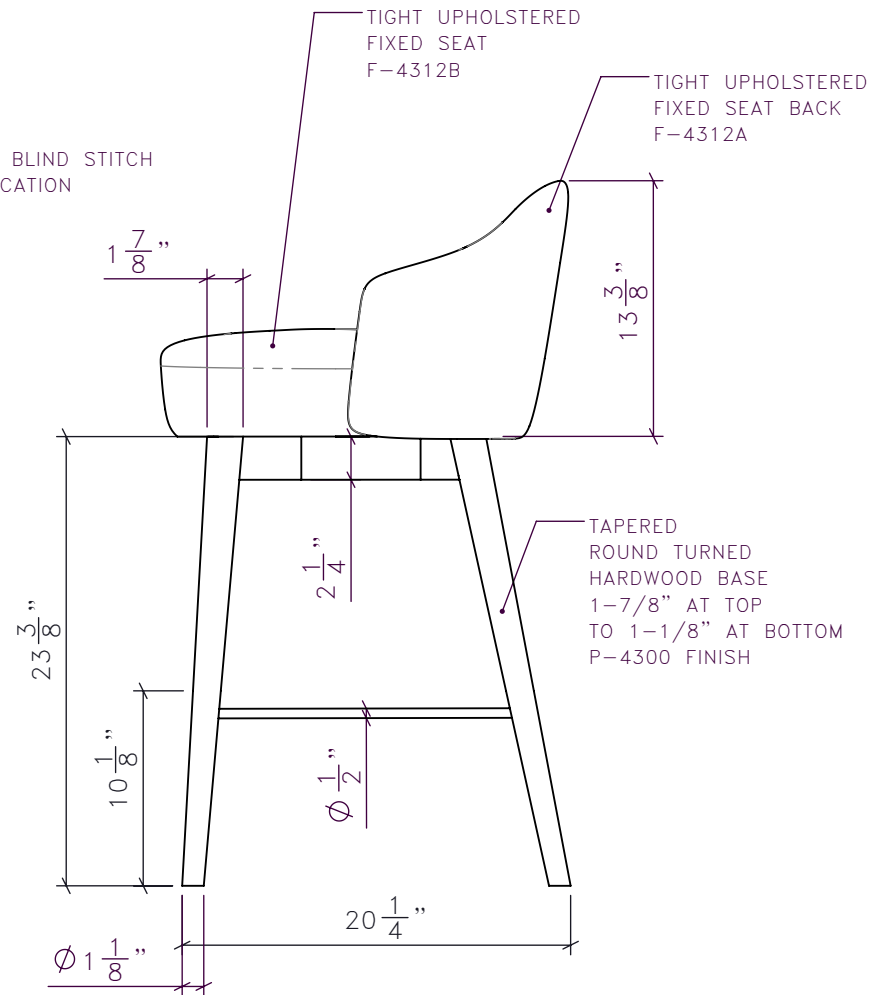
-REV/	-ISSUED FOR	-DATE



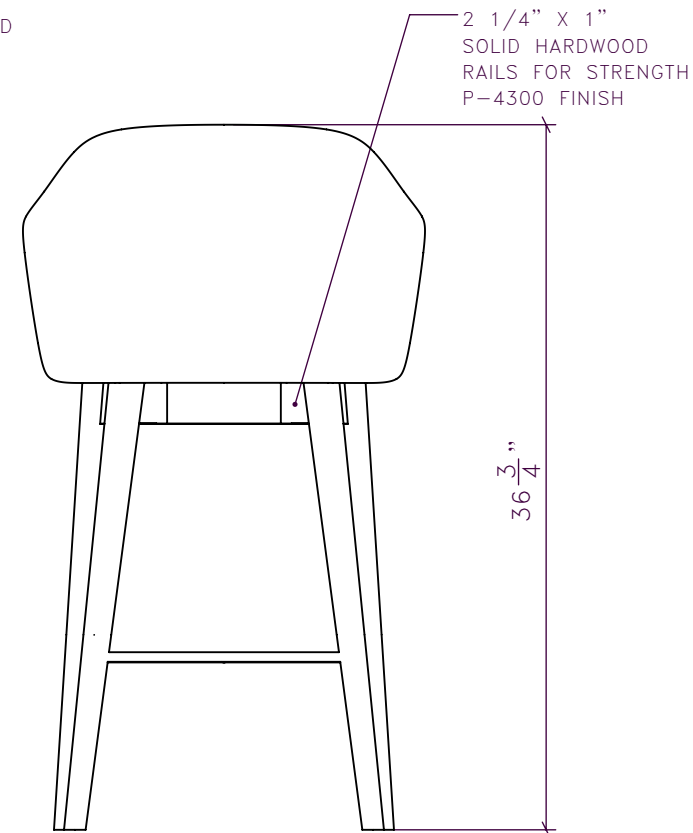
1 | F-4312 | **BAR STOOL PLAN**
1:10



2 | F-4312 | **BAR STOOL FRONT ELEVATION**
1:10



3 | F-4312 | **BAR STOOL SIDE ELEVATION**
1:10



4 | F-4312 | **BAR STOOL REAR ELEVATION**
1:10

STUDIO MUNGE
25 WINGOLD AVENUE
TORONTO, ONTARIO
M6B 1P8 CANADA
416.588.1668
STUDIOMUNGE.COM

-SCALE AS NOTED
-DATE 9/6/17

-DRAWN BY AM
-CHECKED BY

-PROJECT NAME
PALMS BAR LOUNGE

-DRAWING TITLE
F-4312
BAR STOOL AT BAR

-PROJECT NUMBER
16150

-DRAWING NUMBER
1 / 2

STUDIO MUNGE
Y
E
M
D
C
B
A
Y

FOR DESIGN INTENT ONLY

DRAWING ARE NOT TO BE SCALED. CONTRACTOR MUST CHECK AND VERIFY ALL JOB DIMENSIONS, DRAWINGS, DETAILS AND SPECIFICATIONS; AND REPORT ANY DISCREPANCIES TO DESIGNER BEFORE PROCEEDING WITH WORK.

-REV/	-ISSUED FOR	-DATE



**STUDIO
MUNGE**
25 WINGOLD AVENUE
TORONTO, ONTARIO
M6B 1P8 CANADA
416.588.1668
STUDIOMUNGE.COM

-SCALE
AS NOTED

-DATE
9/6/17

-DRAWN BY
AM

-CHECKED BY

-PROJECT NAME

PALMS BAR LOUNGE

-DRAWING TITLE

F-4312
BAR STOOL AT BAR

-PROJECT NUMBER
16150

-DRAWING NUMBER
2 / 2

5 | F-4312 | **BAR STOOL**
NTS | **RENDERED VIEW**