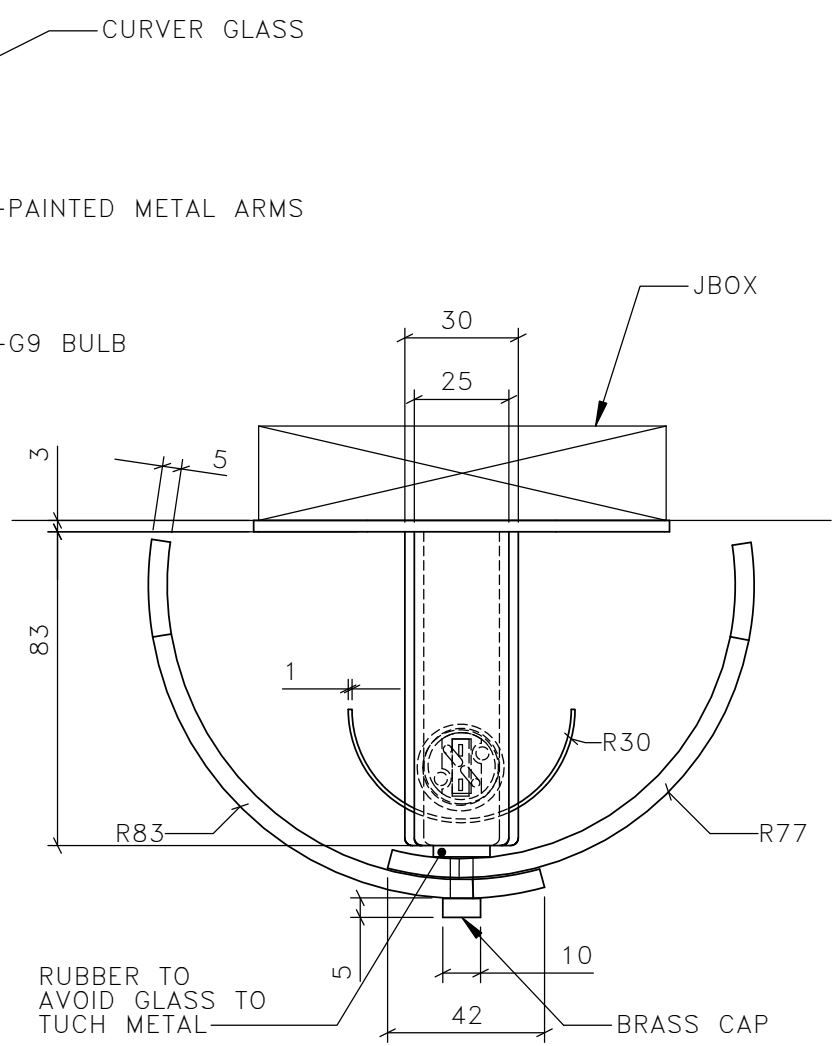
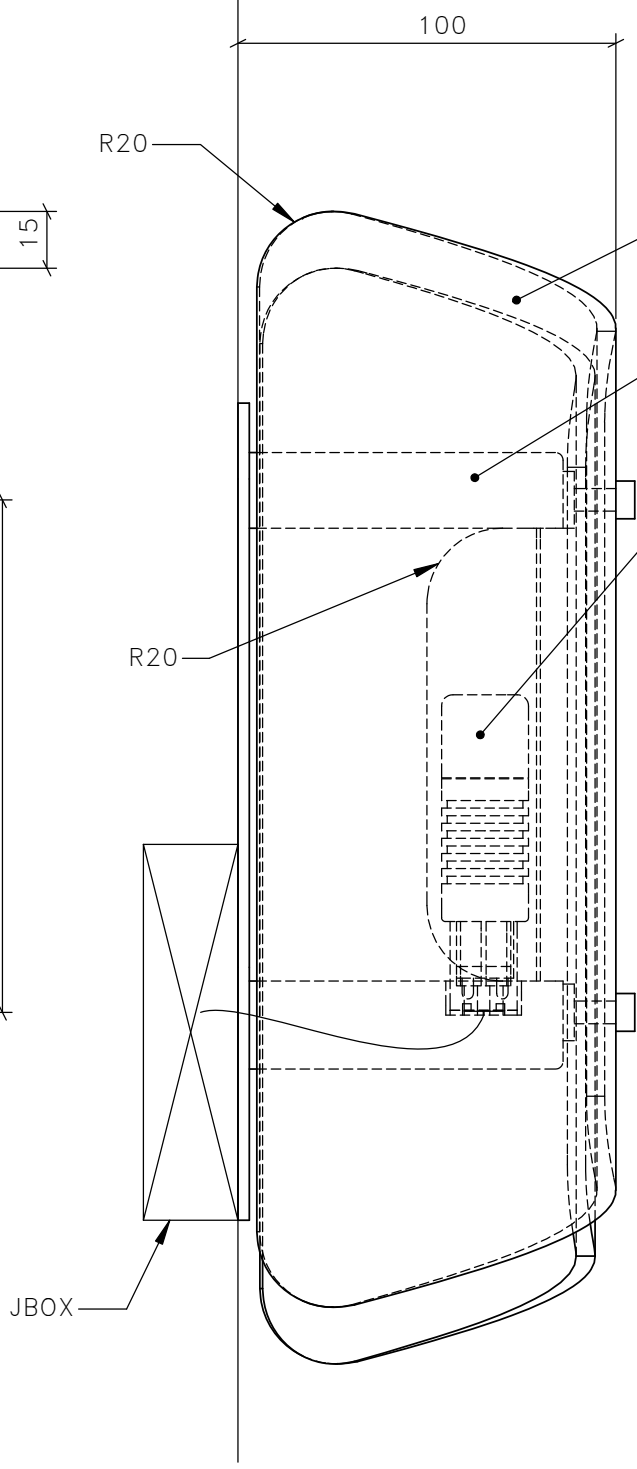
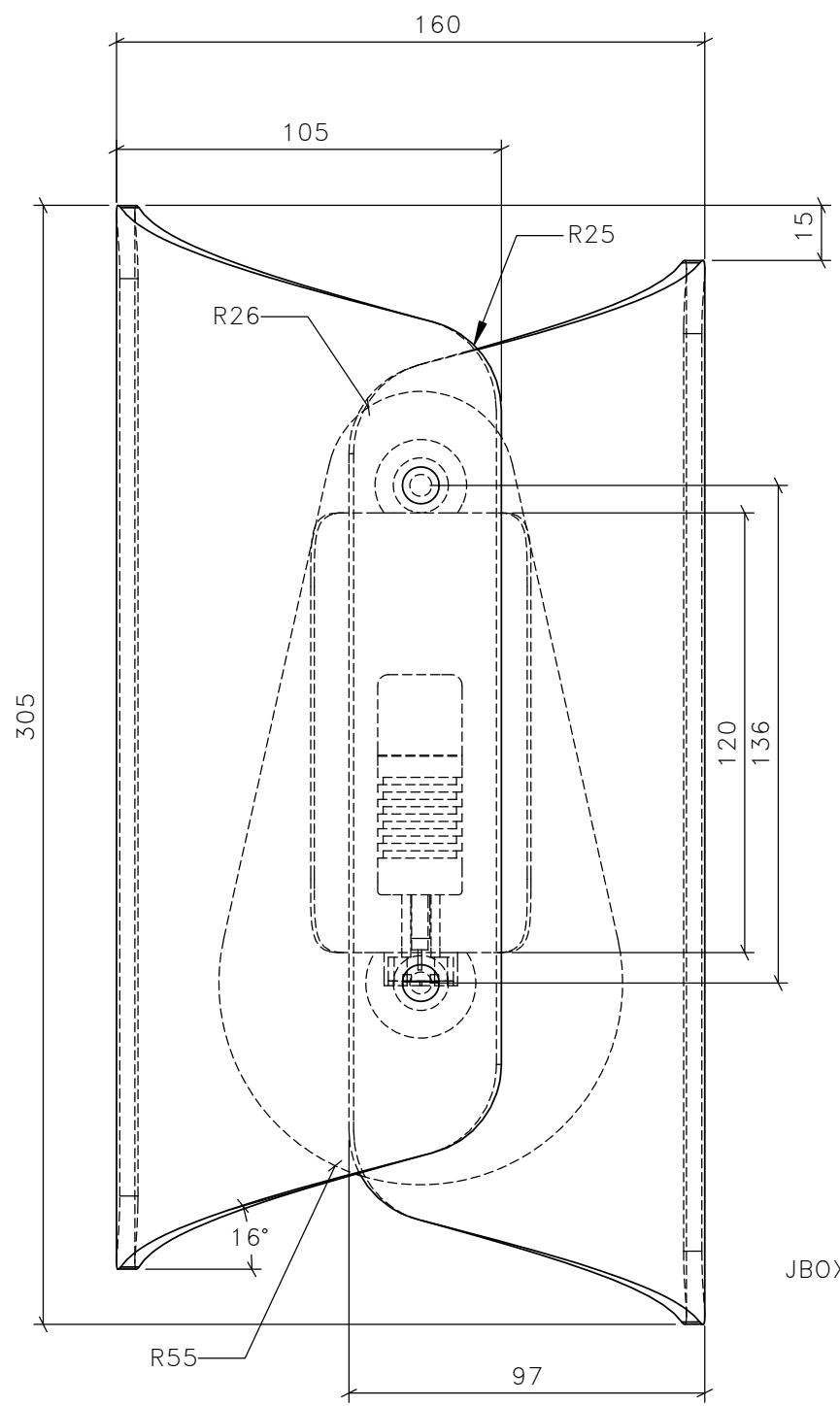


DRAWING ARE NOT TO BE SCALED. CONTRACTOR MUST CHECK AND VERIFY ALL JOB DIMENSIONS, DRAWINGS, DETAILS AND SPECIFICATIONS; AND REPORT ANY DISCREPANCIES TO DESIGNER BEFORE PROCEEDING WITH WORK.

-REV/	-ISSUED FOR	-DATE



1 | LT-210 | 1:2 | **CORRIDORE WALLSCENCE FRONT ELEVATION**

2 | LT-210 | 1:2 | **CORRIDORE WALLSCENCE SIDE ELEVATION**

3 | LT-210 | 1:2 | **CORRIDORE WALLSCENCE PLAN**

STUDIO MUNGE
 25 WINGOLD AVENUE
 TORONTO, ONTARIO
 M6B 1P8 CANADA
 416.588.1668
 STUDIOMUNGE.COM

-SCALE AS NOTED **-DATE** 1/17/17

-DRAWN BY EP **-CHECKED BY**

-PROJECT NAME

BISHA HOTEL

-DRAWING TITLE

LT-210
 WALLSCENCE AT CORRIDORE

-PROJECT NUMBER
 28104

-DRAWING NUMBER
 1 / 2

STUDIO MUNGE
Y
M
D
C
B
A
X



DRAWING ARE NOT TO BE SCALED. CONTRACTOR MUST CHECK AND VERIFY ALL JOB DIMENSIONS, DRAWINGS, DETAILS AND SPECIFICATIONS; AND REPORT ANY DISCREPANCIES TO DESIGNER BEFORE PROCEEDING WITH WORK.

REV	ISSUED FOR	DATE

STUDIO MUNGE
25 WINGOLD AVENUE
TORONTO, ONTARIO
M6B 1P8 CANADA
416.588.1668
STUDIOMUNGE.COM

SCALE
AS NOTED

DATE
1/17/17

DRAWN BY
EP

CHECKED BY

PROJECT NAME

BISHA HOTEL

DRAWING TITLE

LT-210
WALLSCONCE AT CORRIDORE

PROJECT NUMBER
28104

DRAWING NUMBER
2 / 2