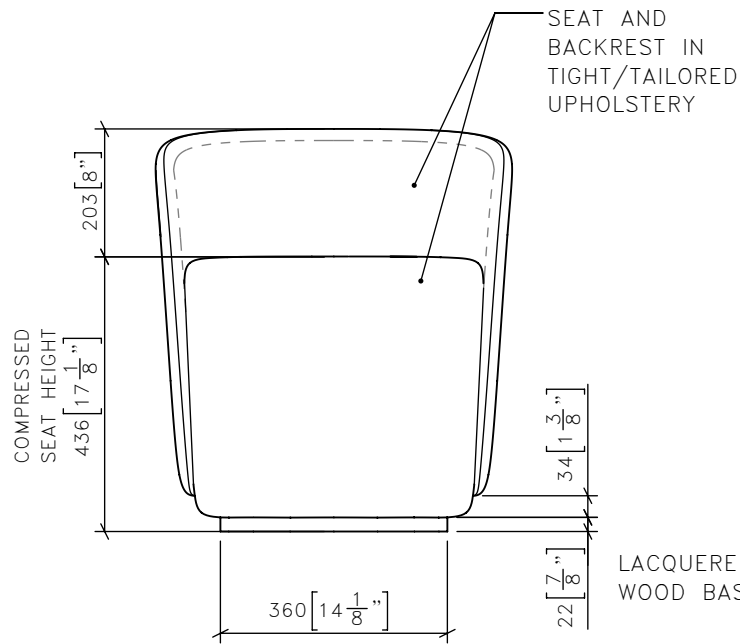
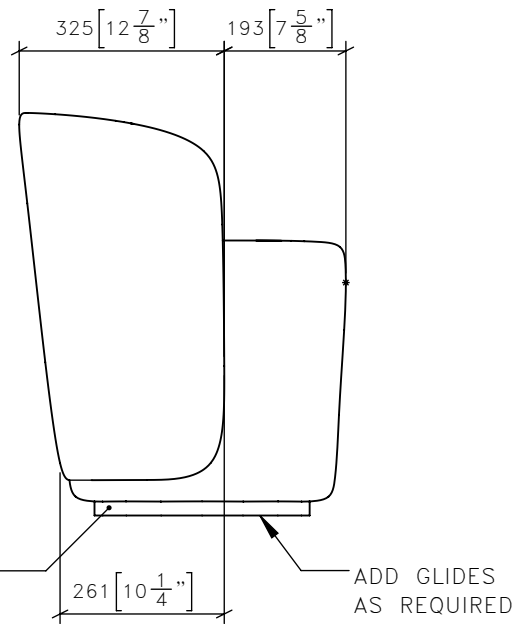


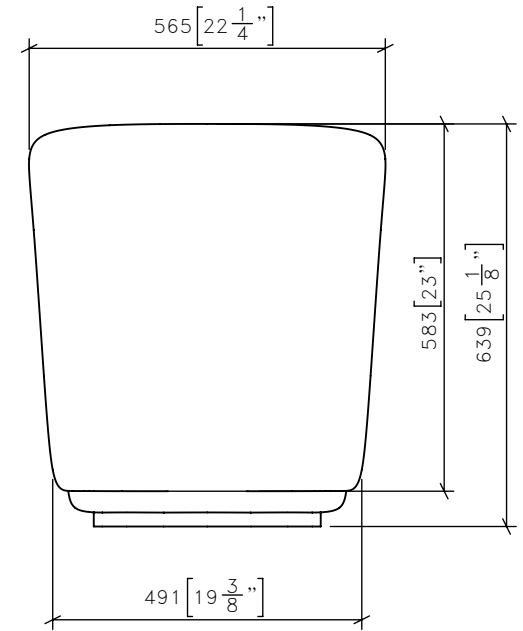
1 | SG-XX | OTTOMAN
1:12 | PLAN



2 | SG-XX | OTTOMAN
1:12 | FRONT ELEVATION



3 | SG-XX | OTTOMAN
1:12 | SIDE ELEVATION



4 | SG-XX | OTTOMAN
1:12 | BACK ELEVATION



5	SG-XX	OTTOMAN PERSPECTIVE
	NTS	

STUDIO MUNGE
 25 WINGOLD AVENUE
 TORONTO, ONTARIO
 M6B 1P8 CANADA
 416.588.1688
 STUDIOMUNGE.COM

project> BISHA ROOFTOP RESTAURANT
drawing> OTTOMAN

project # 16115
scale: AS NOTED

date> ----
pages> 2/2

SG-XX