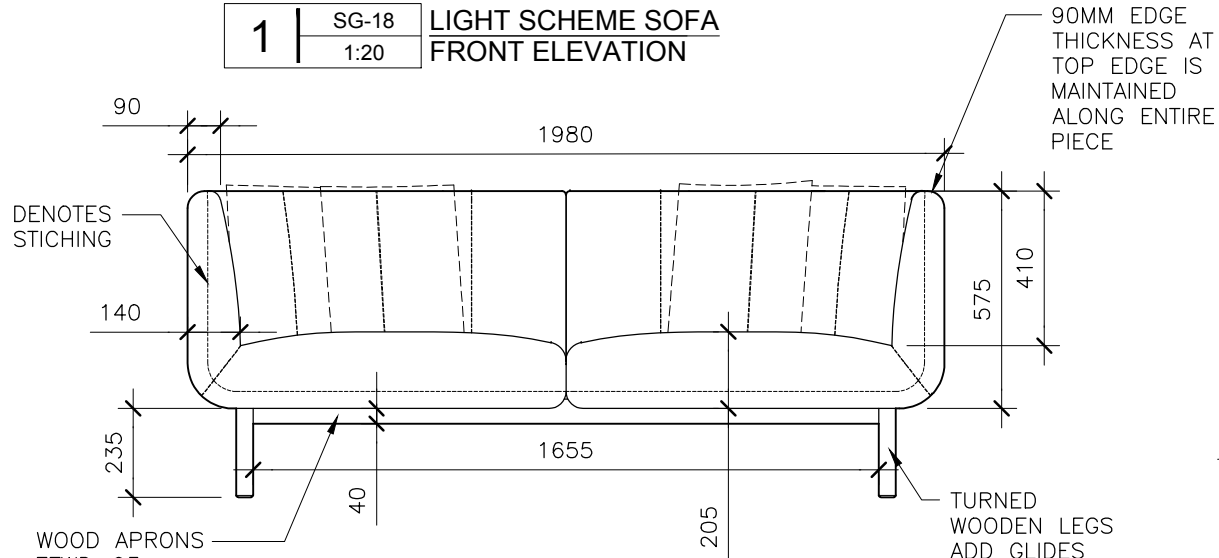
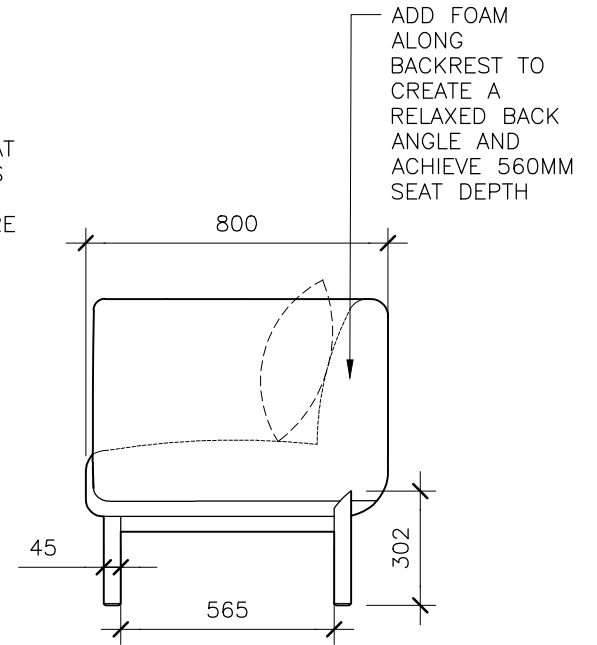


1 | SG-18 | LIGHT SCHEME SOFA FRONT ELEVATION
1:20



2 | SG-18 | LIGHT SCHEME SOFA FRONT ELEVATION
1:20



3 | SG-18 | LIGHT SCHEME SOFA SIDE ELEVATION
1:20

FOR DESIGN INTENT ONLY

**STUDIO
MUNGE**

25 WINGOLD AVENUE
TORONTO, ONTARIO
M6B 1P8 CANADA
416.588.1668
STUDIOMUNGE.COM

project: DON MILLS SALES CENTER

drawing: LIGHT SCHEME SOFA

project # 16119

scale: AS NOTE

date:

pages: 1 OF 2

SG-18

S T U D I O M U N G E

F

D

C

B

Y

3

4

5

6

7

8

F

E

D

C

B

Y



4

SG-18
NTS

LIGHT SCHEME SOFA
RENDERED VIEW

FOR DESIGN INTENT ONLY

STUDIO
MUNGE

25 WINGOLD AVENUE
TORONTO, ONTARIO
M6B 1P8 CANADA
416.588.1668
STUDIOMUNGE.COM

project: DON MILLS SALES CENTER

drawing: LIGHT SCHEME SOFA

project # 16119

scale: AS NOTE

date:

pages: 2 OF 2

SG-18

3

4

5

6

7

8

P:\Don Mills Sales Center P#\16119\Drawings\Master Drawings\F&E\Solidworks\Dark Scheme Sofa\SG-18.dwg