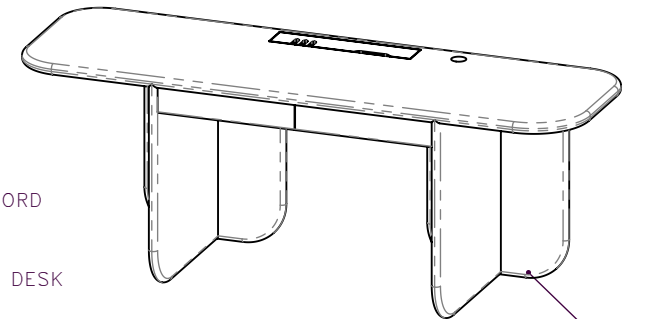
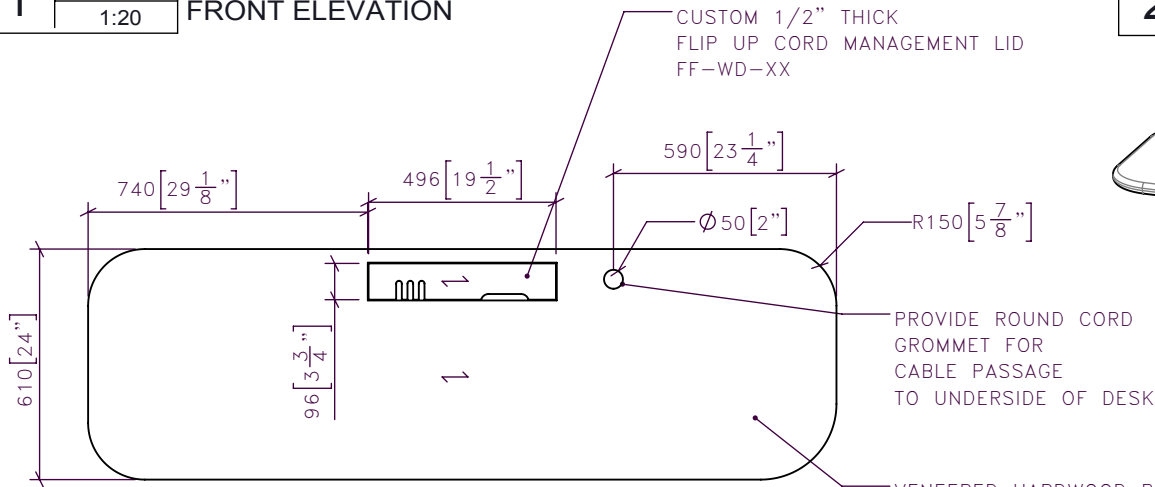


**1** | CG-XX  
1:20 | **TYP GUESTROOM DESK  
FRONT ELEVATION**

**2** | CG-XX  
1:20 | **TYP GUESTROOM DESK  
DISE ELEVATION**



**3** | CG-XX  
1:20 | **TYP GUESTROOM DESK  
PLAN**

VENEERED HARDWOOD PLYWOOD  
CONSTRUCTION 1-1/2" WIDE  
SOLID WOOD EDGEBOARDING ON ALL  
EDGES  
BULLNOSE PROFILE ON ALL EXPOSED  
EDGES TYP

ADD GLIDES AS NEEDED

STUDIO MUNGE

FOR DESIGN INTENT ONLY



S:\03\_SM CAD DWG STANDARDS\_EXISTING PROJECTS\METRIC\TIBLOC\ISM\_6X11\_TILE\_BLOCK\METRIC\_HORIZ.dwg

STUDIO  
MUNGE

25 WINGOLD AVENUE  
TORONTO, ONTARIO  
M6B 1P8 CANADA  
416.588.1688  
STUDIOMUNGE.COM

project> CANOPY BY HILTON

drawing> TYP GUESTROOM DESK

project # 15139

scale: AS NOTED

date> ----

pages> 2/2

CG-XX