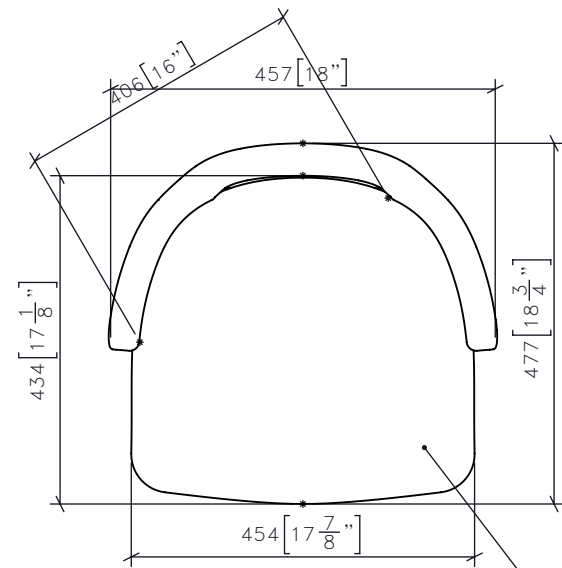
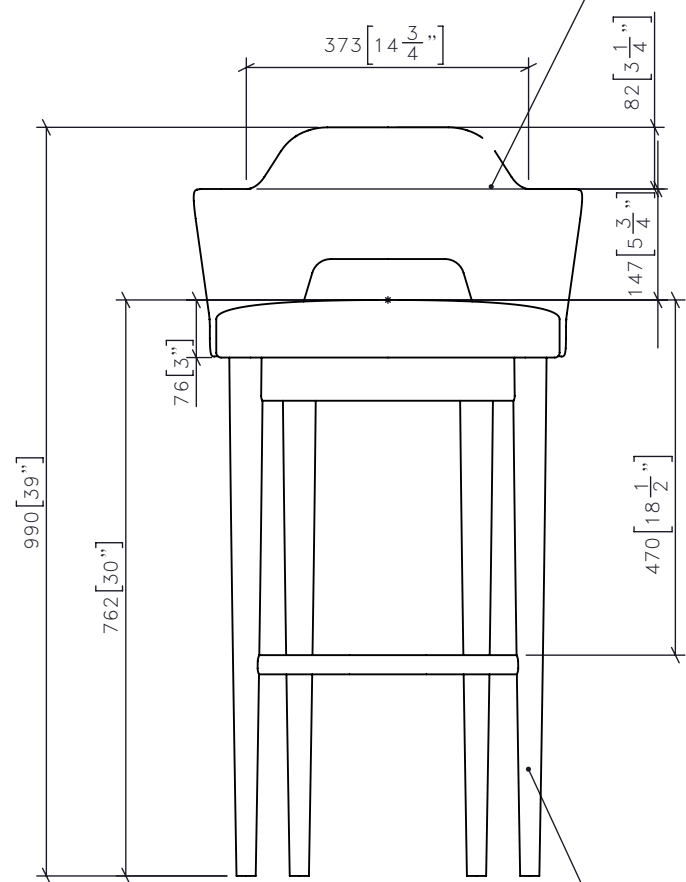


-REV/	-ISSUED FOR	-DATE



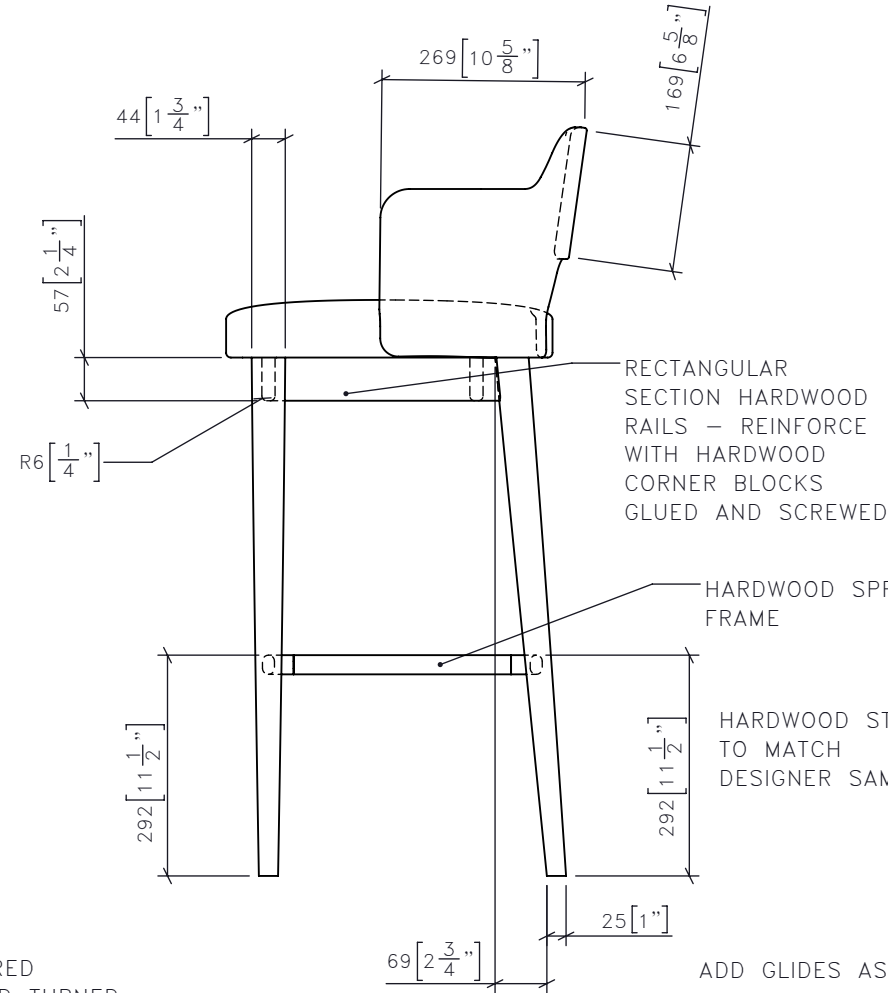
TIGHT UPHOLSTERED
FIXED SEAT
MOLDED PLYWOOD
BACKREST - TIGHT UPHOLSTERED

1 | SG-06 | **BARSTOOL AT BAR**
1:10 | **PLAN**



TAPERED
ROUND TURNED
HARDWOOD LEGS
1" TO 1-1/4"
TO 7/8"

2 | SG-06 | **BARSTOOL AT BAR**
1:10 | **FRONT ELEVATION**



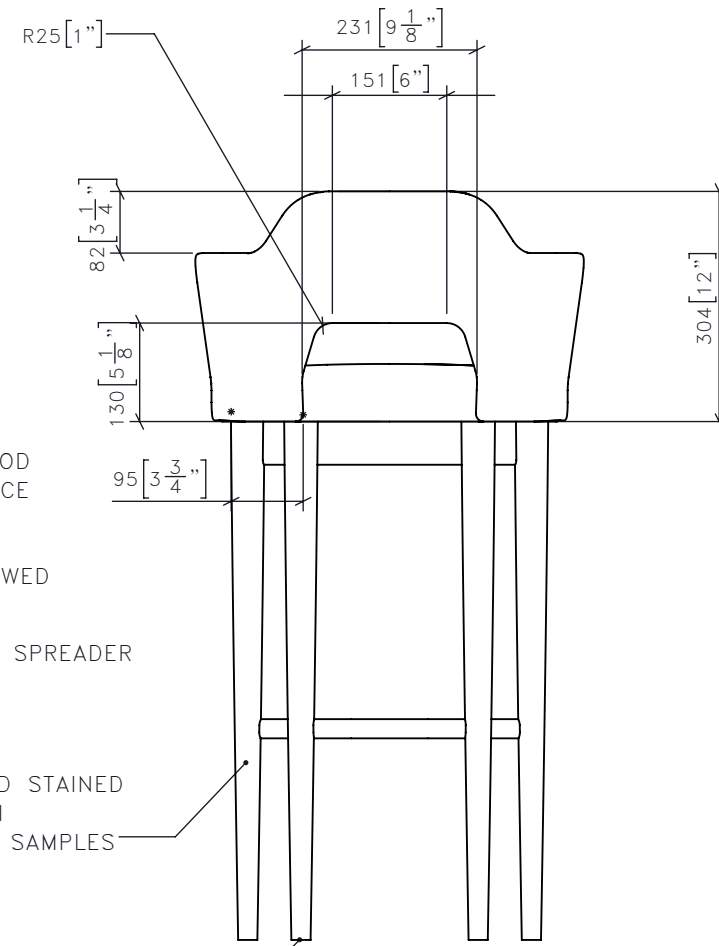
RECTANGULAR
SECTION HARDWOOD
RAILS - REINFORCE
WITH HARDWOOD
CORNER BLOCKS
GLUED AND SCREWED

HARDWOOD SPREADER
FRAME

HARDWOOD STAINED
TO MATCH
DESIGNER SAMPLES

ADD GLIDES AS NEEDED

3 | SG-06 | **BARSTOOL AT BAR**
1:10 | **SIDE ELEVATION**



R25 [1"]

82 [3 1/4"]

130 [5 1/8"]

95 [3 3/4"]

304 [12"]

4 | SG-06 | **BARSTOOL AT BAR**
1:10 | **REAR ELEVATION**

**STUDIO
MUNGE** 25 WINGOLD AVENUE
TORONTO, ONTARIO
M6B 1P8 CANADA
416.588.1668
STUDIOMUNGE.COM

-SCALE AS NOTED -DATE 11/21/17

-DRAWN BY AM -CHECKED BY

-PROJECT NAME

15 CHARLES ST.

-DRAWING TITLE

SG-06
BARSTOOL AT BAR

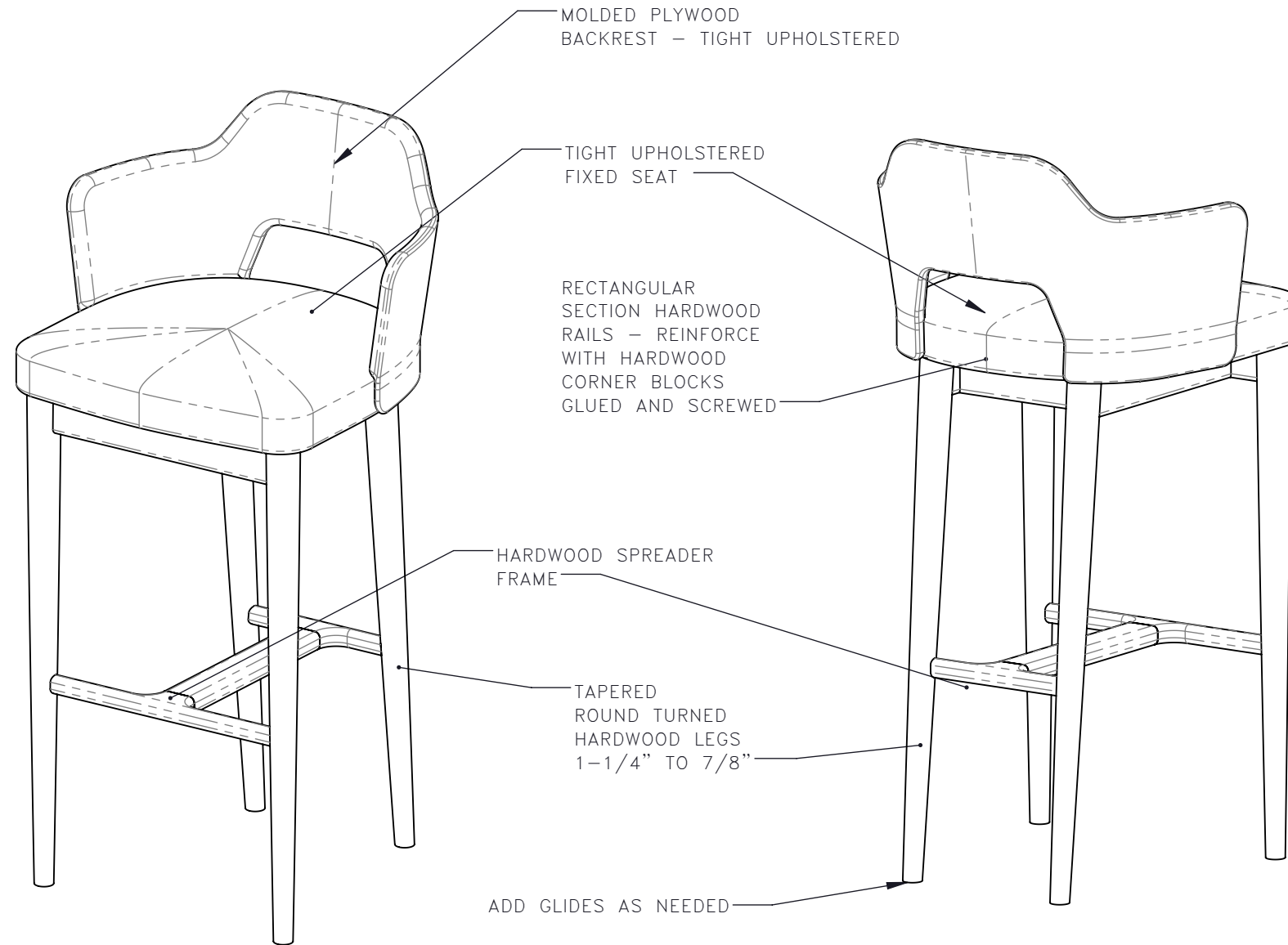
-PROJECT NUMBER
16113

-DRAWING NUMBER
1 / 4

FOR DESIGN INTENT ONLY

DRAWING ARE NOT TO BE SCALED. CONTRACTOR MUST CHECK AND VERIFY ALL JOB DIMENSIONS, DRAWINGS, DETAILS AND SPECIFICATIONS; AND REPORT ANY DISCREPANCIES TO DESIGNER BEFORE PROCEEDING WITH WORK.

-REV/	-ISSUED FOR	-DATE



STUDIO MUNGE
 25 WINGOLD AVENUE
 TORONTO, ONTARIO
 M6B 1P8 CANADA
 416.588.1668
 STUDIOMUNGE.COM

-SCALE
AS NOTED

-DATE
11/21/17

-DRAWN BY
AM

-CHECKED BY

-PROJECT NAME

15 CHARLES ST.

-DRAWING TITLE

SG-06
BARSTOOL AT BAR

-PROJECT NUMBER
16113

-DRAWING NUMBER
2 / 4

5 | SG-06 | BARSTOOL AT BAR
1:8 | REAR ISOMETRIC

6 | SG-06 | BARSTOOL AT BAR
1:8 | REAR ISOMETRIC

STUDIO MUNGE
Y
E
M
D
C
B
A
Y

FOR DESIGN INTENT ONLY

DRAWING ARE NOT TO BE SCALED. CONTRACTOR MUST CHECK AND VERIFY ALL JOB DIMENSIONS, DRAWINGS, DETAILS AND SPECIFICATIONS; AND REPORT ANY DISCREPANCIES TO DESIGNER BEFORE PROCEEDING WITH WORK.

-REV/	-ISSUED FOR	-DATE



**STUDIO
MUNGE**
25 WINGOLD AVENUE
TORONTO, ONTARIO
M6B 1P8 CANADA
416.588.1668
STUDIOMUNGE.COM

-SCALE
AS NOTED

-DATE
11/21/17

-DRAWN BY
AM

-CHECKED BY

-PROJECT NAME

15 CHARLES ST.

-DRAWING TITLE

SG-06
BARSTOOL AT BAR

-PROJECT NUMBER
16113

-DRAWING NUMBER
3 / 4

7	SG-06	BARSTOOL AT BAR RENDERED VIEW
	NTS	

STUDIO MUNGE
E
D
C
B
A
Y

FOR DESIGN INTENT ONLY

DRAWING ARE NOT TO BE SCALED. CONTRACTOR MUST CHECK AND VERIFY ALL JOB DIMENSIONS, DRAWINGS, DETAILS AND SPECIFICATIONS; AND REPORT ANY DISCREPANCIES TO DESIGNER BEFORE PROCEEDING WITH WORK.

-REV/	-ISSUED FOR	-DATE



**STUDIO
MUNGE**
25 WINGOLD AVENUE
TORONTO, ONTARIO
M6B 1P8 CANADA
416.588.1668
STUDIOMUNGE.COM

-SCALE
AS NOTED

-DATE
11/21/17

-DRAWN BY
AM

-CHECKED BY

-PROJECT NAME

15 CHARLES ST.

-DRAWING TITLE

SG-06
BARSTOOL AT BAR

-PROJECT NUMBER
16113

-DRAWING NUMBER
4 / 4

8	SG-06	BARSTOOL AT BAR RENDERED VIEW
	NTS	