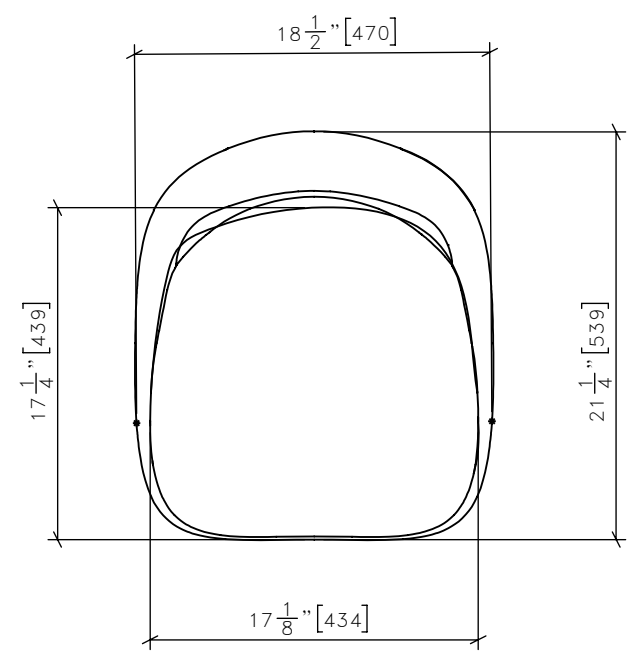


DRAWING ARE NOT TO BE SCALED. CONTRACTOR MUST CHECK AND VERIFY ALL JOB DIMENSIONS, DRAWINGS, DETAILS AND SPECIFICATIONS; AND REPORT ANY DISCREPANCIES TO DESIGNER BEFORE PROCEEDING WITH WORK.

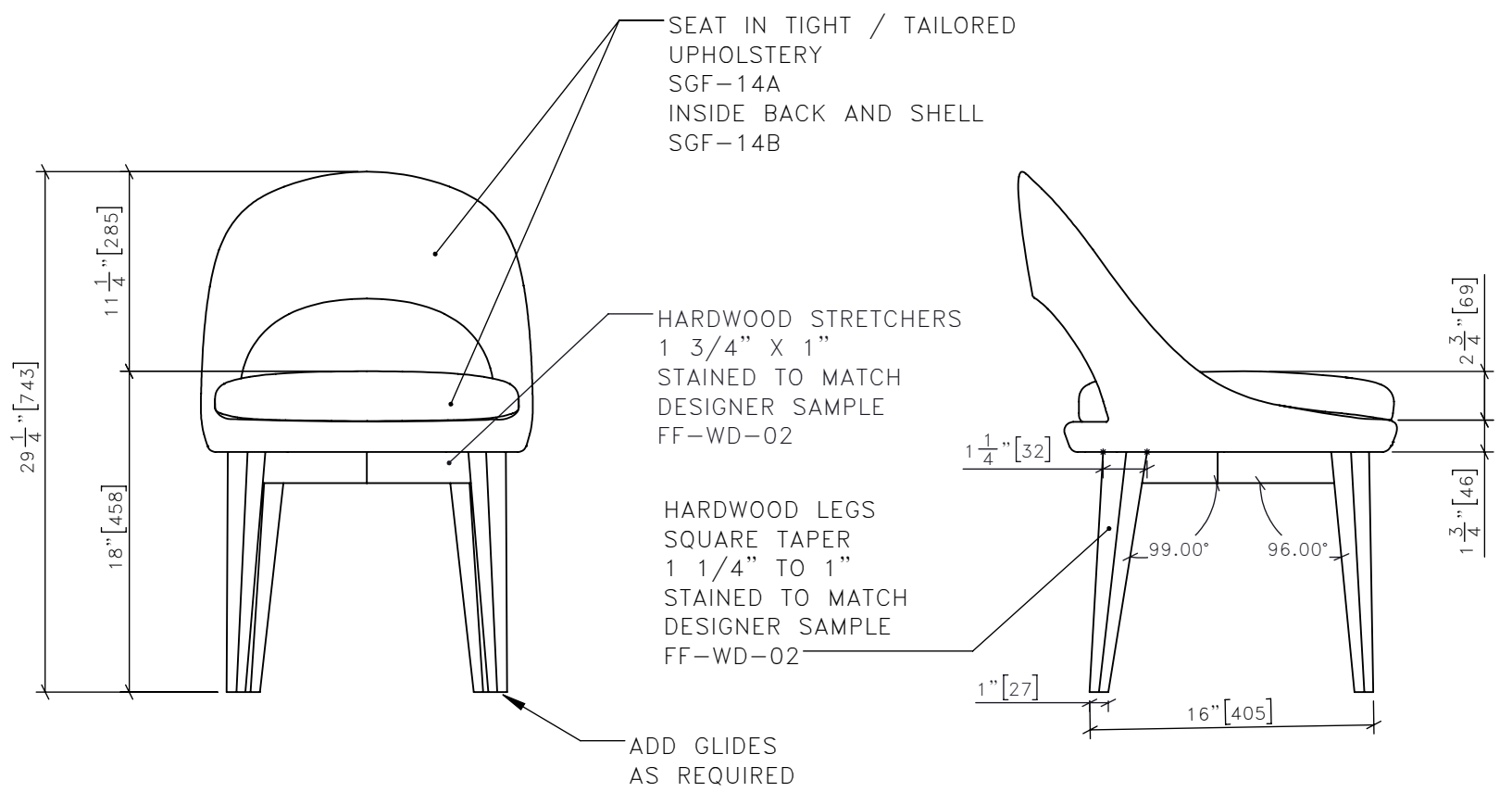
REV	ISSUED FOR	DATE

STUDIO MUNGE
 25 WINGOLD AVENUE
 TORONTO, ONTARIO
 M6B 1P8 CANADA
 416.588.1668
 STUDIOMUNGE.COM

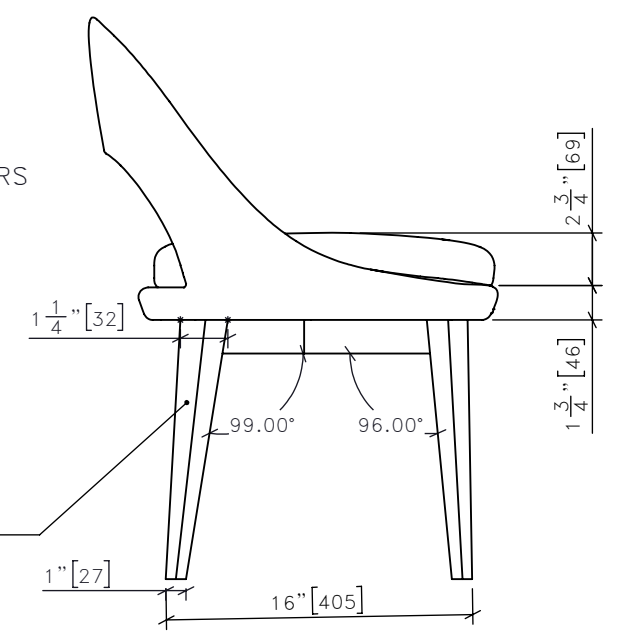
SCALE AS NOTED	DATE 9/21/17
DRAWN BY EH	CHECKED BY
PROJECT NAME 15 CHARLES ST.	
DRAWING TITLE SG-16 DINING CHAIR - DINING ROOM	
PROJECT NUMBER 16133	
DRAWING NUMBER 1 / 2	



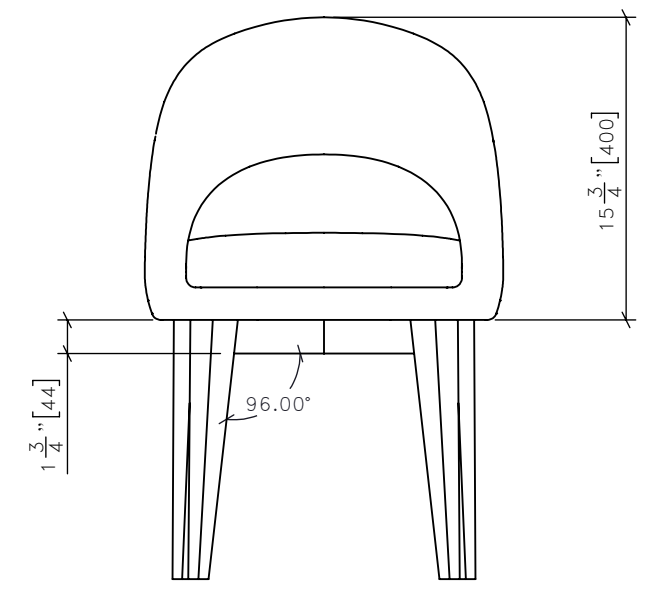
1 SG-16 DINING CHAIR PLAN
1:10



2 SG-16 DINING CHAIR FRONT ELEVATION
1:10



3 SG-16 DINING CHAIR SIDE ELEVATION
1:10



4 SG-16 DINING CHAIR BACK ELEVATION
1:10

STUDIO MUNGE
Y
E
M
D
C
B
A
Y

FOR DESIGN INTENT ONLY

DRAWING ARE NOT TO BE SCALED. CONTRACTOR MUST CHECK AND VERIFY ALL JOB DIMENSIONS, DRAWINGS, DETAILS AND SPECIFICATIONS; AND REPORT ANY DISCREPANCIES TO DESIGNER BEFORE PROCEEDING WITH WORK.

REV.	ISSUED FOR	DATE



STUDIO MUNGE
25 WINGOLD AVENUE
TORONTO, ONTARIO
M6B 1P8 CANADA
416.588.1668
STUDIOMUNGE.COM

-SCALE AS NOTED	-DATE 9/21/17
-DRAWN BY EH	-CHECKED BY
-PROJECT NAME 15 CHARLES ST.	
-DRAWING TITLE SG-05 DINING CHAIR - DINING ROOM	
-PROJECT NUMBER 16139	
-DRAWING NUMBER 2 / 2	

5	SG-16	DINING CHAIR PERSPECTIVE
	NTS	