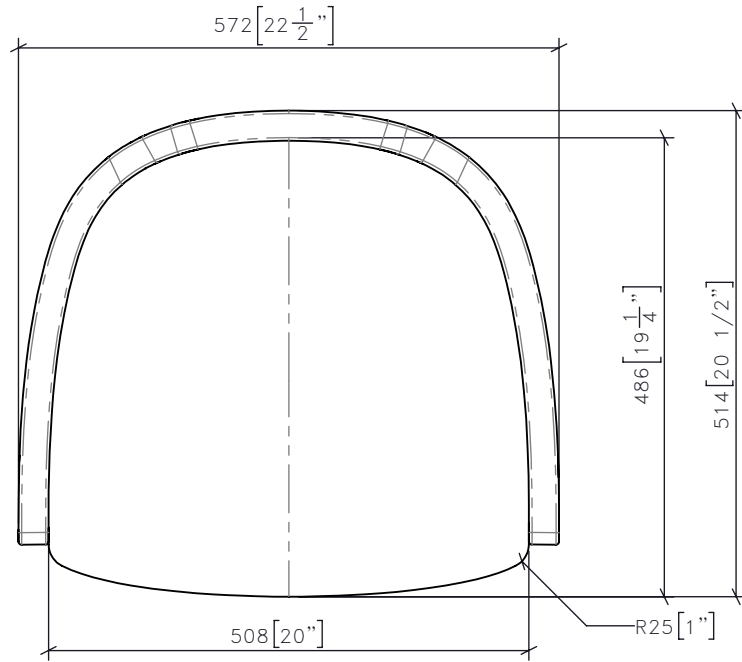


-REV/	-ISSUED FOR	-DATE

**STUDIO MUNGE**  
 25 WINGOLD AVENUE  
 TORONTO, ONTARIO  
 M6B 1P8 CANADA  
 416.588.1668  
 STUDIOMUNGE.COM

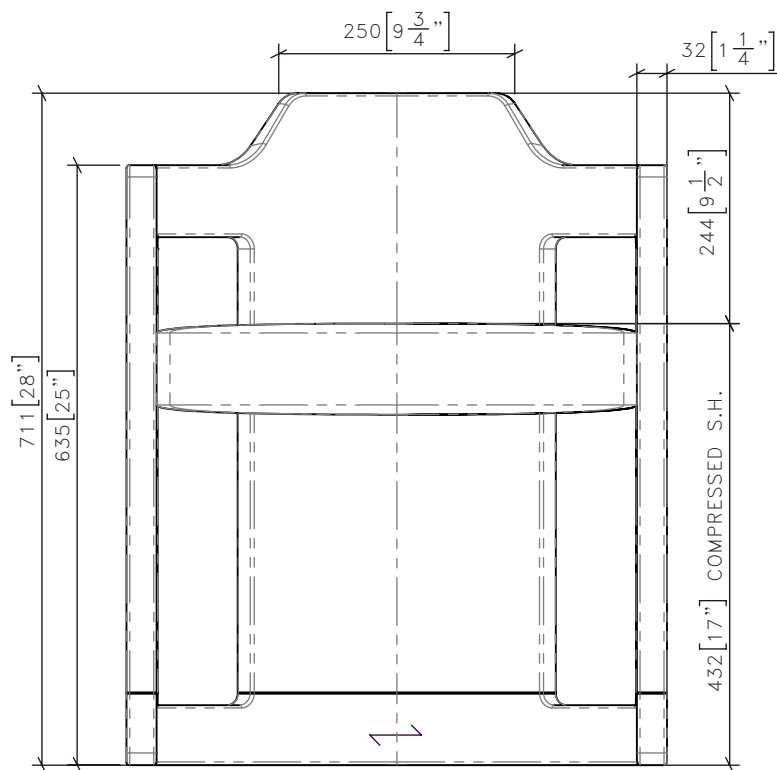
-SCALE AS NOTED	-DATE 11/14/17
-DRAWN BY AM	-CHECKED BY
-PROJECT NAME  15 CHARLES ST.	
-DRAWING TITLE  SG-04 LOUNGE CHAIR	
-PROJECT NUMBER 16113	
-DRAWING NUMBER 1 / 4	



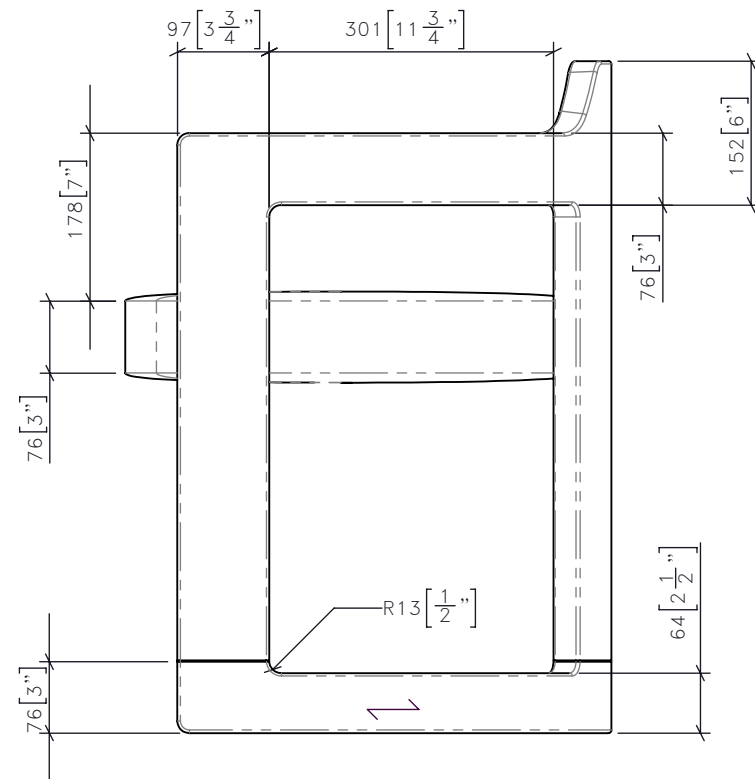
**1** | SG-04 | LOUNGE CHAIR  
1:8 | PLAN

UPHOLSTERED  
FIXED SEAT  
CUSHION

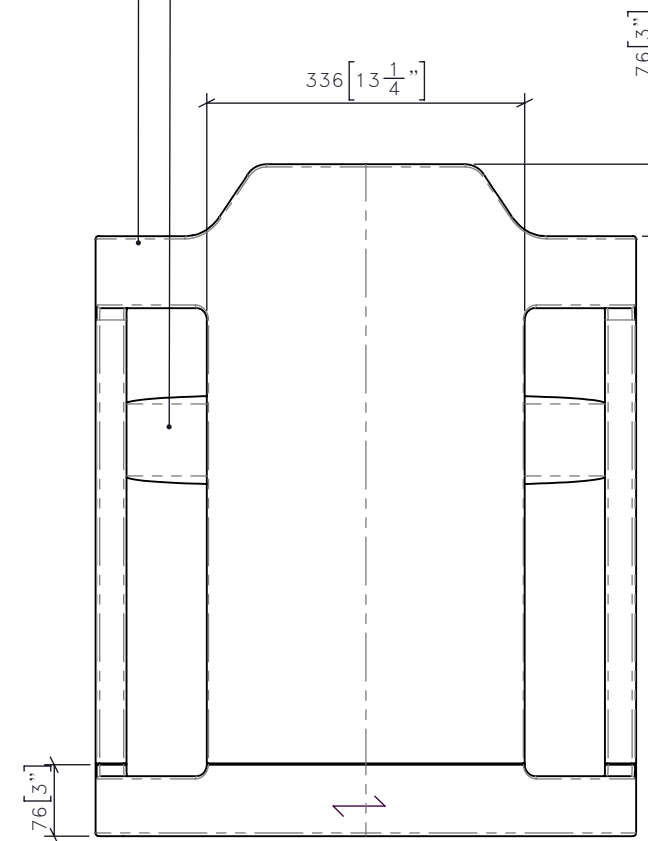
1/2" FIRM  
FOAM OVER  
MOLDED  
PLYWOOD SHELL



**2** | SG-04 | LOUNGE CHAIR  
1:8 | FRONT ELEVATION

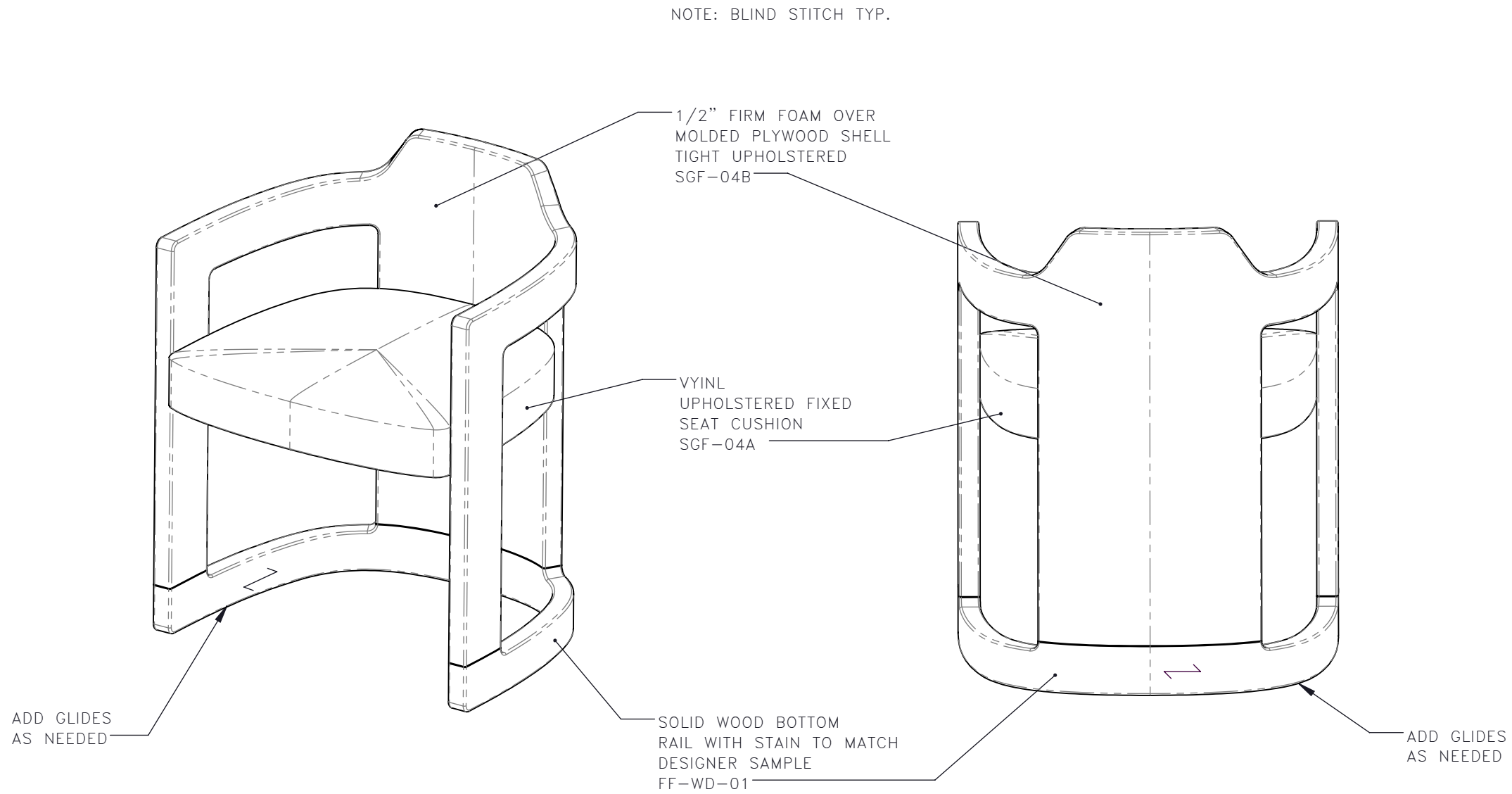


**3** | SG-04 | LOUNGE CHAIR  
1:8 | SIDE ELEVATION



**4** | SG-04 | LOUNGE CHAIR  
1:8 | REAR ELEVATION

-REV/	-ISSUED FOR	-DATE



5	SG-04	LOUNGE CHAIR ISOMETRIC FRONT
	1:8	

6	SG-04	LOUNGE CHAIR ISOMETRIC REAR
	1:8	

**STUDIO MUNGE**  
 25 WINGOLD AVENUE  
 TORONTO, ONTARIO  
 M6B 1P8 CANADA  
 416.588.1668  
 STUDIOMUNGE.COM

**-SCALE**  
AS NOTED

**-DATE**  
11/14/17

**-DRAWN BY**  
AM

**-CHECKED BY**

**-PROJECT NAME**

15 CHARLES ST.

**-DRAWING TITLE**

SG-04  
LOUNGE CHAIR

**-PROJECT NUMBER**  
16113

**-DRAWING NUMBER**  
2 / 4

STUDIO MUNGE

FOR DESIGN INTENT ONLY

DRAWING ARE NOT TO BE SCALED. CONTRACTOR MUST CHECK AND VERIFY ALL JOB DIMENSIONS, DRAWINGS, DETAILS AND SPECIFICATIONS; AND REPORT ANY DISCREPANCIES TO DESIGNER BEFORE PROCEEDING WITH WORK.

-REV/	-ISSUED FOR	-DATE



**STUDIO MUNGE**  
 25 WINGOLD AVENUE  
 TORONTO, ONTARIO  
 M6B 1P8 CANADA  
 416.588.1668  
 STUDIOMUNGE.COM

**-SCALE**  
AS NOTED

**-DATE**  
11/14/17

**-DRAWN BY**  
AM

**-CHECKED BY**

**-PROJECT NAME**

15 CHARLES ST.

**-DRAWING TITLE**

SG-04  
LOUNGE CHAIR

**-PROJECT NUMBER**  
16113

**-DRAWING NUMBER**  
3 / 4

7	SG-04	LOUNGE CHAIR RENDERED VIEW
	NTS	

STUDIO MUNGE  
E  
D  
C  
B  
A  
Y

FOR DESIGN INTENT ONLY

DRAWING ARE NOT TO BE SCALED. CONTRACTOR MUST CHECK AND VERIFY ALL JOB DIMENSIONS, DRAWINGS, DETAILS AND SPECIFICATIONS; AND REPORT ANY DISCREPANCIES TO DESIGNER BEFORE PROCEEDING WITH WORK.

-REV/	-ISSUED FOR	-DATE



**STUDIO  
MUNGE**  
25 WINGOLD AVENUE  
TORONTO, ONTARIO  
M6B 1P8 CANADA  
416.588.1668  
STUDIOMUNGE.COM

**-SCALE**  
AS NOTED

**-DATE**  
11/14/17

**-DRAWN BY**  
AM

**-CHECKED BY**

**-PROJECT NAME**  
  
15 CHARLES ST.

**-DRAWING TITLE**  
  
SG-04  
LOUNGE CHAIR

**-PROJECT NUMBER**  
16113

**-DRAWING NUMBER**  
4 / 4

8	SG-04	LOUNGE CHAIR RENDERED VIEW
	NTS	