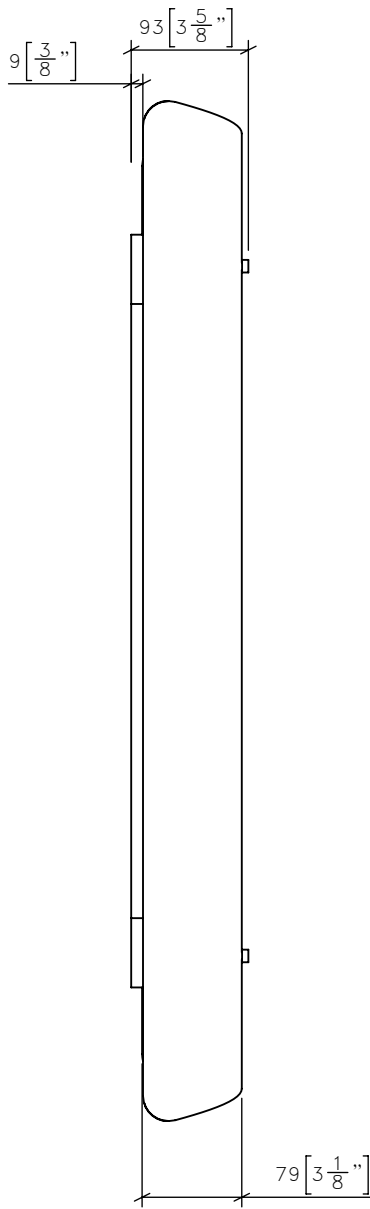


1	LT-802-B	SCONCE FRONT ELEVATION
	1:6	



2	LT-802-B	SCONCE SIDE ELEVATION
	1:6	

STUDIO
MUNGE

25 WINGOLD AVENUE
TORONTO, ONTARIO
M6B 1P8 CANADA
416.588.1688
STUDIOMUNGE.COM

project> BISHA HOTEL

drawing> WALL SCONCE

project # 28104

scale: AS NOTED

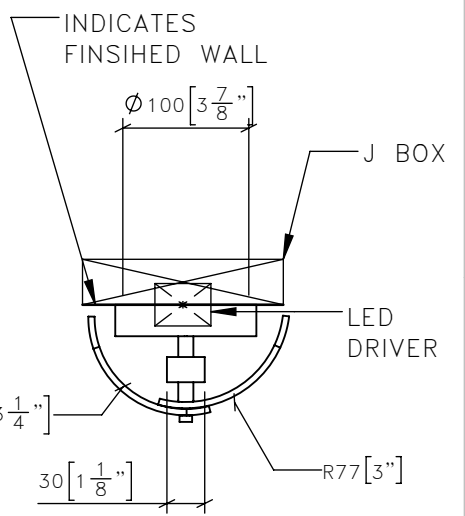
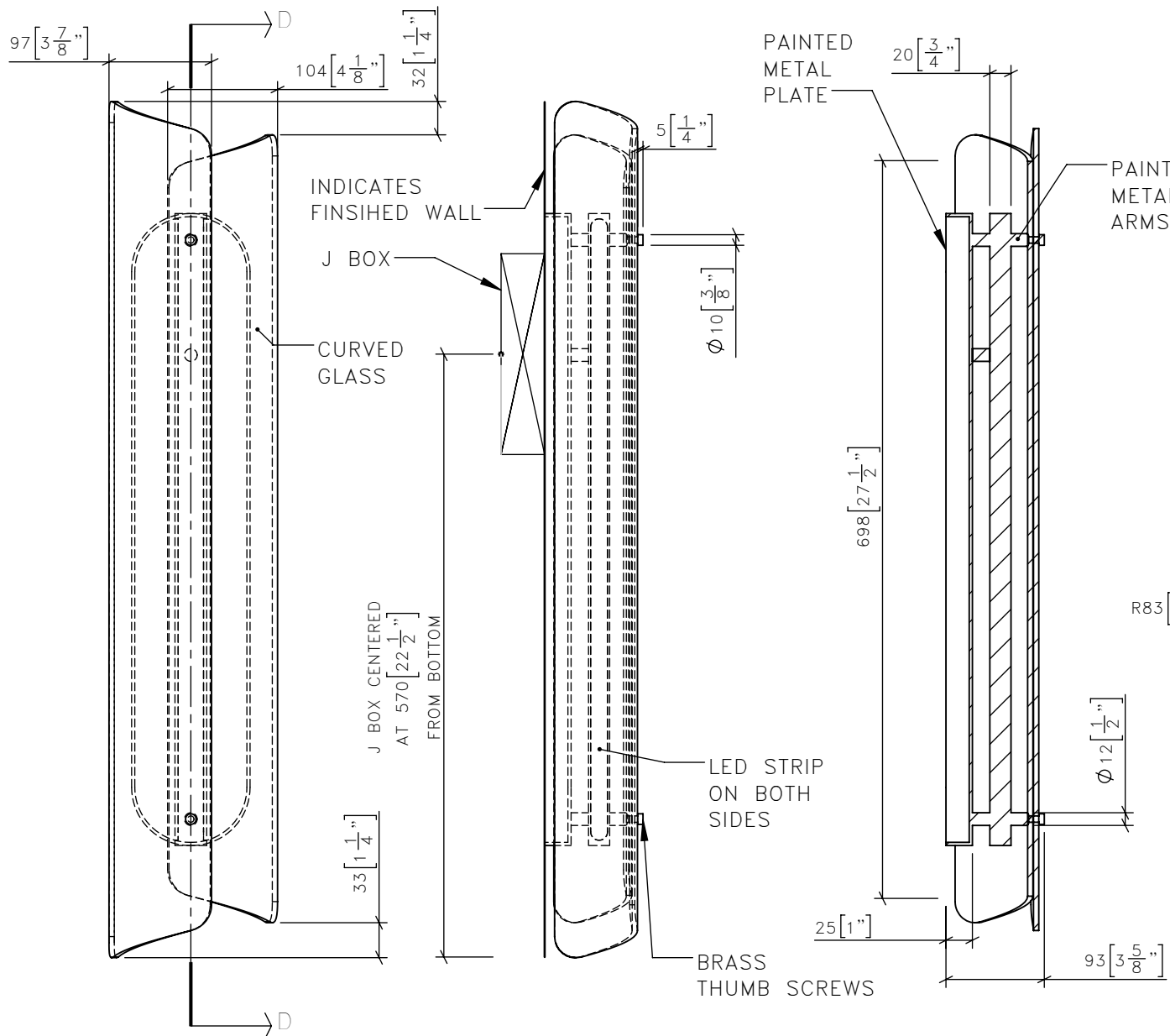
date> ----

pages> 1/3

LT-802-B

FOR DESIGN INTENT ONLY

ENSURE LIGHT SHINES EVENLY ONTO WALL BEHIND
MATCH DETAILS TO LT-210



3 LT-802-B SCENCE FRONT ELEVATION
1:6

4 LT-802-B SCENCE SIDE ELEVATION
1:6

5 LT-802-B SCENCE SECTION A
1:6

6 LT-802-B SCENCE PLAN
1:6

STUDIO MUNGE
 25 WINGOLD AVENUE
 TORONTO, ONTARIO
 M6B 1P8 CANADA
 416.588.1688
 STUDIOMUNGE.COM

project> BISHA HOTEL
 drawing> WALL SCENCE

project # 28104
 date> ----
 scale: AS NOTED
 pages> 2/3

LT-802-B



7	LT-802-B	SCONCE PERSPECTIVE
	NTS	

STUDIO MUNGE
 25 WINGOLD AVENUE
 TORONTO, ONTARIO
 M6B 1P8 CANADA
 416.588.1688
 STUDIOMUNGE.COM

project> BISHA HOTEL
drawing> WALL SCONCE

project # 28104
scale: AS NOTED

date> ----
pages> 3/3

LT-802-B