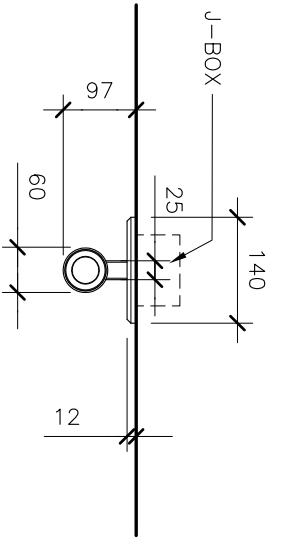
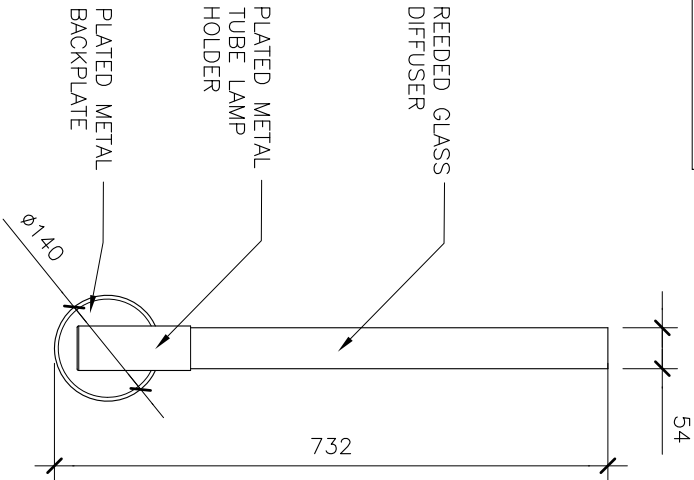


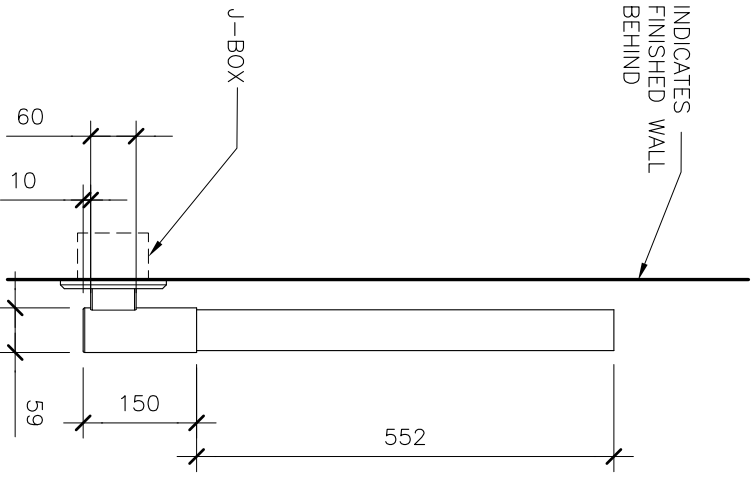
FOR DESIGN INTENT ONLY



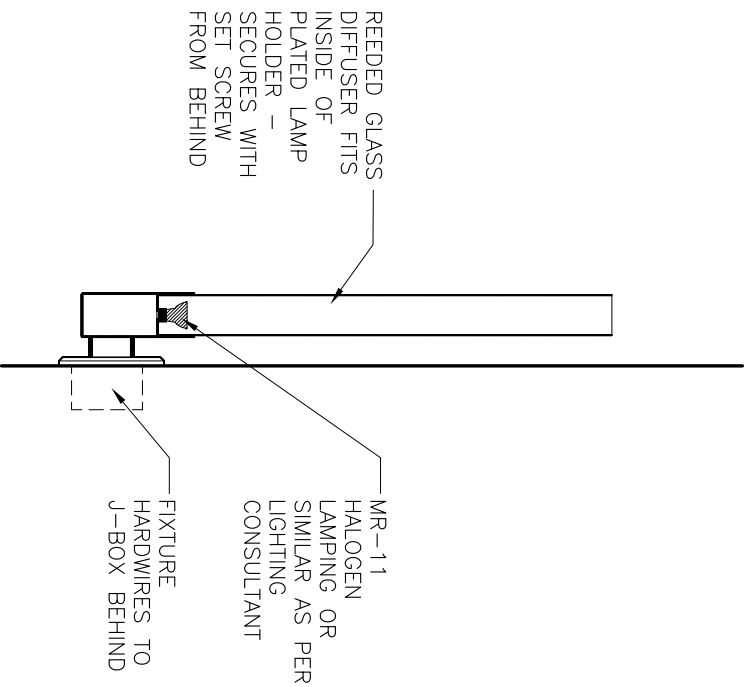
1 | LT-220
1:10
KING BATHROOM SCIONCE
PLAN



2 | LT-220
1:10
KING BATHROOM SCIONCE
FRONT ELEVATION



3 | LT-220
1:10
KING BATHROOM SCIONCE
SIDE ELEVATION



4 | LT-220
1:10
KING BATHROOM SCIONCE
SECTION

STUDIO MUNGE
25 WINGOLD AVENUE
TORONTO, ONTARIO
M6B 1P8 CANADA
416.588.1668
STUDIOMUNGE.COM

project: **56 Blue Jays Way- Bisha Hotel**
drawing: **KING BATHROOM SCIONCE**

project # **28104**
scale: **AS NOTE**

date: **07-20-2016**
pages: **1 OF 2**

LT-220



5 | LT-220
NTS

KING BATHROOM SCONCE
RENDERED VIEW

**STUDIO
MUNGE**

25 WINGOLD AVENUE
TORONTO, ONTARIO
M6B 1P8 CANADA
416.588.1668
STUDIOMUNGE.COM

project: 56 Blue Jays Way- Bisha Hotel
drawing: KING BATHROOM SCONCE

project # 28104
scale: AS NOTE

date: 07-20-2016
pages: 2 OF 2

LT-220

FOR DESIGN INTENT ONLY