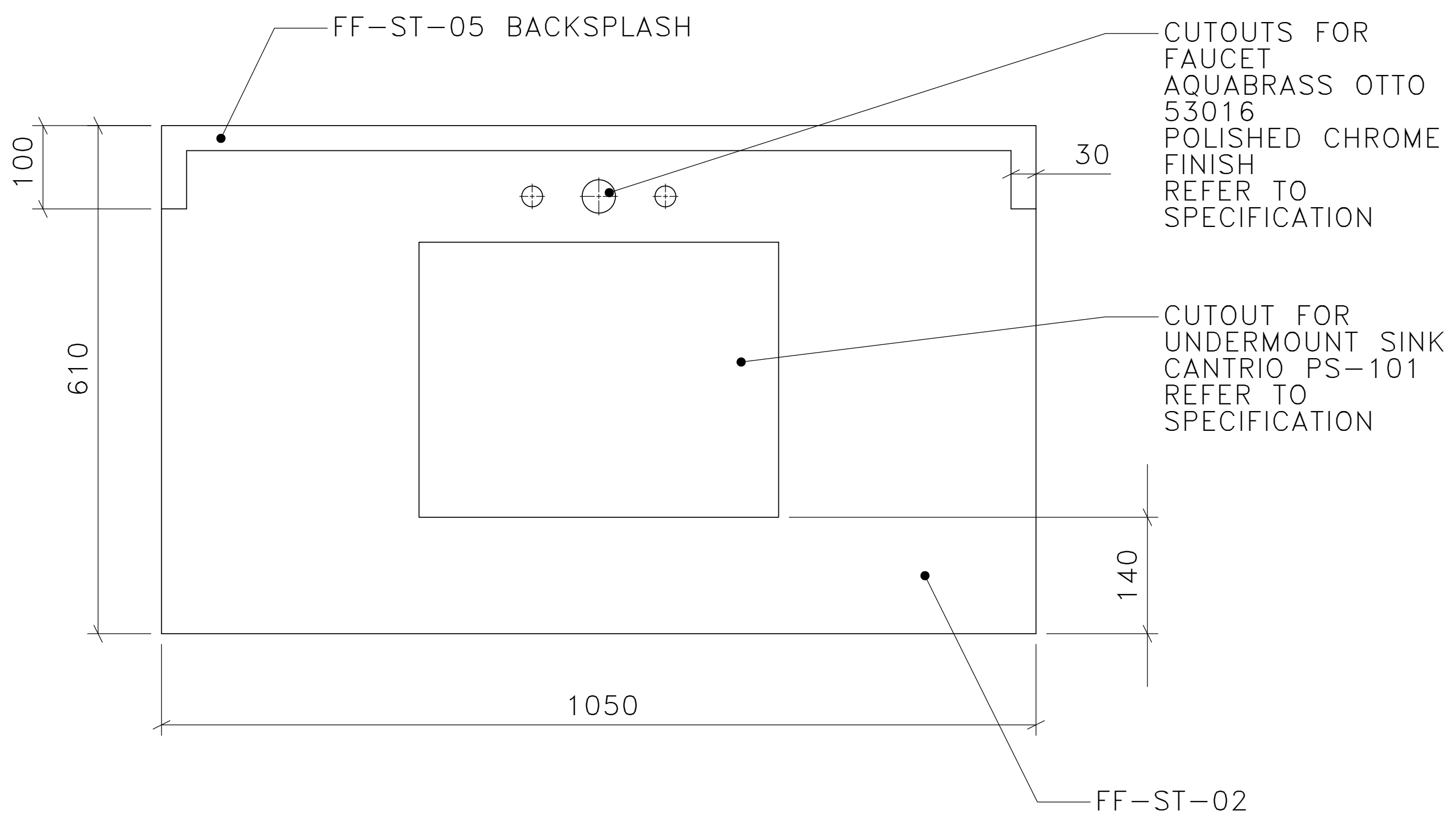


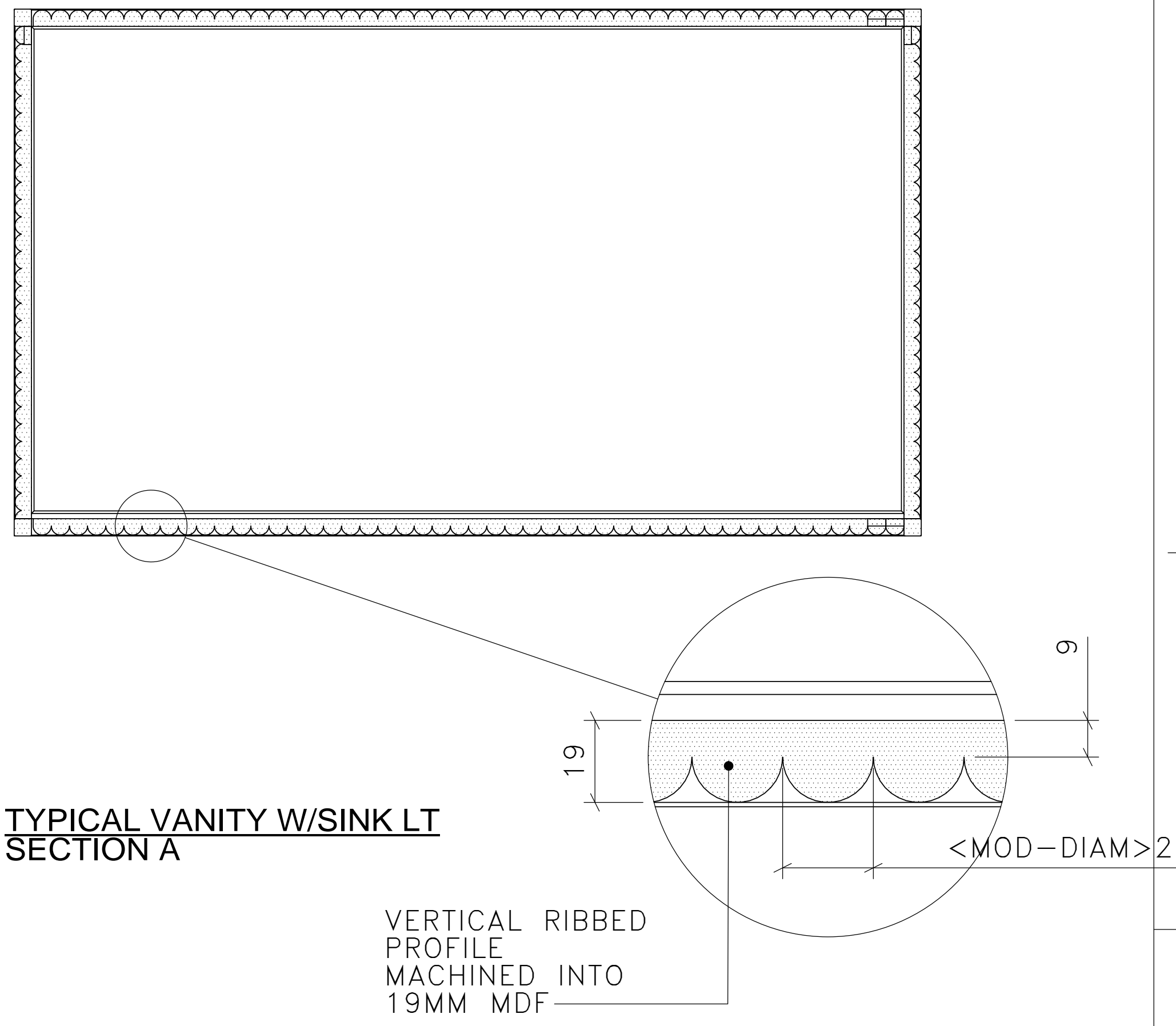
STUDIO MUNGE

DRAWING ARE NOT TO BE SCALED. CONTRACTOR MUST CHECK AND VERIFY ALL JOB DIMENSIONS, DRAWINGS, DETAILS AND SPECIFICATIONS; AND REPORT ANY DISCREPANCIES TO DESIGNER BEFORE PROCEEDING WITH WORK.

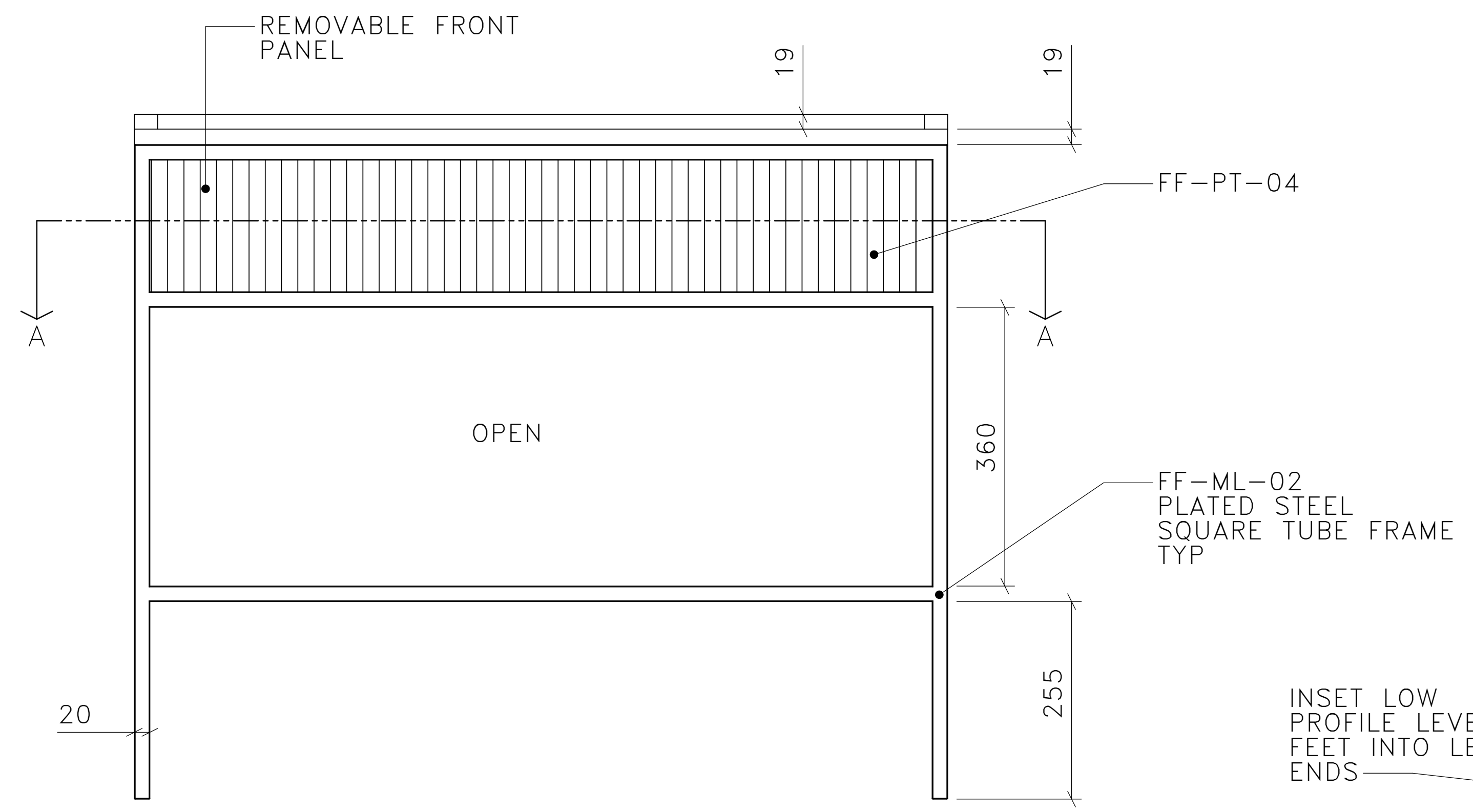
REV	ISSUED FOR	DATE



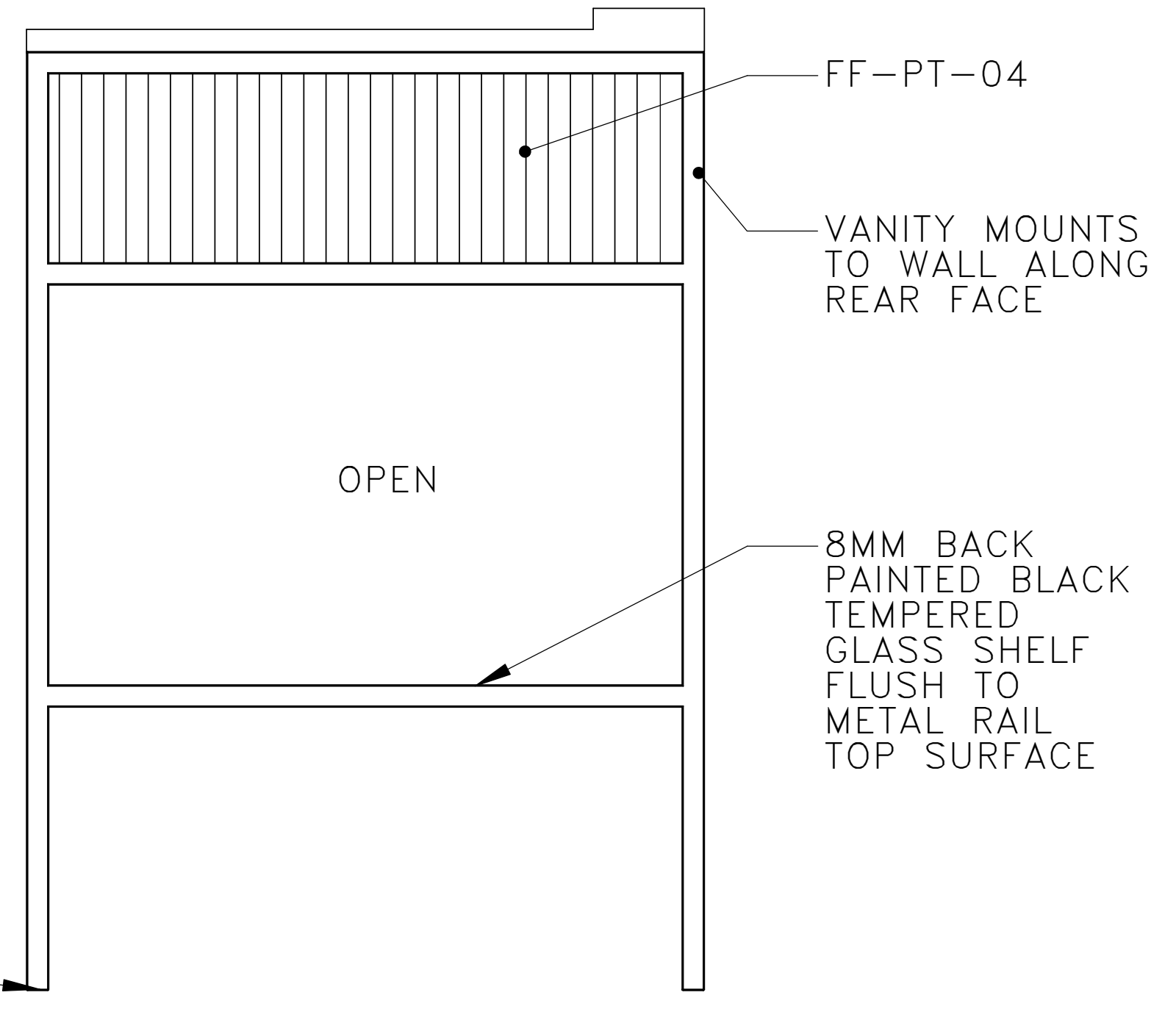
1 CG-201A
1:10 TYPICAL VANITY W/SINK LT
PLAN



3 CG-201A
1:10 TYPICAL VANITY W/SINK LT
SECTION A



2 CG-201A
1:10 TYPICAL VANITY W/SINK LT
FRONT ELEVATION



4 CG-201A
1:10 TYPICAL VANITY W/SINK LT
SIDE ELEVATION

STUDIO MUNGE
25 WINGOLD AVENUE
TORONTO, ONTARIO
M6B 1P8 CANADA
416.588.1668
STUDIOMUNGE.COM

SCALE AS NOTED	DATE 1/10/17
DRAWN BY AM	CHECKED BY
PROJECT NAME BISHA HOTEL	
DRAWING TITLE CG-201A TYPICAL VANITY LT	
PROJECT NUMBER 28104	
DRAWING NUMBER 1 / 2	

Y
X
1
2
3
4
5
6
E
F
D
C
B
A
Y
X



5 | CG-201A | TYPICAL VANITY LT
NTS | RENDERED VIEW

DRAWING ARE NOT TO BE SCALED. CONTRACTOR MUST CHECK AND VERIFY ALL JOB DIMENSIONS, DRAWINGS, DETAILS AND SPECIFICATIONS; AND REPORT ANY DISCREPANCIES TO DESIGNER BEFORE PROCEEDING WITH WORK.

-REV/	-ISSUED FOR	-DATE

STUDIO MUNGE
25 WINGOLD AVENUE
TORONTO, ONTARIO
M6B 1P8 CANADA
416.588.1668
STUDIOMUNGE.COM

-SCALE
AS NOTED

-DATE
1/10/17

-DRAWN BY
AM

-CHECKED BY

-PROJECT NAME

BISHA HOTEL

-DRAWING TITLE

CG-201A
TYPICAL VANITY LT

-PROJECT NUMBER
28104

-DRAWING NUMBER
2 / 2