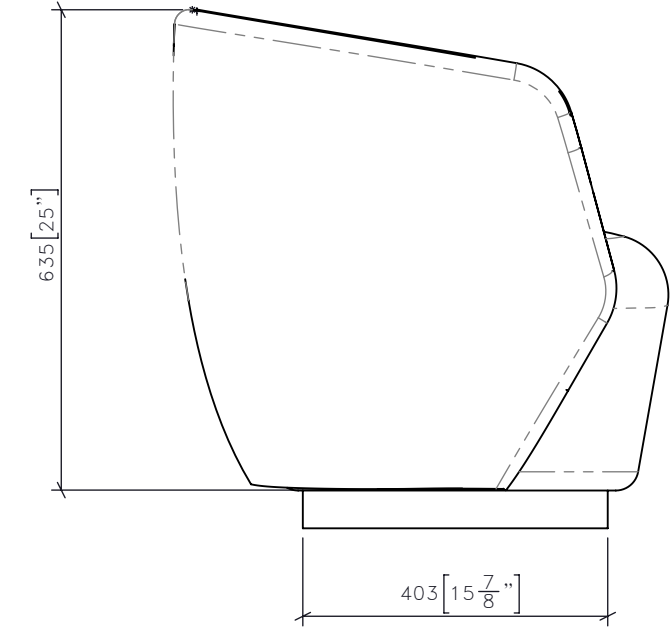
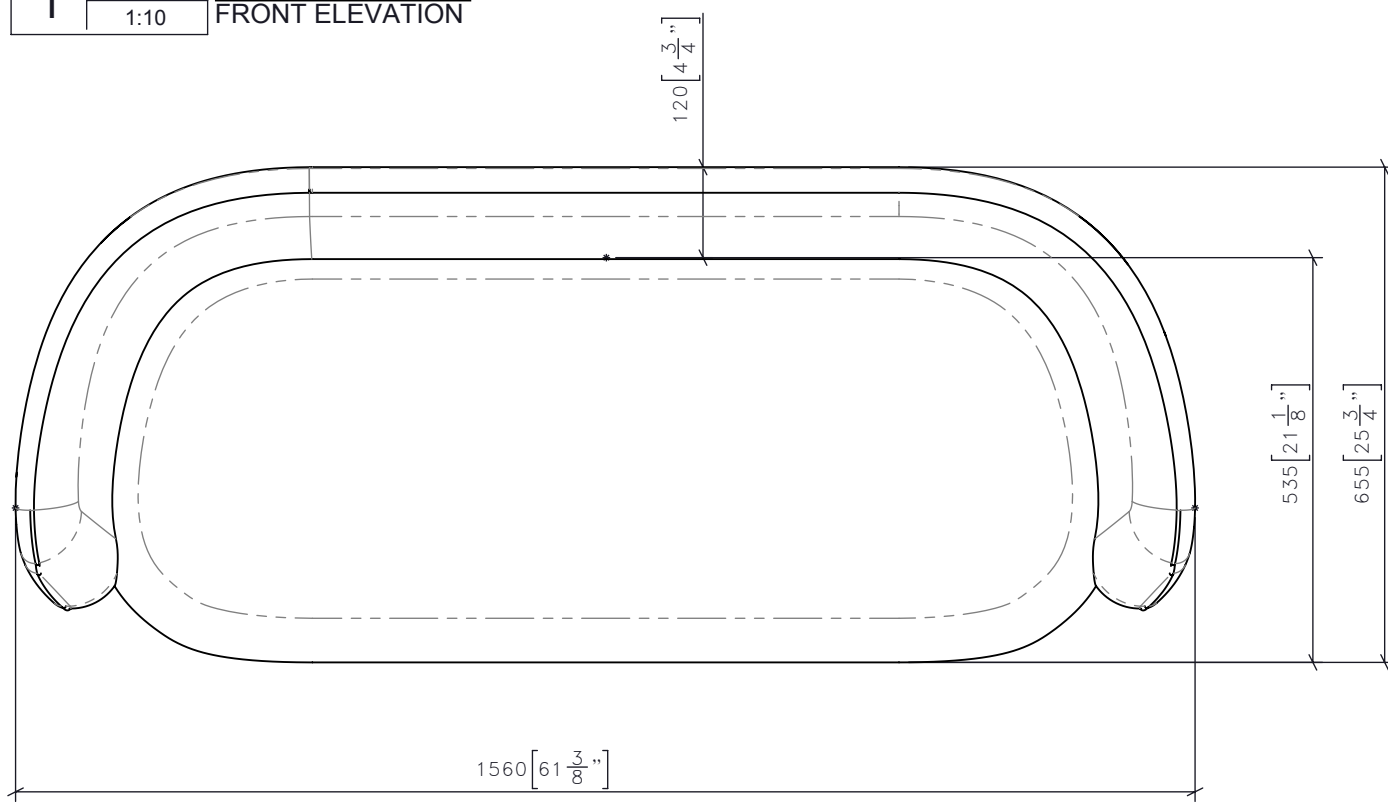


1 | SG-XX | TWO SEATER SOFA
1:10 | FRONT ELEVATION



3 | SG-XX | TWO SEATER SOFA
1:10 | SIDE ELEVATION



2 | SG-XX | TWO SEATER SOFA
1:10 | PLAN

-REV/	-ISSUED FOR	-DATE

STUDIO MUNGE
 25 WINGOLD AVENUE
 TORONTO, ONTARIO
 M6B 1P8 CANADA
 416.588.1668
 STUDIOMUNGE.COM

-SCALE
AS NOTED

-DATE
1/10/18

-DRAWN BY
RC

-CHECKED BY

-PROJECT NAME

BISHA LOUNGE

-DRAWING TITLE

SG-XX
TWO SEATER SOFA

-PROJECT NUMBER
XXXXXX

-DRAWING NUMBER
1 / 2

STUDIO MUNGE
Y
M
D
C
B
A
Y

1 2 3 4 5 6

FOR DESIGN INTENT ONLY

DRAWING ARE NOT TO BE SCALED. CONTRACTOR MUST CHECK AND VERIFY ALL JOB DIMENSIONS, DRAWINGS, DETAILS AND SPECIFICATIONS; AND REPORT ANY DISCREPANCIES TO DESIGNER BEFORE PROCEEDING WITH WORK.

-REV/	-ISSUED FOR	-DATE



**STUDIO
MUNGE**
25 WINGOLD AVENUE
TORONTO, ONTARIO
M6B 1P8 CANADA
416.588.1668
STUDIOMUNGE.COM

-SCALE AS NOTED
-DATE 1/10/18

-DRAWN BY AM
-CHECKED BY

-PROJECT NAME
BISHA LOUNGE

-DRAWING TITLE
SG-XX
TWO SEATER SOFA

-PROJECT NUMBER
XXXXXX

-DRAWING NUMBER
2 / 2

1 2 3 4 5 6