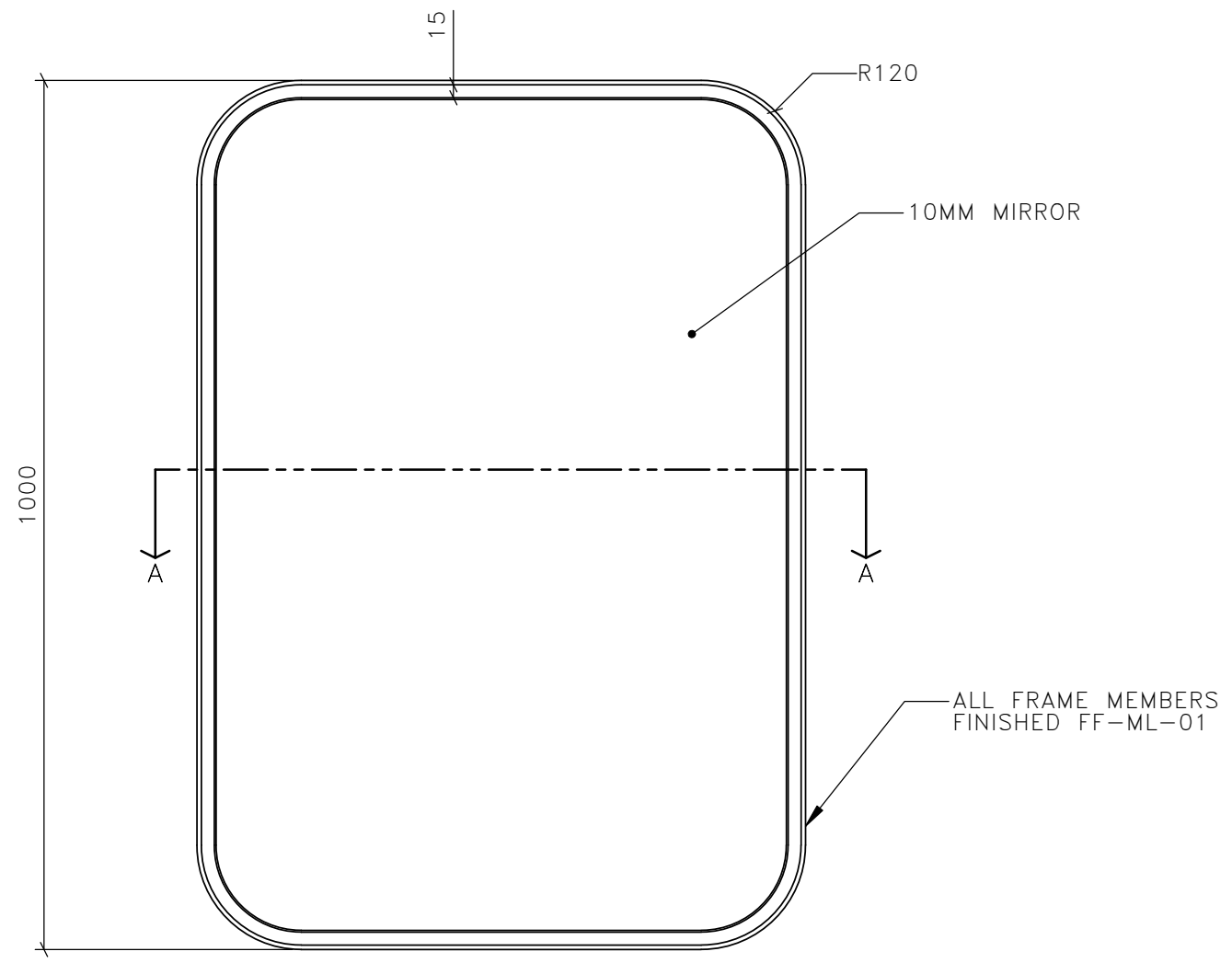
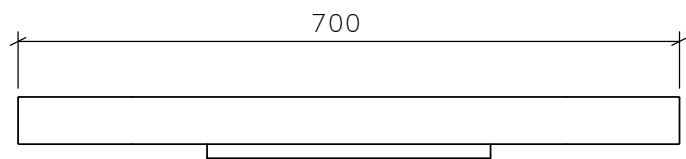


DRAWING ARE NOT TO BE SCALED. CONTRACTOR MUST CHECK AND VERIFY ALL JOB DIMENSIONS, DRAWINGS, DETAILS AND SPECIFICATIONS; AND REPORT ANY DISCREPANCIES TO DESIGNER BEFORE PROCEEDING WITH WORK.

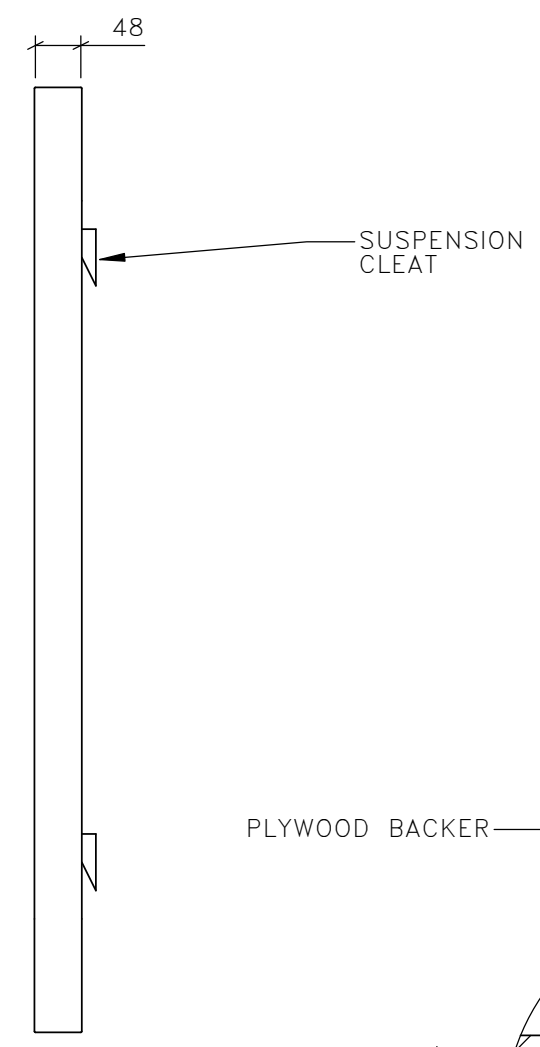
-REV/	-ISSUED FOR	-DATE



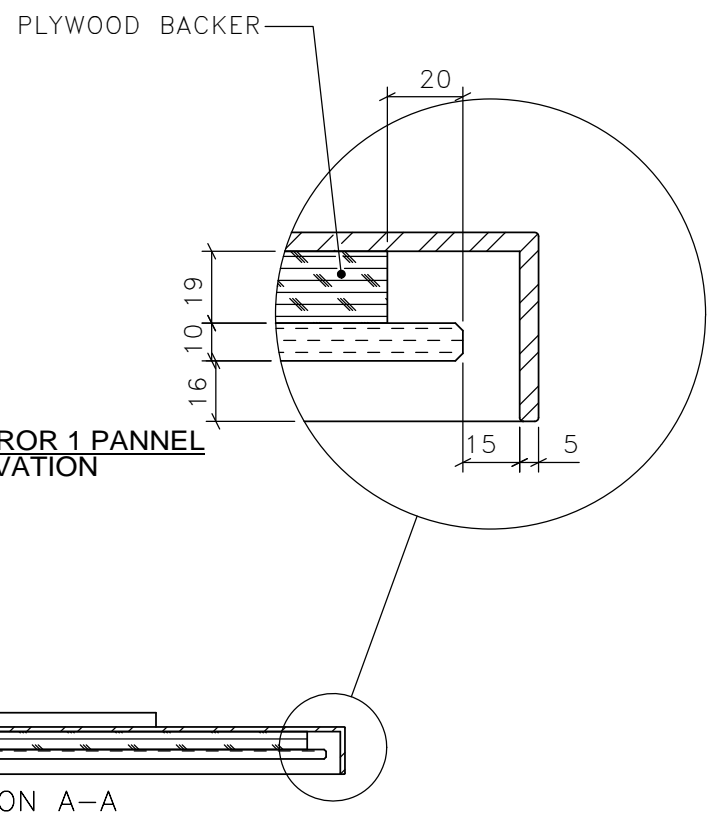
1 CG-210C
1:8 **VANITY MIRROR 1 PANNEL
FRONT ELEVATION**



3 CG-210C
1:8 **VANITY MIRROR 1 PANNEL
FRONT ELEVATION**



2 CG-210C
1:8 **VANITY MIRROR 1 PANNEL
FRONT ELEVATION**



SECTION A-A

4 CG-210C
1:8 **VANITY MIRROR 1 PANNEL
SECTION PLAN**

STUDIO MUNGE
25 WINGOLD AVENUE
TORONTO, ONTARIO
M6B 1P8 CANADA
416.588.1668
STUDIOMUNGE.COM

-SCALE
AS NOTED

-DATE
1/20/17

-DRAWN BY
EP

-CHECKED BY

-PROJECT NAME

BISHA HOTEL

-DRAWING TITLE

CG-210B
TYPICAL WASHROOM VANITY MIRROR
1 PANNEL

-PROJECT NUMBER
28104

-DRAWING NUMBER
1 / 2

STUDIO MUNGE
Y
E
D
C
B
A
Y



DRAWING ARE NOT TO BE SCALED. CONTRACTOR MUST CHECK AND VERIFY ALL JOB DIMENSIONS, DRAWINGS, DETAILS AND SPECIFICATIONS; AND REPORT ANY DISCREPANCIES TO DESIGNER BEFORE PROCEEDING WITH WORK.

-REV/	-ISSUED FOR	-DATE

STUDIO MUNGE
25 WINGOLD AVENUE
TORONTO, ONTARIO
M6B 1P8 CANADA
416.588.1668
STUDIOMUNGE.COM

-SCALE
AS NOTED

-DATE
1/20/17

-DRAWN BY
EP

-CHECKED BY

-PROJECT NAME

BISHA HOTEL

-DRAWING TITLE

CG-210B
TYPICAL WASHROOM VANITY MIRROR
1 PANEL

-PROJECT NUMBER
28104

-DRAWING NUMBER
2 / 2