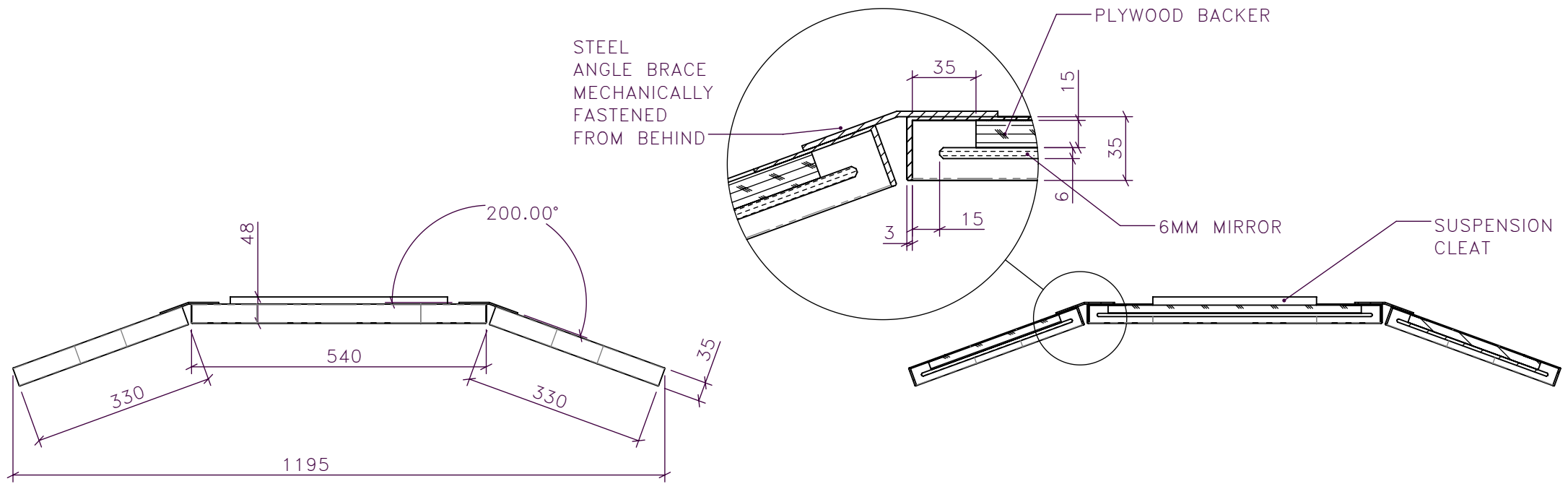


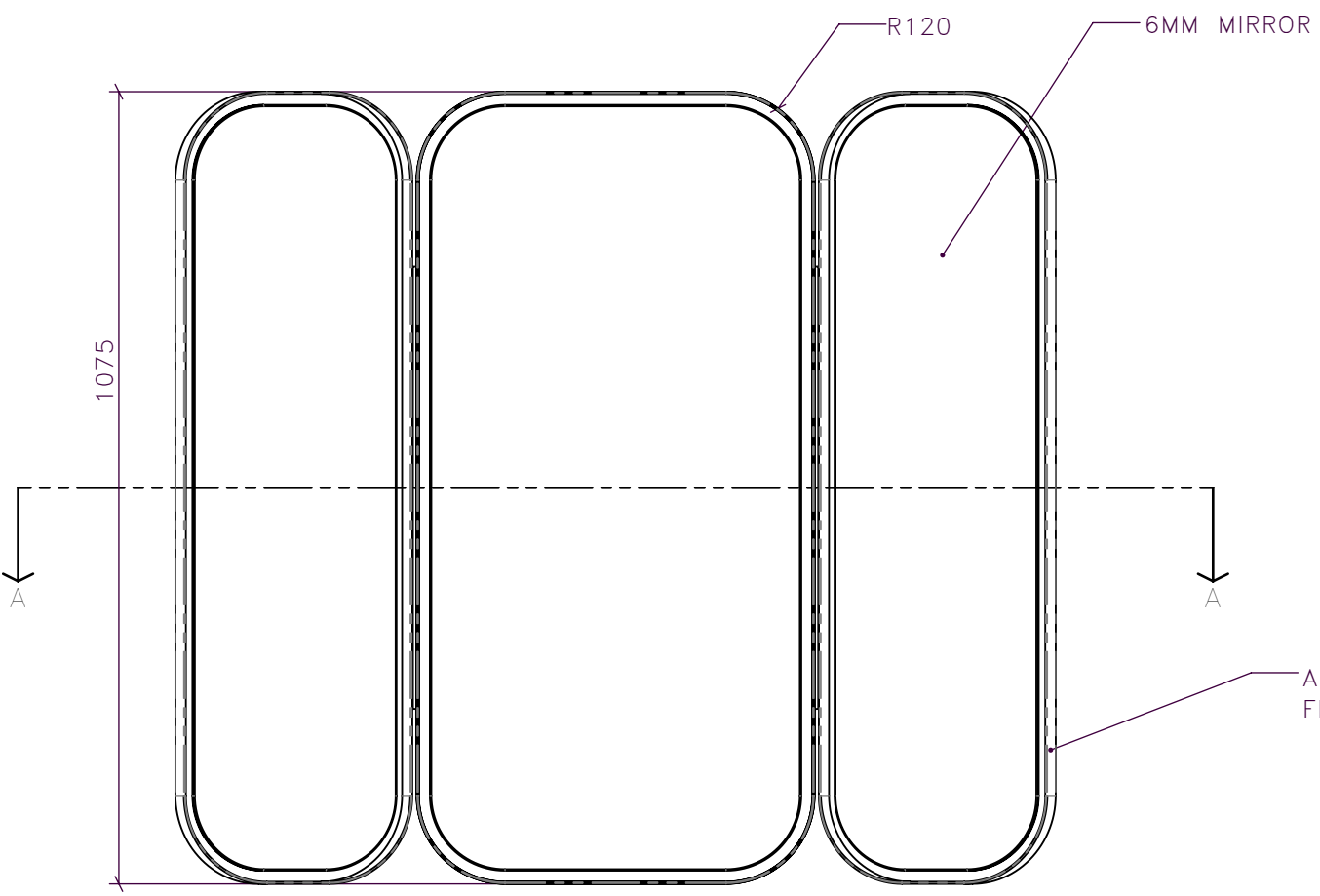
DRAWING ARE NOT TO BE SCALED. CONTRACTOR MUST CHECK AND VERIFY ALL JOB DIMENSIONS, DRAWINGS, DETAILS AND SPECIFICATIONS; AND REPORT ANY DISCREPANCIES TO DESIGNER BEFORE PROCEEDING WITH WORK.

-REV/	-ISSUED FOR	-DATE

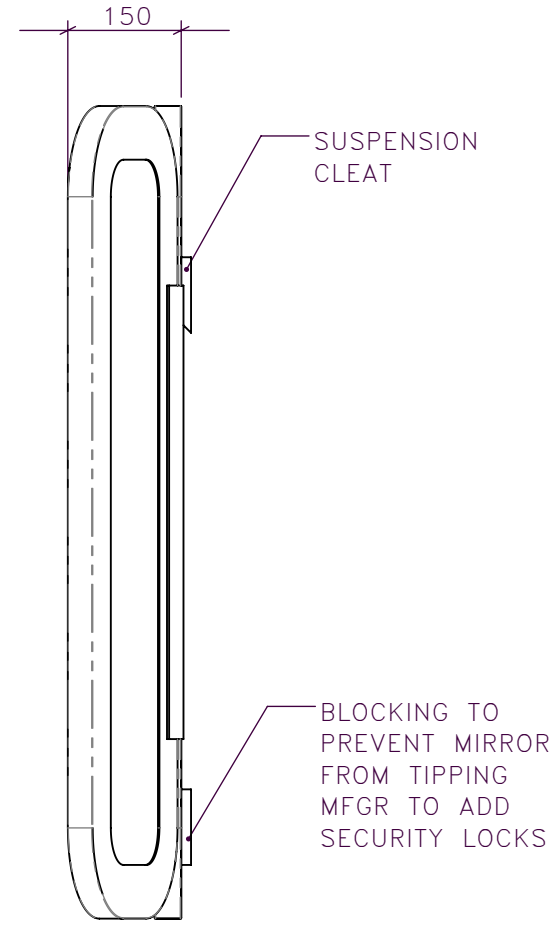


1 CG-210A TYPICAL VANITY MIRROR D.K.
1:10 PLAN

3 CG-210A TYPICAL VANITY MIRROR D.K.
1:10 SECTION A



2 CG-210A TYPICAL VANITY MIRROR D.K.
1:10 FRONT ELEVATION

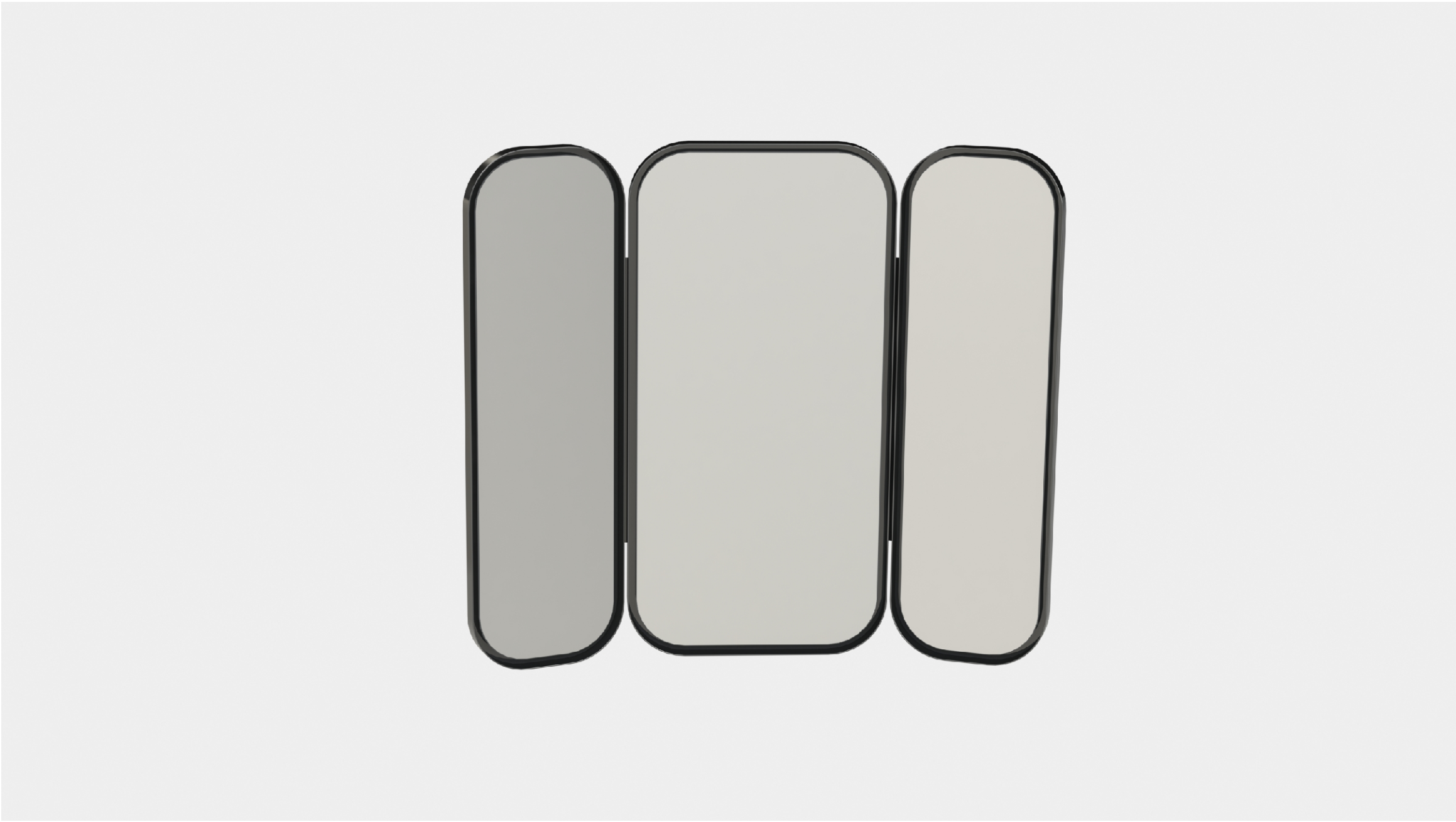


4 CG-210A TYPICAL VANITY MIRROR D.K.
1:10 SIDE ELEVATION

STUDIO MUNGE
25 WINGOLD AVENUE
TORONTO, ONTARIO
M6B 1P8 CANADA
416.588.1668
STUDIOMUNGE.COM

-SCALE AS NOTED	-DATE 4/19/17
-DRAWN BY AM	-CHECKED BY
-PROJECT NAME	
PROJECT NAME	
-DRAWING TITLE	
CG-210A TYPICAL VANITY MIRROR D.K.	
-PROJECT NUMBER 28104	
-DRAWING NUMBER 1 / 2	

STUDIO MUNGE
E
D
C
B
A
Y



5 CG-210A TYPICAL VANITY MIRROR D.K.
NTS RENDERED VIEW

DRAWING ARE NOT TO BE SCALED. CONTRACTOR MUST CHECK AND VERIFY ALL JOB DIMENSIONS, DRAWINGS, DETAILS AND SPECIFICATIONS; AND REPORT ANY DISCREPANCIES TO DESIGNER BEFORE PROCEEDING WITH WORK.

-REV/	-ISSUED FOR	-DATE

STUDIO MUNGE
25 WINGOLD AVENUE
TORONTO, ONTARIO
M6B 1P8 CANADA
416.588.1668
STUDIOMUNGE.COM

-SCALE
AS NOTED

-DATE
4/19/17

-DRAWN BY
AM

-CHECKED BY

-PROJECT NAME

PROJECT NAME

-DRAWING TITLE

CG-210A
TYPICAL VANITY MIRROR D.K.

-PROJECT NUMBER
28104

-DRAWING NUMBER
2 / 2