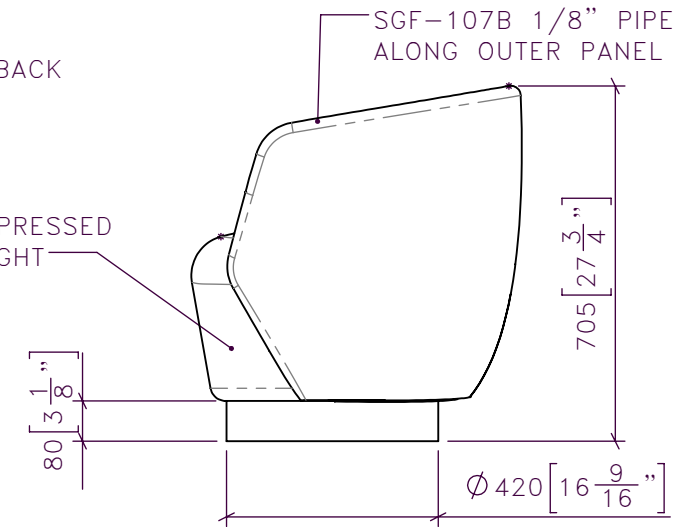
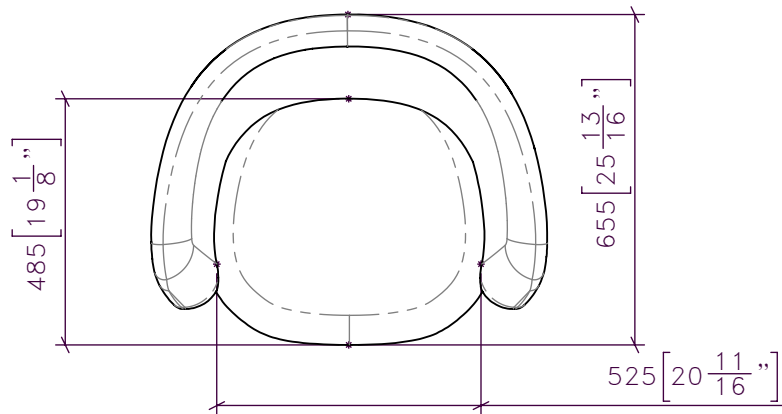


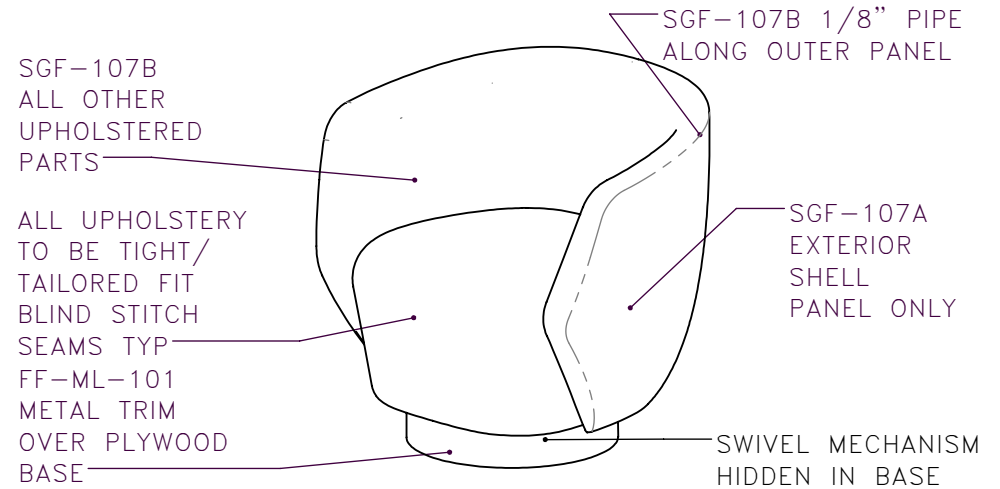
1 SG-107 1:15 UPHOLSTERED LOUNGE CHAIR FRONT ELEVATION



3 SG-107 1:15 UPHOLSTERED LOUNGE CHAIR SIDE ELEVATION



2 SG-107 1:15 UPHOLSTERED LOUNGE CHAIR PLAN



4 SG-107 1:15 UPHOLSTERED LOUNGE CHAIR ISOMETRIC

REFER TO PAGE 1 FOR
CORRECT FINISHES
IMAGE FOR REFERENCE ONLY



5 | SG-107 | **UPHOLSTERED LOUNGE CHAIR**
NTS | RENDERED VIEW

STUDIO MUNGE
25 WINGOLD AVENUE
TORONTO, ONTARIO
M6B 1P8 CANADA
416.588.1688
STUDIOMUNGE.COM

project> BISHA HOTEL LOBBY LOUNGE
drawing> UPHOLSTERED LOUNGE CHAIR

project # 28104
scale: AS NOTED

date> ----
pages> 2/2

SG-107