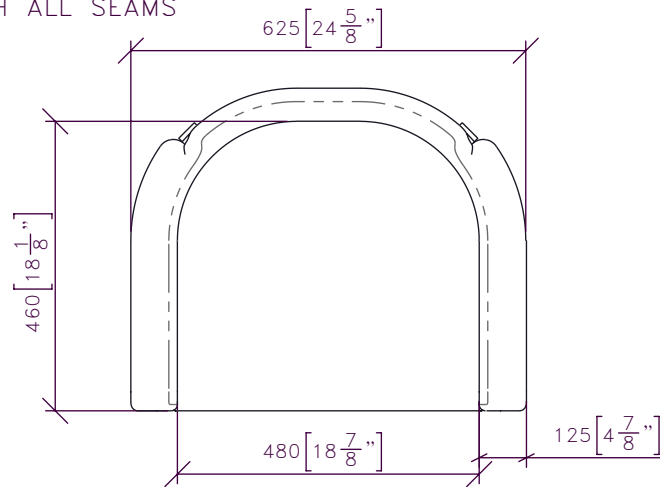
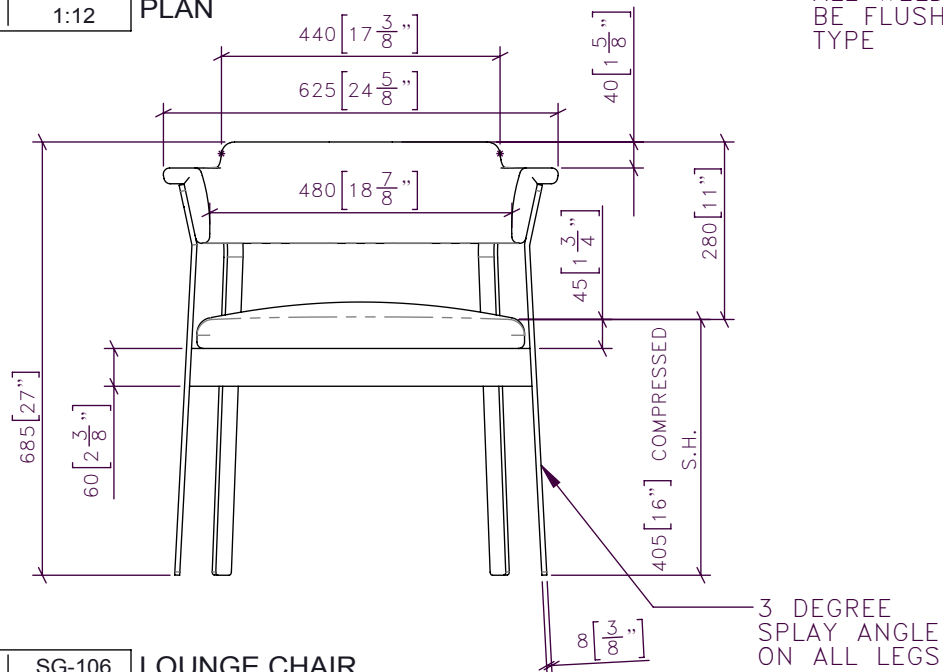


ALL UPHOLSTERY TO BE
TIGHT/TAILORED FIT
BLIND STITCH ALL SEAMS

FOR DESIGN INTENT ONLY



1 | SG-106 | **LOUNGE CHAIR**
1:12 | **PLAN**



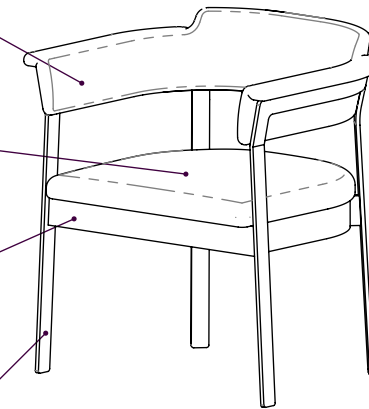
2 | SG-106 | **LOUNGE CHAIR**
1:12 | **FRONT ELEVATION**

SGF-106A
UPHOLSTERED
CONTINUOUS ARM

SGF-106A
UPHOLSTERED
SEAT

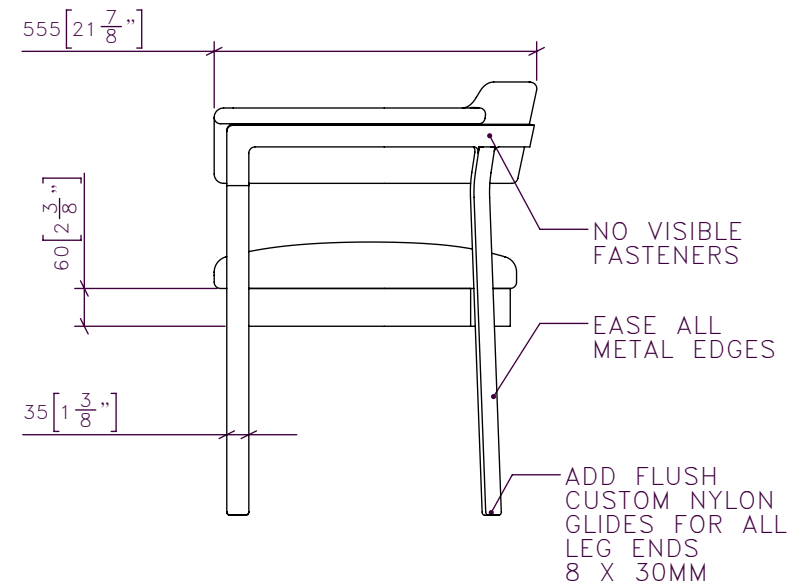
FF-ML-101
8MM X 60MM
PLATED STEEL
FLATBAR
APRONS

FF-ML-101
8MM X 35MM
PLATED STEEL
FLATBAR
FRAME



ALL WELDS TO
BE FLUSH/SEAMLESS
TYPE

3 | SG-106 | **LOUNGE CHAIR**
1:12 | **ISOMETRIC**



4 | SG-106 | **LOUNGE CHAIR**
1:12 | **SIDE ELEVATION**



5 | SG-106 | LOUNGE CHAIR
 NTS | RENDERED VIEW

STUDIO MUNGE
 25 WINGOLD AVENUE
 TORONTO, ONTARIO
 M6B 1P8 CANADA
 416.588.1688
 STUDIOMUNGE.COM

project> BISHA HOTEL LOBBY LOUNGE

project # 28104

date> ----

drawing> LOUNGE CHAIR

scale: 1:12

pages> 2/2

SG-106