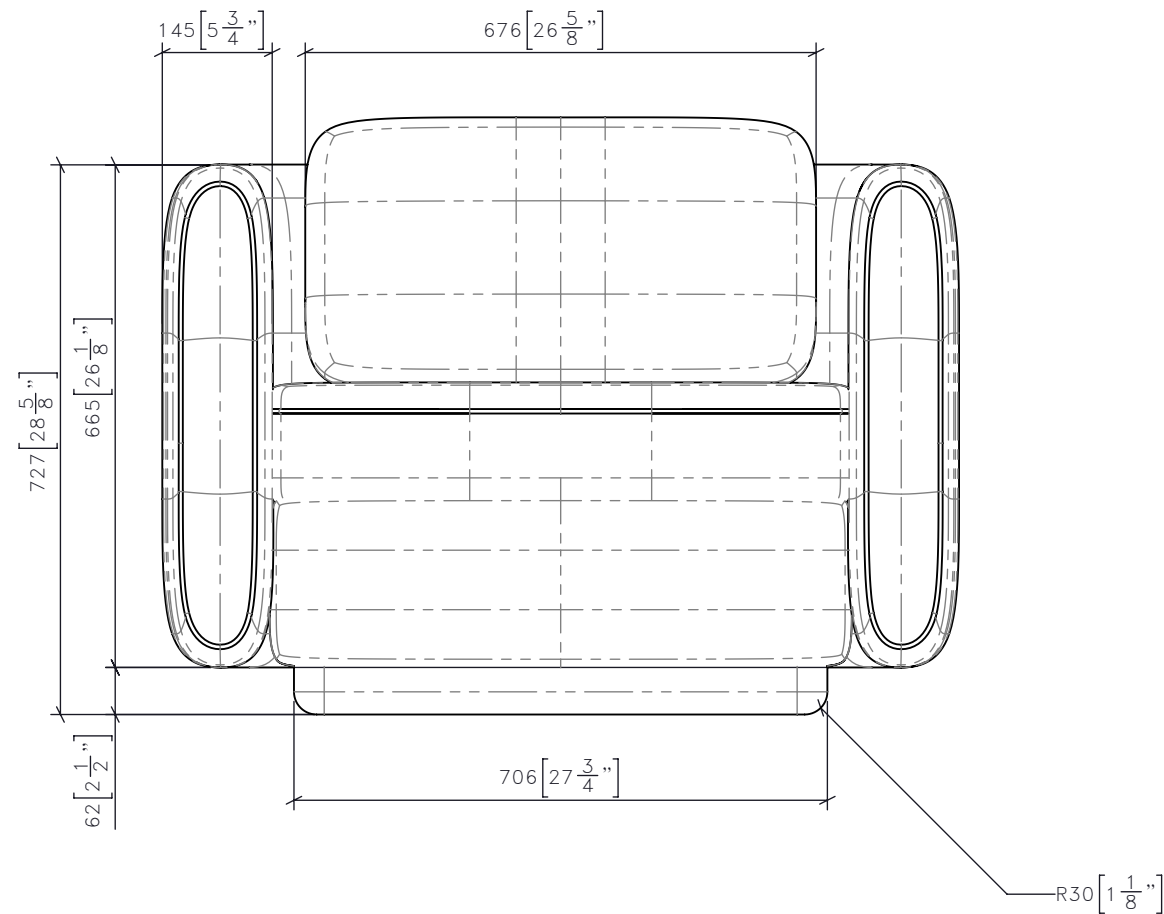
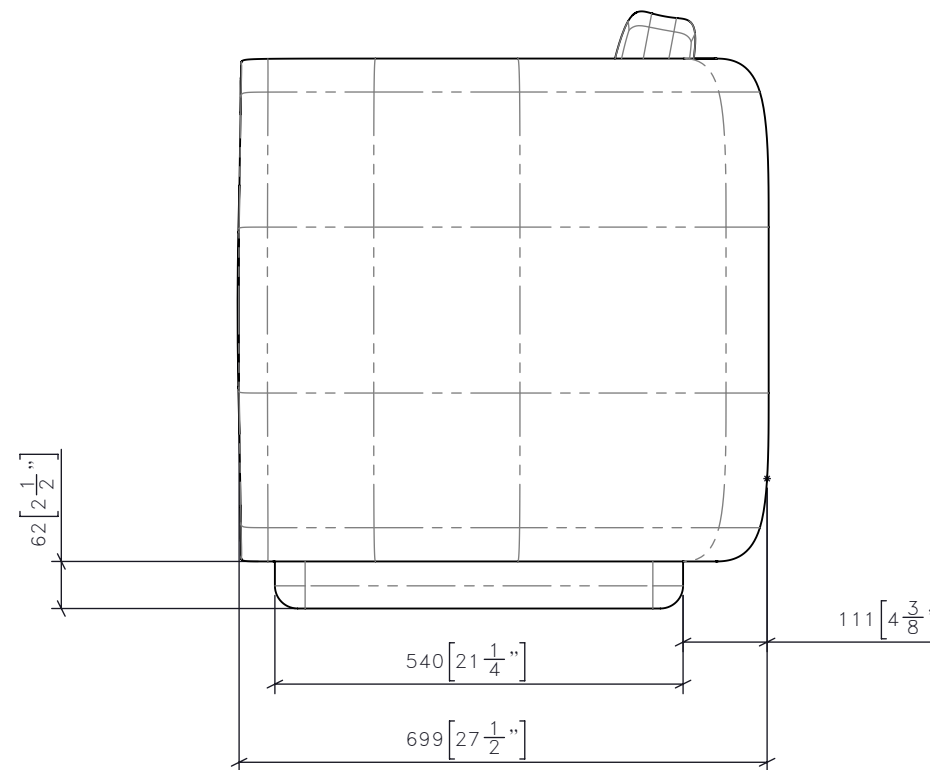


1 | SG-03 | DINING SOFA
1:10 | PLAN



2 | SG-03 | DINING SOFA
1:10 | FRONT ELEVATION



3 | SG-03 | DINING SOFA
1:10 | SIDE ELEVATION

REV	ISSUED FOR	DATE

STUDIO MUNGE
 25 WINGOLD AVENUE
 TORONTO, ONTARIO
 M6B 1P8 CANADA
 416.588.1668
 STUDIOMUNGE.COM

SCALE AS NOTED	DATE 1/9/18
DRAWN BY AM	CHECKED BY
PROJECT NAME BISHA HOTEL ROOFTOP RESTAURANT	
DRAWING TITLE SG-03 DINING SOFA	
PROJECT NUMBER 16115	
DRAWING NUMBER 1 / 2	

STUDIO MUNGE
X
Y
A
B
C
D
E
F
G
H
I
J
K
L
M
N
O
P
Q
R
S
T
U
V
W
X
Y

FOR DESIGN INTENT ONLY

DRAWING ARE NOT TO BE SCALED. CONTRACTOR MUST CHECK AND VERIFY ALL JOB DIMENSIONS, DRAWINGS, DETAILS AND SPECIFICATIONS; AND REPORT ANY DISCREPANCIES TO DESIGNER BEFORE PROCEEDING WITH WORK.



-REV/	-ISSUED FOR	-DATE

**STUDIO
MUNGE**
25 WINGOLD AVENUE
TORONTO, ONTARIO
M6B 1P8 CANADA
416.588.1668
STUDIOMUNGE.COM

-SCALE
AS NOTED

-DATE
1/9/18

-DRAWN BY
AM

-CHECKED BY

-PROJECT NAME

BISHA HOTEL ROOFTOP RESTAURANT

-DRAWING TITLE

SG-03
DINING SOFA

-PROJECT NUMBER
16115

-DRAWING NUMBER
2 / 2

3 | SG-03 | DINING SOFA
NTS | RENDERED VIEW