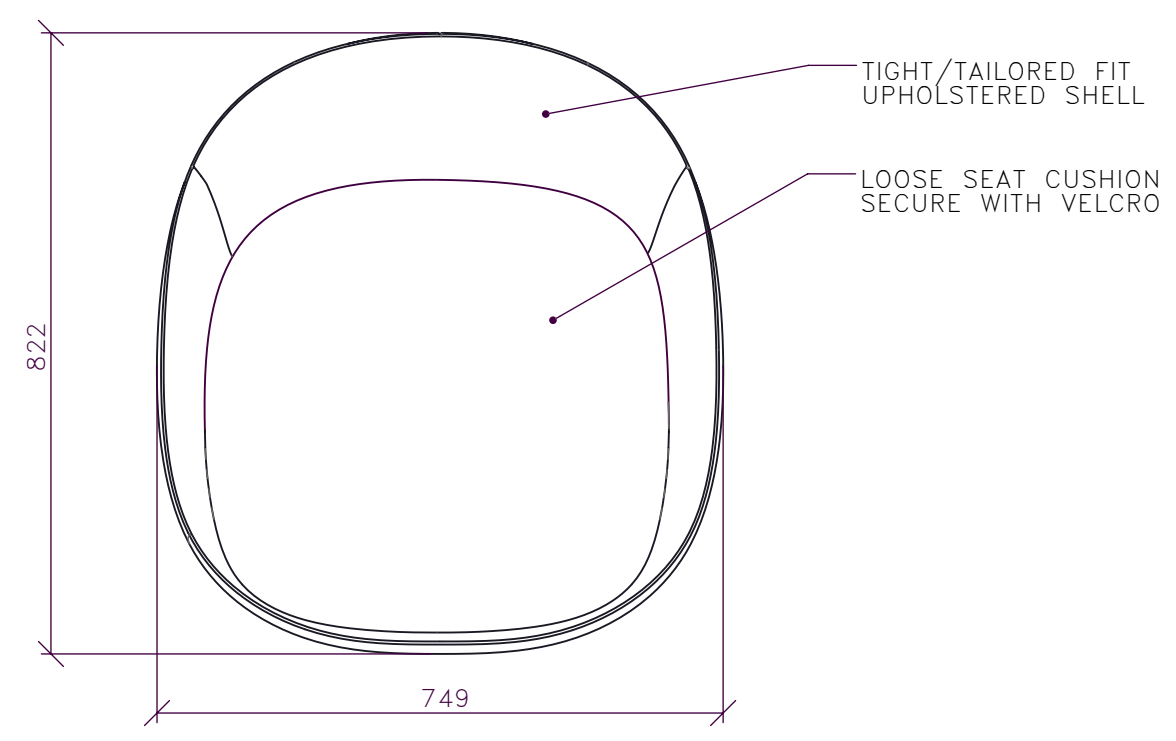
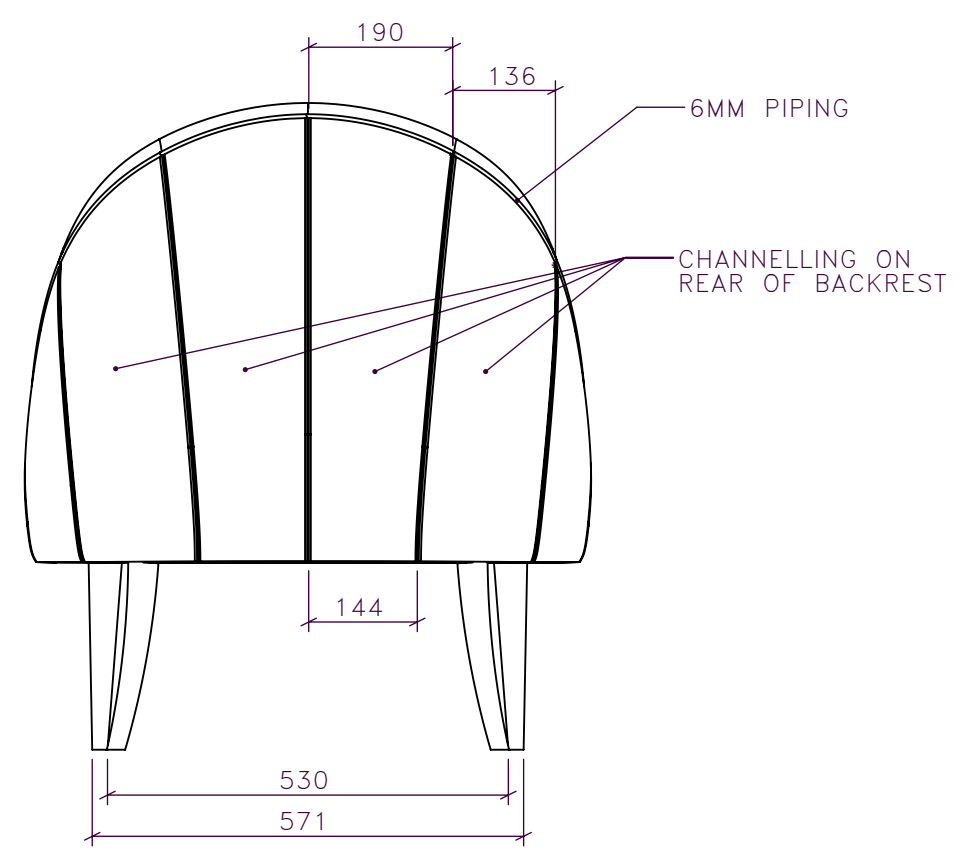


DRAWING ARE NOT TO BE SCALED. CONTRACTOR MUST CHECK AND VERIFY ALL JOB DIMENSIONS, DRAWINGS, DETAILS AND SPECIFICATIONS, AND REPORT ANY DISCREPANCIES TO DESIGNER BEFORE PROCEEDING WITH WORK.

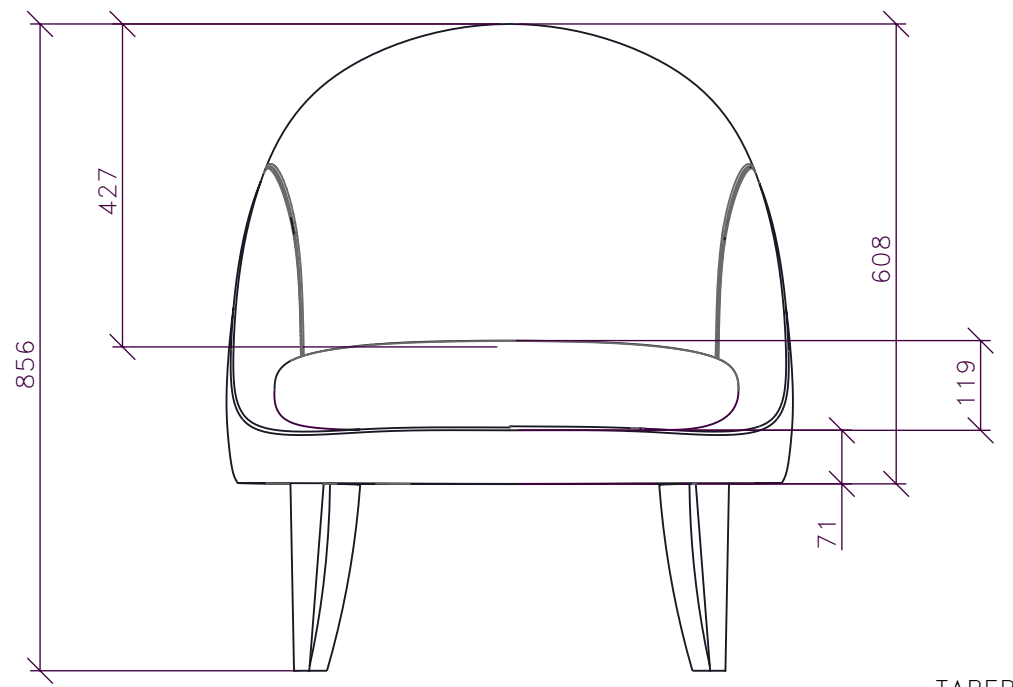
-REV/	-ISSUED FOR	-DATE



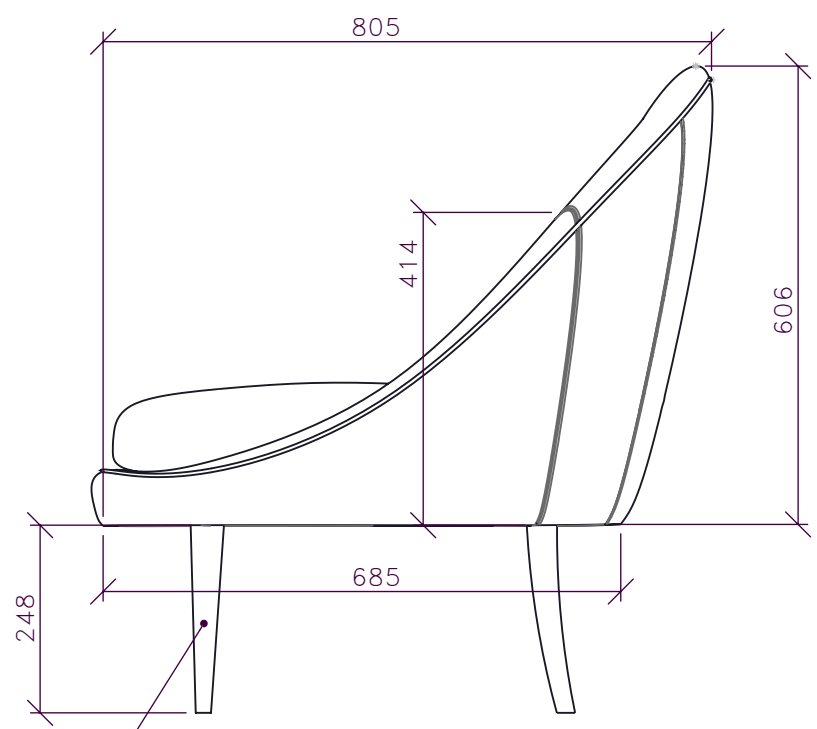
**1** | SG-210 | LOUNGE CHAIR  
1:10 | PLAN



**3** | SG-210 | LOUNGE CHAIR  
1:10 | REAR ELEVATION



**2** | SG-210 | LOUNGE CHAIR  
1:10 | FRONT ELEVATION



**4** | SG-210 | LOUNGE CHAIR  
1:10 | SIDE ELEVATION

TAPERED LACQUERED  
HARDWOOD LEGS  
50MM DIAMETER TOP  
TO 25MM DIAMETER FOOT  
ADD GLIDES AS NEEDED

**STUDIO MUNGE**  
25 WINGOLD AVENUE  
TORONTO, ONTARIO  
M6B 1P8 CANADA  
416.588.1668  
STUDIOMUNGE.COM

**-SCALE**  
AS NOTED

**-DATE**  
1/17/17

**-DRAWN BY**  
AM

**-CHECKED BY**

**-PROJECT NAME**

BISHA HOTEL

**-DRAWING TITLE**

SG-210

**-PROJECT NUMBER**  
28104

**-DRAWING NUMBER**  
1 / 3

STUDIO MUNGE  
Y  
E  
M  
D  
C  
B  
A  
Y

1 2 3 4 5 6

DRAWING ARE NOT TO BE SCALED. CONTRACTOR MUST CHECK AND VERIFY ALL JOB DIMENSIONS, DRAWINGS, DETAILS AND SPECIFICATIONS; AND REPORT ANY DISCREPANCIES TO DESIGNER BEFORE PROCEEDING WITH WORK.

-REV/	-ISSUED FOR	-DATE



**STUDIO MUNGE**  
25 WINGOLD AVENUE  
TORONTO, ONTARIO  
M6B 1P8 CANADA  
416.588.1668  
STUDIOMUNGE.COM

**-SCALE**  
AS NOTED

**-DATE**  
1/17/17

**-DRAWN BY**  
AM

**-CHECKED BY**

**-PROJECT NAME**

BISHA HOTEL

**-DRAWING TITLE**

SG-210

**-PROJECT NUMBER**  
28104

**-DRAWING NUMBER**  
2 / 3

**5** | SG-210 | LOUNGE CHAIR  
NTS | RENDERED VIEW

1 2 3 4 5 6

STUDIO MUNGE  
Y  
E  
M  
D  
C  
B  
A  
Y



6	SG-210	LOUNGE CHAIR RENDERED VIEW
	NTS	

DRAWING ARE NOT TO BE SCALED. CONTRACTOR MUST CHECK AND VERIFY ALL JOB DIMENSIONS, DRAWINGS, DETAILS AND SPECIFICATIONS; AND REPORT ANY DISCREPANCIES TO DESIGNER BEFORE PROCEEDING WITH WORK.

-REV/	-ISSUED FOR	-DATE

**STUDIO  
MUNGE**  
25 WINGOLD AVENUE  
TORONTO, ONTARIO  
M6B 1P8 CANADA  
416.588.1668  
STUDIOMUNGE.COM

<b>-SCALE</b> AS NOTED	<b>-DATE</b> 1/17/17
---------------------------	-------------------------

<b>-DRAWN BY</b> AM	<b>-CHECKED BY</b>
------------------------	--------------------

**-PROJECT NAME**

BISHA HOTEL

**-DRAWING TITLE**

SG-210

**-PROJECT NUMBER**  
28104

**-DRAWING NUMBER**  
3 / 3