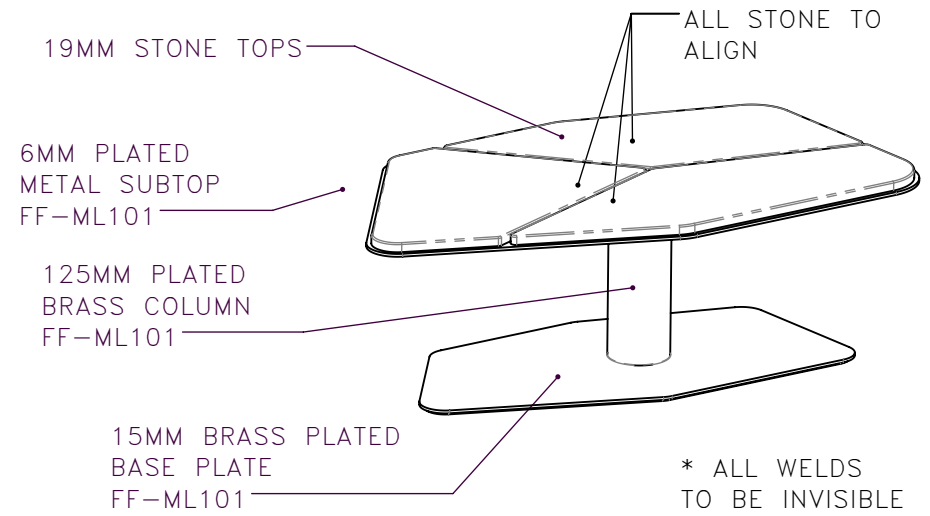
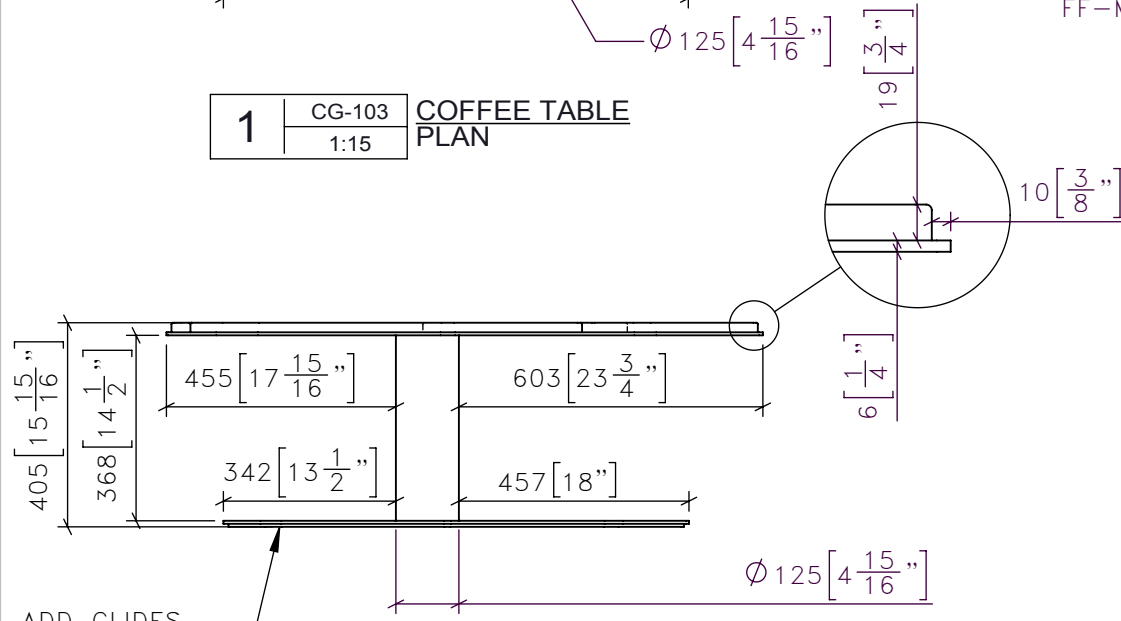


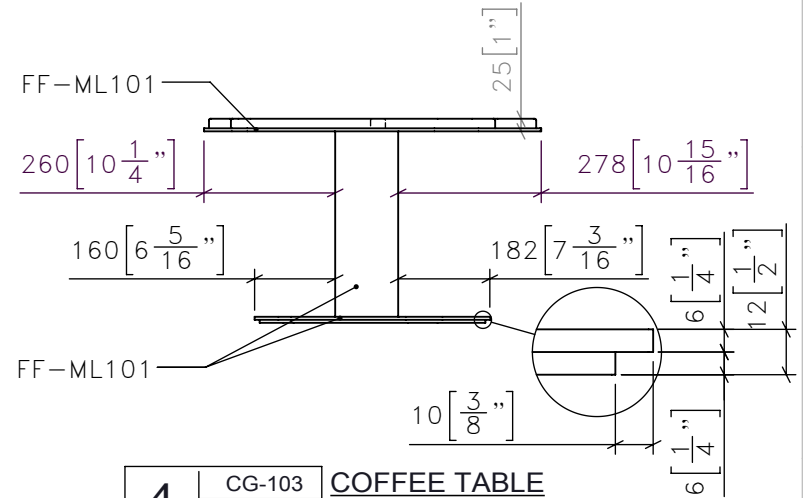
1 CG-103
1:15 **COFFEE TABLE PLAN**



3 CG-103
1:15 **COFFEE TABLE ISOMETRIC**



2 CG-103
1:15 **COFFEE TABLE SIDE ELEVATION**



4 CG-103
1:15 **COFFEE TABLE FRONT ELEVATION**

ADD GLIDES AS NEEDED



| | | |
|---|--------|-------------------------------|
| 5 | CG-103 | COFFEE TABLE RENDERED VIEW |
| | 1:15 | |

STUDIO
MUNGE

25 WINGOLD AVENUE
TORONTO, ONTARIO
M6B 1P8 CANADA
416.588.1688
STUDIOMUNGE.COM

project> BISHA LOBBY BAR/LOUNGE

project # 28104

date> ----

drawing> COFFEE TABLE

scale: AS NOTED

pages> 2/2

CG-103