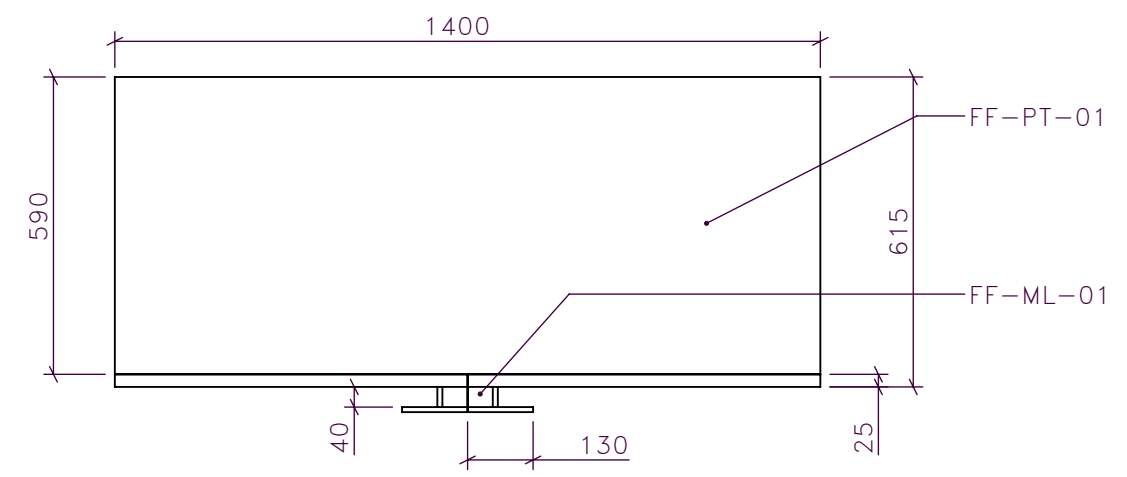
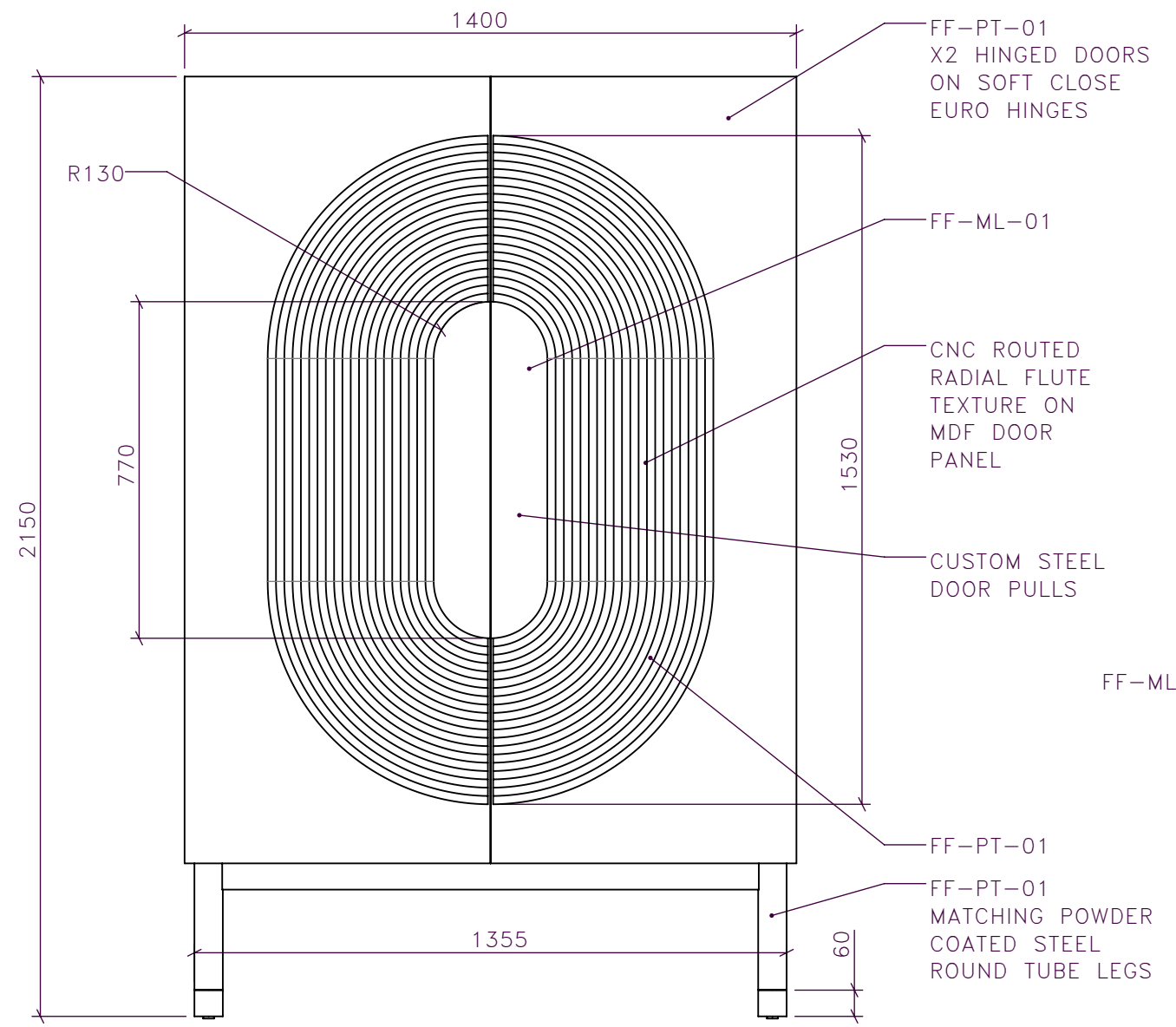


DRAWING ARE NOT TO BE SCALED. CONTRACTOR MUST CHECK AND VERIFY ALL JOB DIMENSIONS, DRAWINGS, DETAILS AND SPECIFICATIONS; AND REPORT ANY DISCREPANCIES TO DESIGNER BEFORE PROCEEDING WITH WORK.

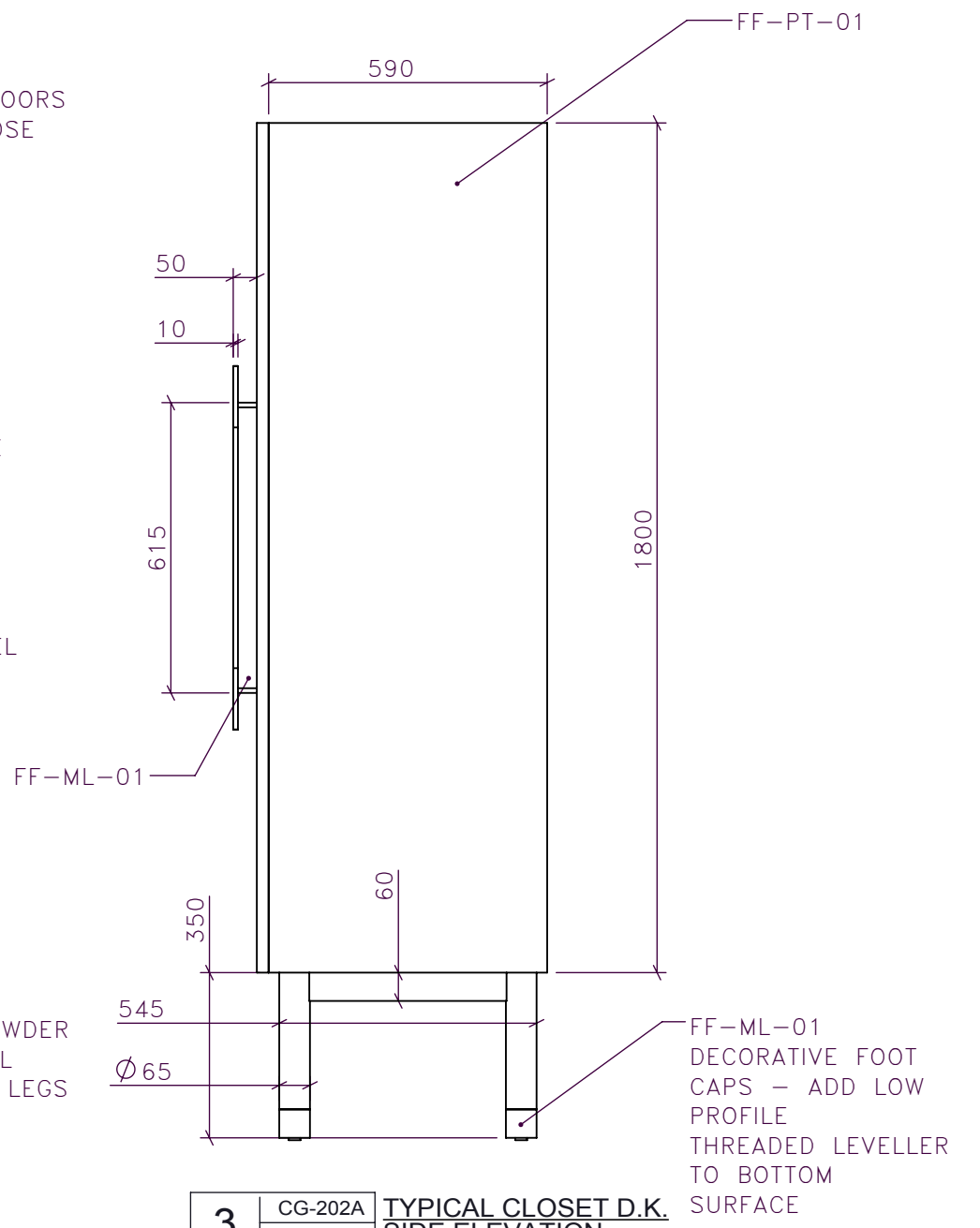
-REV/	-ISSUED FOR	-DATE



1 CG-202A
1:15 TYPICAL CLOSET D.K.
PLAN



2 CG-202A
1:15 TYPICAL CLOSET D.K.
FRONT ELEVATION



3 CG-202A
1:15 TYPICAL CLOSET D.K.
SIDE ELEVATION

STUDIO MUNGE
25 WINGOLD AVENUE
TORONTO, ONTARIO
M6B 1P8 CANADA
416.588.1668
STUDIOMUNGE.COM

-SCALE
AS NOTED

-DATE
4/20/17

-DRAWN BY
AM

-CHECKED BY

-PROJECT NAME

BISHA HOTEL

-DRAWING TITLE

CG-202A
TYPICAL CLOSET D.K.

-PROJECT NUMBER
28104

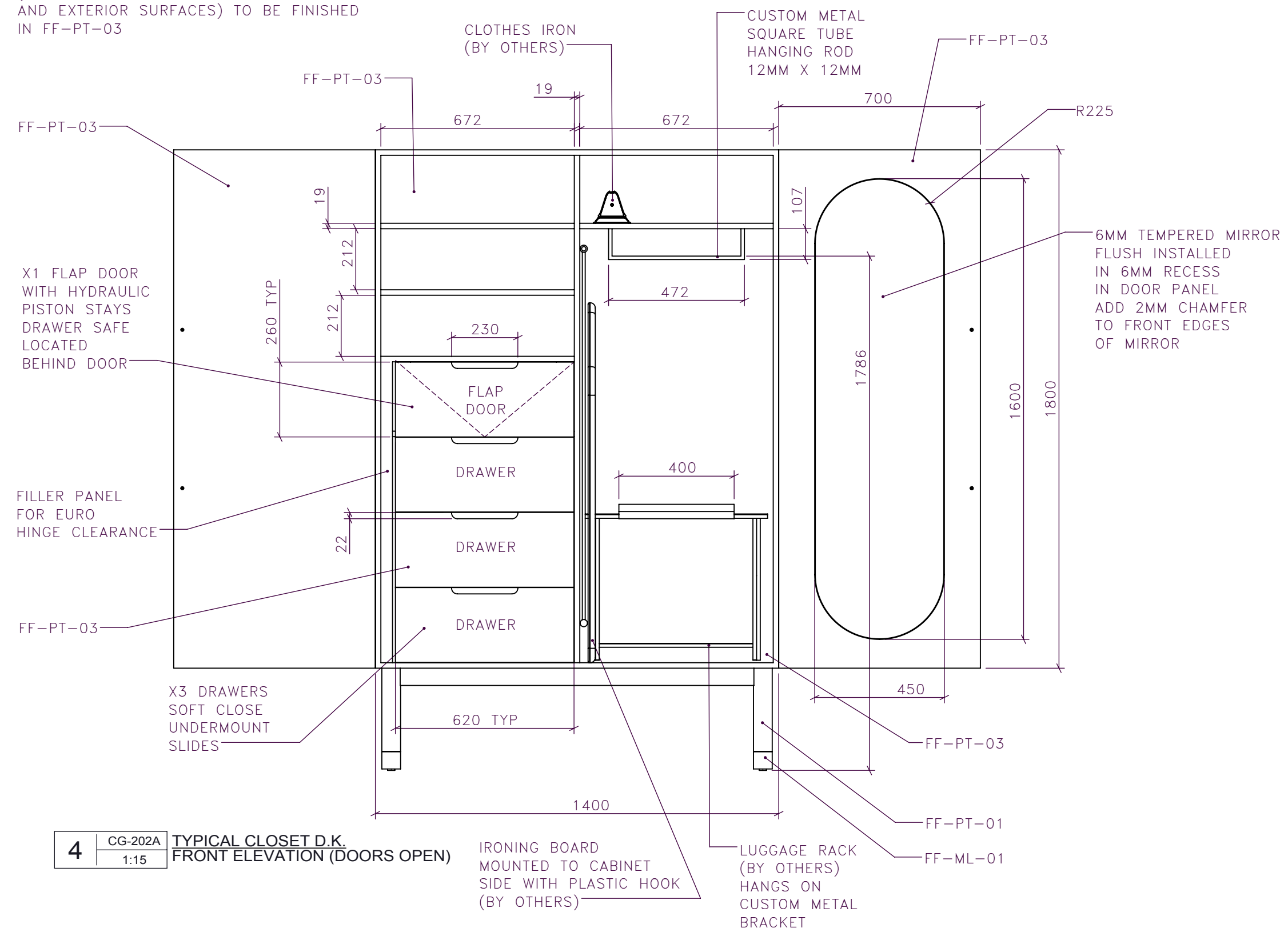
-DRAWING NUMBER
1 / 5

DRAWING ARE NOT TO BE SCALED. CONTRACTOR MUST CHECK AND VERIFY ALL JOB DIMENSIONS, DRAWINGS, DETAILS AND SPECIFICATIONS, AND REPORT ANY DISCREPANCIES TO DESIGNER BEFORE PROCEEDING WITH WORK.

-REV/	-ISSUED FOR	-DATE

ALL INTERIOR SURFACES (INCLUDING DRAWER BOX INTERIOR AND EXTERIOR SURFACES) TO BE FINISHED IN FF-PT-03

INTERIOR OPTION 2



4	CG-202A	TYPICAL CLOSET D.K. FRONT ELEVATION (DOORS OPEN)
	1:15	

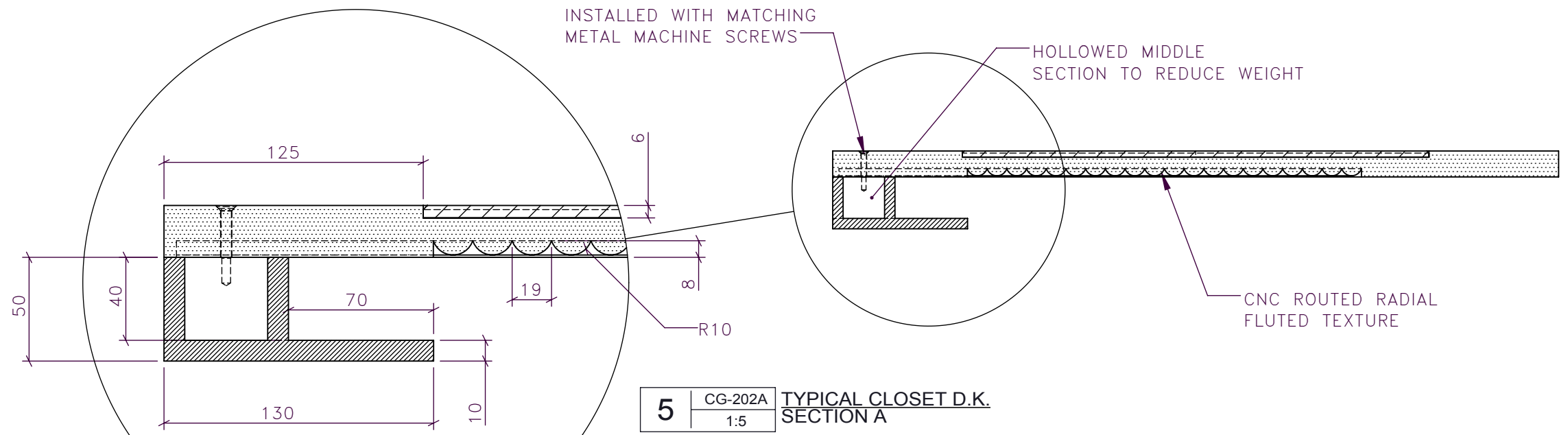
STUDIO MUNGE
 25 WINGOLD AVENUE
 TORONTO, ONTARIO
 M6B 1P8 CANADA
 416.588.1668
 STUDIOMUNGE.COM

-SCALE AS NOTED	-DATE 4/20/17
-DRAWN BY AM	-CHECKED BY
-PROJECT NAME BISHA HOTEL	
-DRAWING TITLE CG-202A TYPICAL CLOSET D.K.	
-PROJECT NUMBER 28104	
-DRAWING NUMBER 2 / 5	

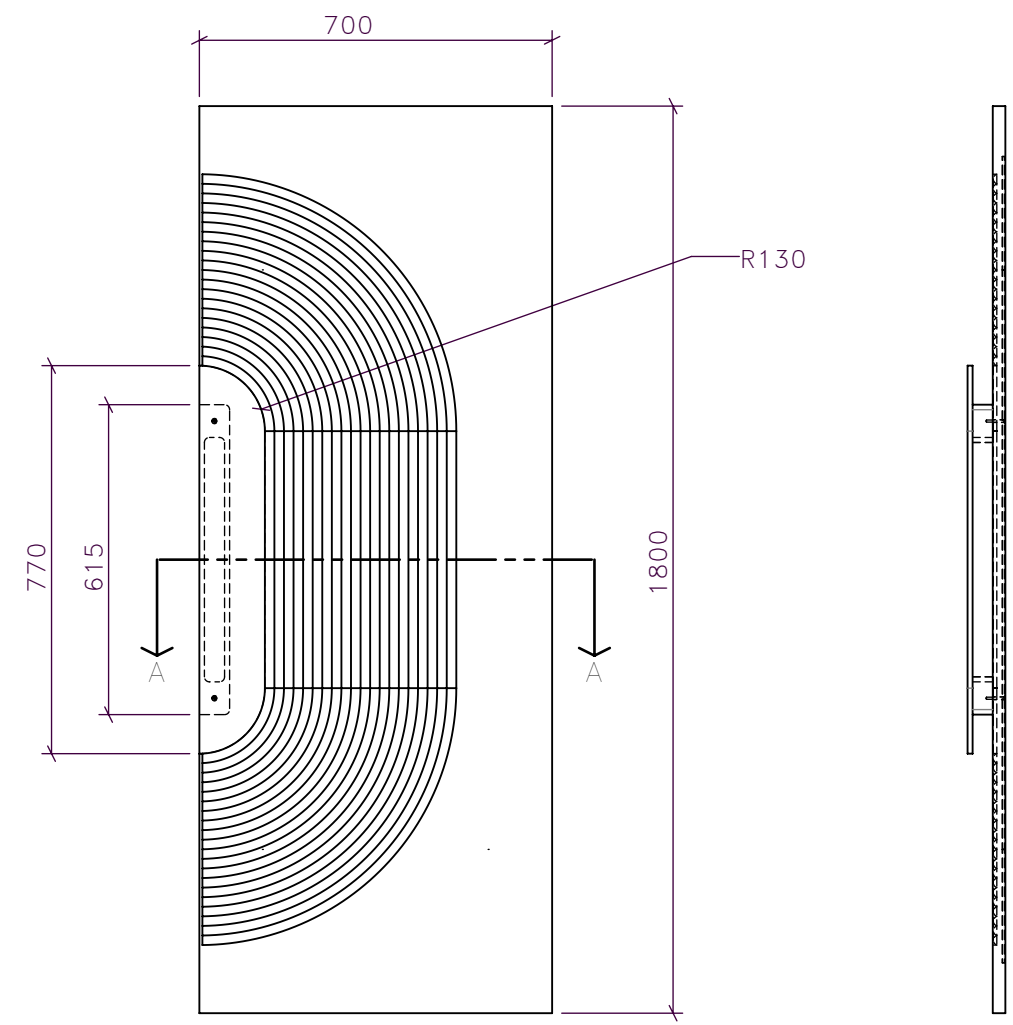
STUDIO MUNGE

DRAWING ARE NOT TO BE SCALED. CONTRACTOR MUST CHECK AND VERIFY ALL JOB DIMENSIONS, DRAWINGS, DETAILS AND SPECIFICATIONS; AND REPORT ANY DISCREPANCIES TO DESIGNER BEFORE PROCEEDING WITH WORK.

REV	ISSUED FOR	DATE



5 CG-202A 1:5 TYPICAL CLOSET D.K. SECTION A



6 CG-202A 1:15 TYPICAL CLOSET D.K. FRONT ELEVATION (DOOR ONLY)

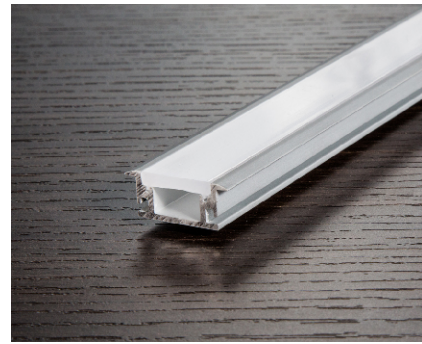
7 CG-202A 1:15 TYPICAL CLOSET D.K. SIDE ELEVATION (DOOR ONLY)

STUDIO MUNGE
 25 WINGOLD AVENUE
 TORONTO, ONTARIO
 M6B 1P8 CANADA
 416.588.1668
 STUDIOMUNGE.COM

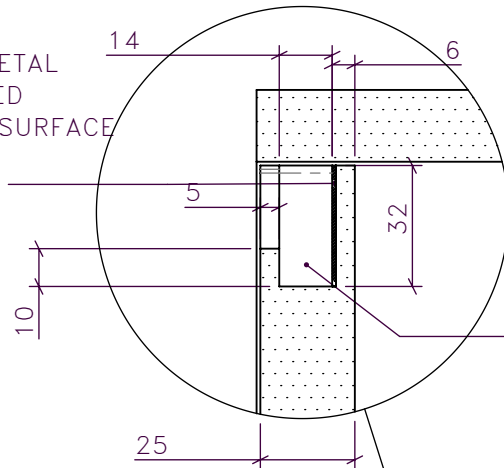
-SCALE	AS NOTED	-DATE	4/20/17
-DRAWN BY	AM	-CHECKED BY	
-PROJECT NAME	BISHA HOTEL		
-DRAWING TITLE	CG-202A TYPICAL CLOSET D.K.		
-PROJECT NUMBER	28104		
-DRAWING NUMBER	3 / 5		

STUDIO MUNGE

REFERENCE IMAGE A

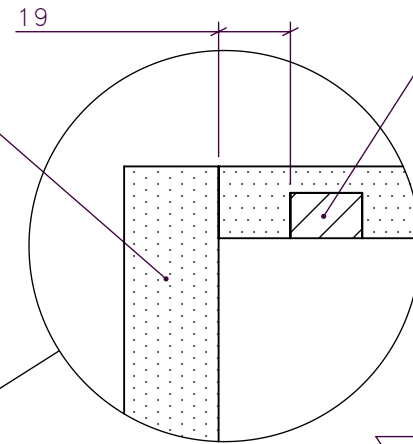


PLATED METAL TRIM GLUED TO REAR SURFACE OF PULL FF-ML-01



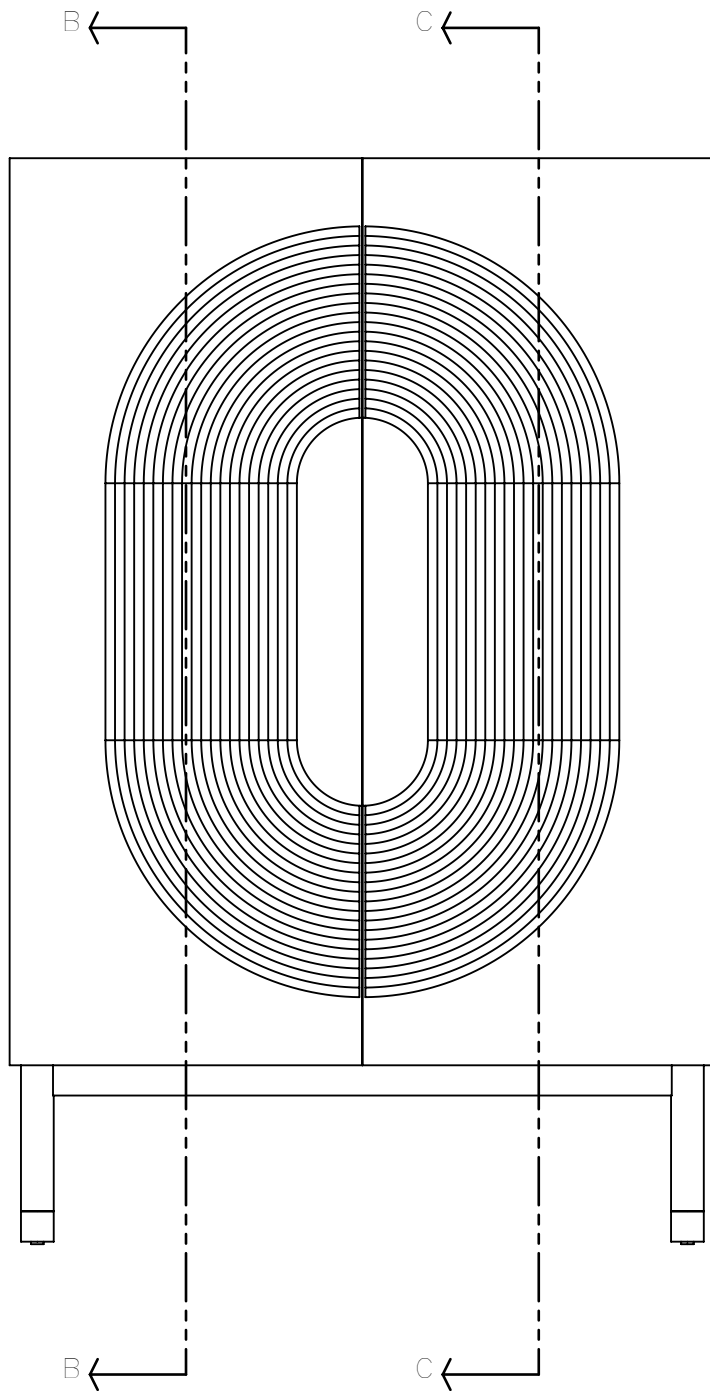
DOOR PANEL

ROUTED INTEGRAL DRAWER PULL

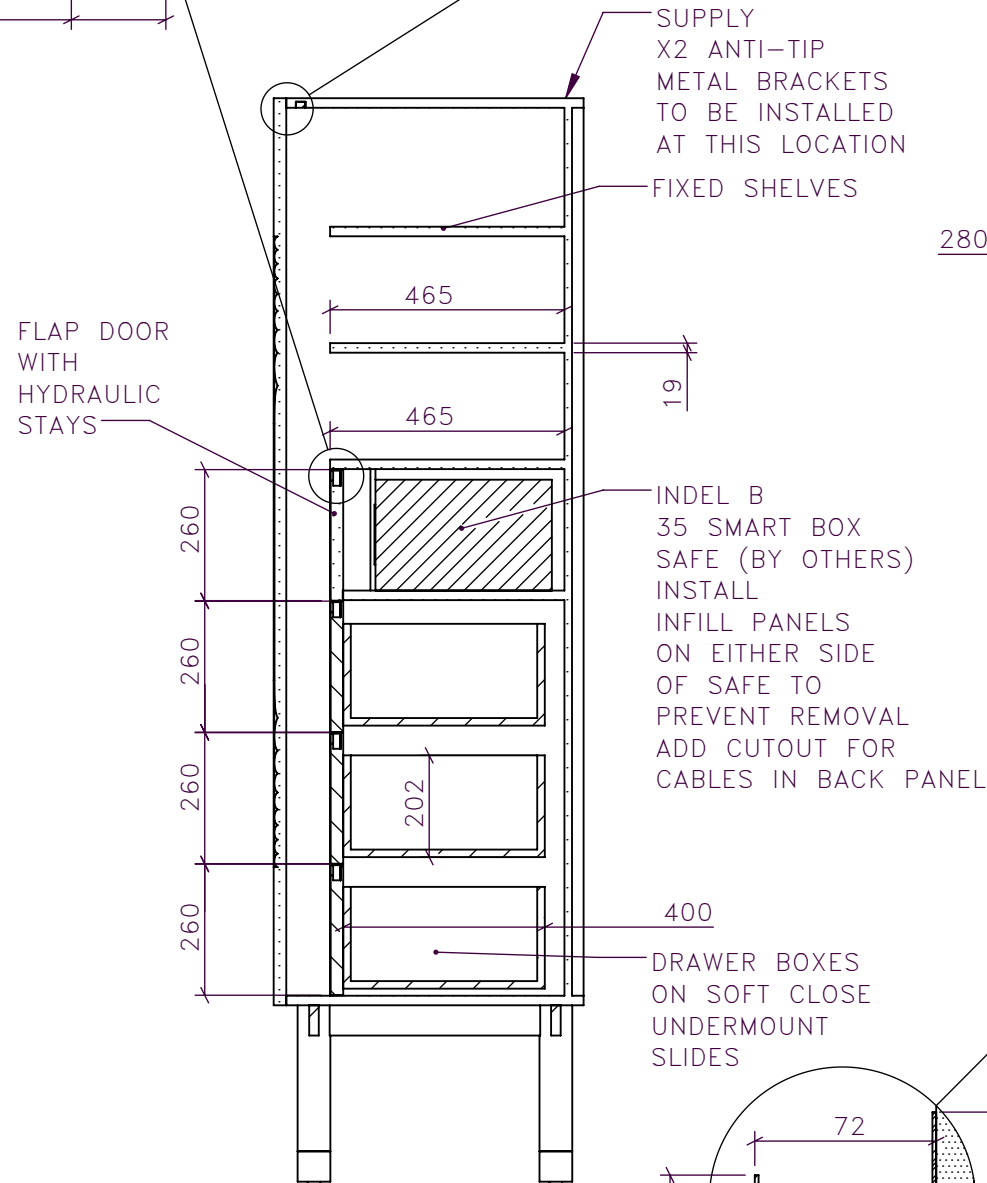


LED STRIP LIGHT IN ALUMINUM C CHANNEL WITH FROSTED DIFFUSER AS PER REFERENCE IMAGE A - FLUSH INSTALLATION ROUT WIRING TO TOP OF CABINET TO CONCEAL INCORPORATE PHOTOSENSOR TO ACTIVATE LED ON DOOR OPENING

LED RUNS ACROSS FULL WIDTH OF CABINET



8 CG-202A 1:15 TYPICAL CLOSET D.K. FRONT ELEVATION



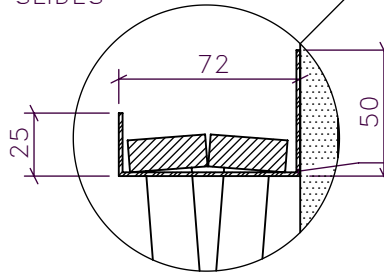
SUPPLY X2 ANTI-TIP METAL BRACKETS TO BE INSTALLED AT THIS LOCATION

FIXED SHELVES

FLAP DOOR WITH HYDRAULIC STAYS

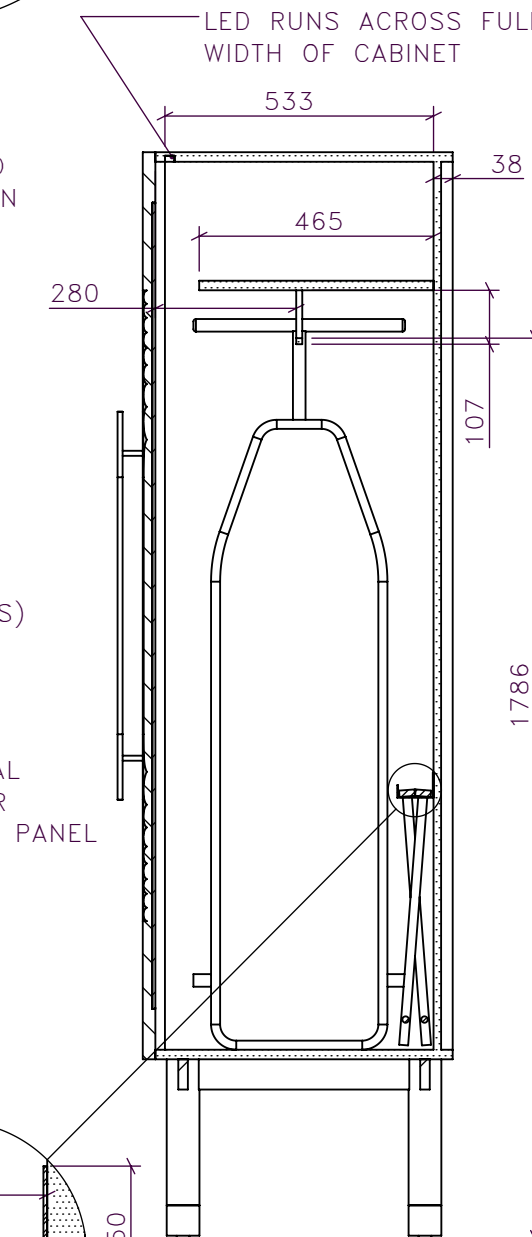
INDEL B 35 SMART BOX SAFE (BY OTHERS) INSTALL INFILL PANELS ON EITHER SIDE OF SAFE TO PREVENT REMOVAL ADD CUTOUT FOR CABLES IN BACK PANEL

DRAWER BOXES ON SOFT CLOSE UNDERMOUNT SLIDES



CUSTOM SHEET METAL HANGER FOR LUGGAGE RACK FF-ML-01

9 CG-202A 1:15 TYPICAL CLOSET D.K. SECTION B



10 CG-202A 1:15 TYPICAL CLOSET D.K. SECTION C

DRAWING ARE NOT TO BE SCALED. CONTRACTOR MUST CHECK AND VERIFY ALL JOB DIMENSIONS, DRAWINGS, DETAILS AND SPECIFICATIONS; AND REPORT ANY DISCREPANCIES TO DESIGNER BEFORE PROCEEDING WITH WORK.

-REV/	-ISSUED FOR	-DATE

STUDIO MUNGE
 25 WINGOLD AVENUE
 TORONTO, ONTARIO
 M6B 1P8 CANADA
 416.588.1668
 STUDIOMUNGE.COM

-SCALE AS NOTED -DATE 4/20/17

-DRAWN BY AM -CHECKED BY

-PROJECT NAME

BISHA HOTEL

-DRAWING TITLE

CG-202A TYPICAL CLOSET D.K.

-PROJECT NUMBER 28104

-DRAWING NUMBER 4 / 5

STUDIO MUNGE
Y
E
M
D
C
B
A
Y



DRAWING ARE NOT TO BE SCALED. CONTRACTOR MUST CHECK AND VERIFY ALL JOB DIMENSIONS, DRAWINGS, DETAILS AND SPECIFICATIONS; AND REPORT ANY DISCREPANCIES TO DESIGNER BEFORE PROCEEDING WITH WORK.

-REV/	-ISSUED FOR	-DATE

**STUDIO
MUNGE**
25 WINGOLD AVENUE
TORONTO, ONTARIO
M6B 1P8 CANADA
416.588.1668
STUDIOMUNGE.COM

-SCALE
AS NOTED

-DATE
4/20/17

-DRAWN BY
AM

-CHECKED BY

-PROJECT NAME

BISHA HOTEL

-DRAWING TITLE

CG-202A
TYPICAL CLOSET D.K.

-PROJECT NUMBER
28104

-DRAWING NUMBER
5 / 5

11 | CG-202A | TYPICAL CLOSET D.K.
NTS | RENDERED VIEW