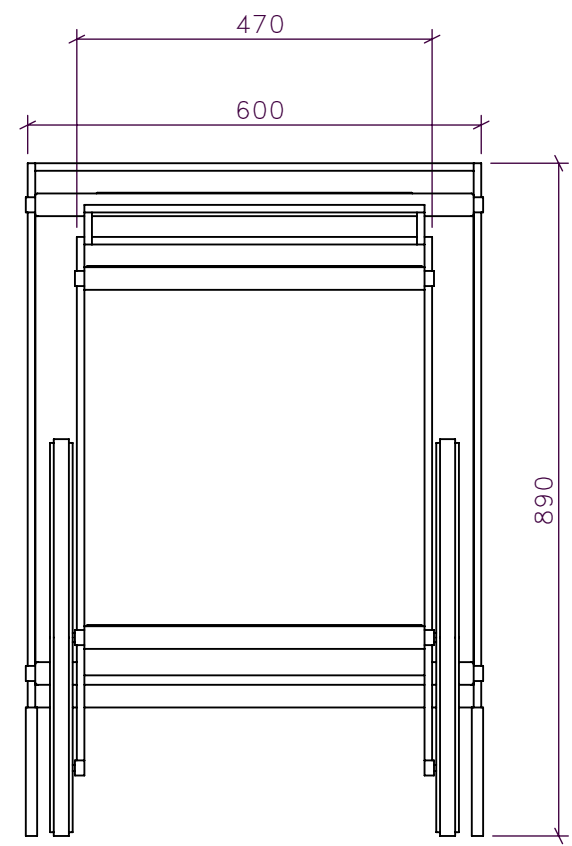
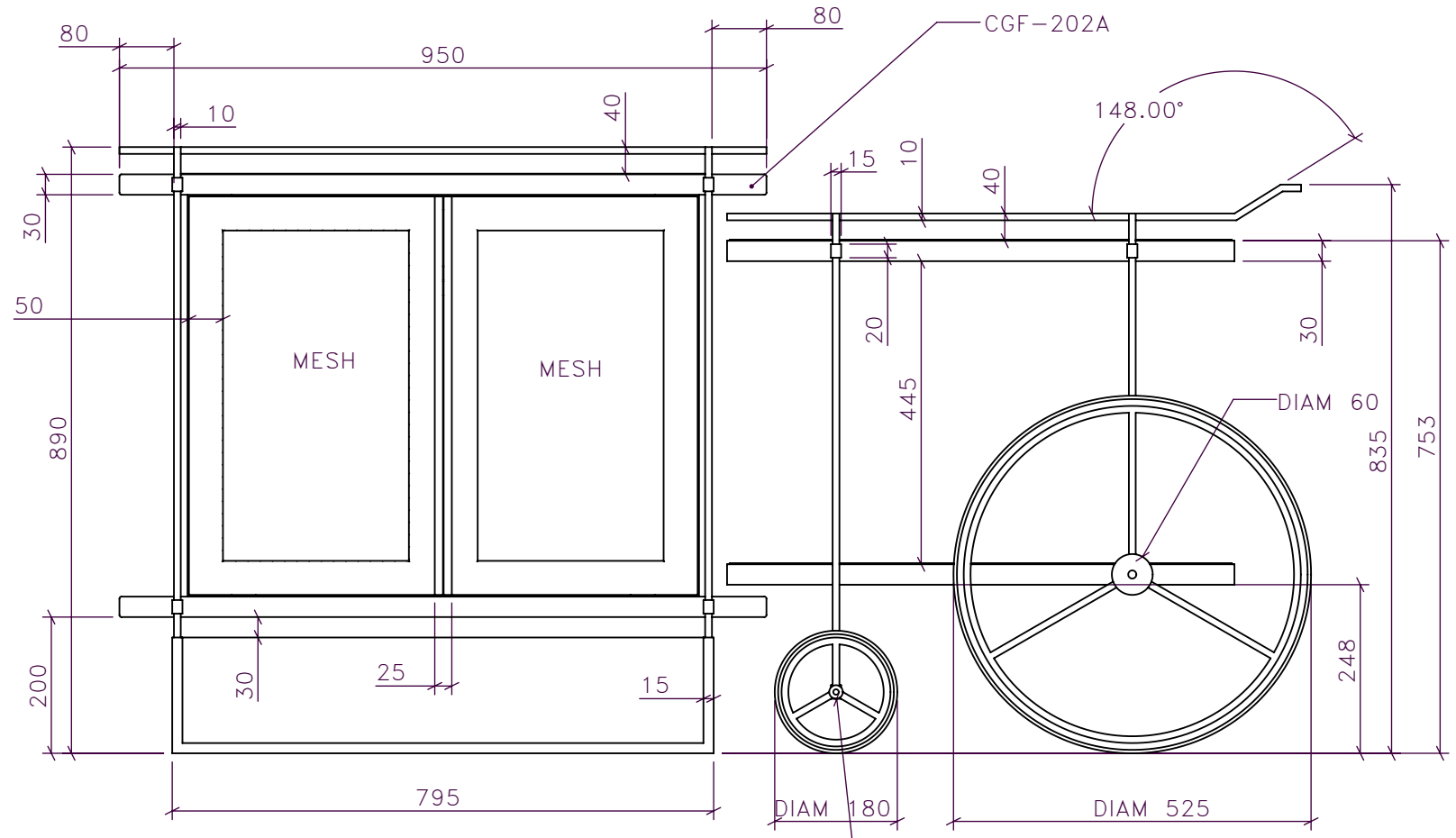


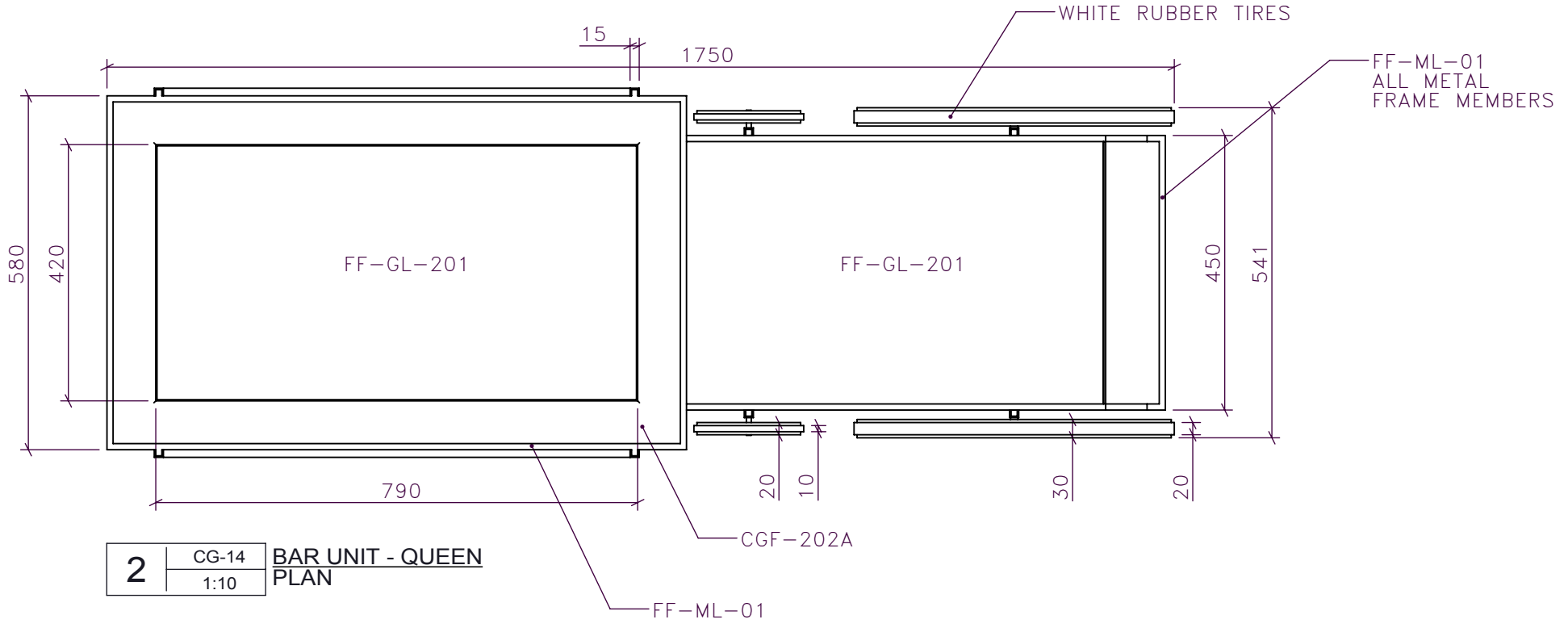
DRAWING ARE NOT TO BE SCALED. CONTRACTOR MUST CHECK AND VERIFY ALL JOB DIMENSIONS, DRAWINGS, DETAILS AND SPECIFICATIONS, AND REPORT ANY DISCREPANCIES TO DESIGNER BEFORE PROCEEDING WITH WORK.

-REV/	-ISSUED FOR	-DATE



1 CG-14 1:10 **BAR UNIT - QUEEN FRONT ELEVATION**

3 CG-14 1:10 **BAR UNIT - QUEEN SIDE ELEVATION**



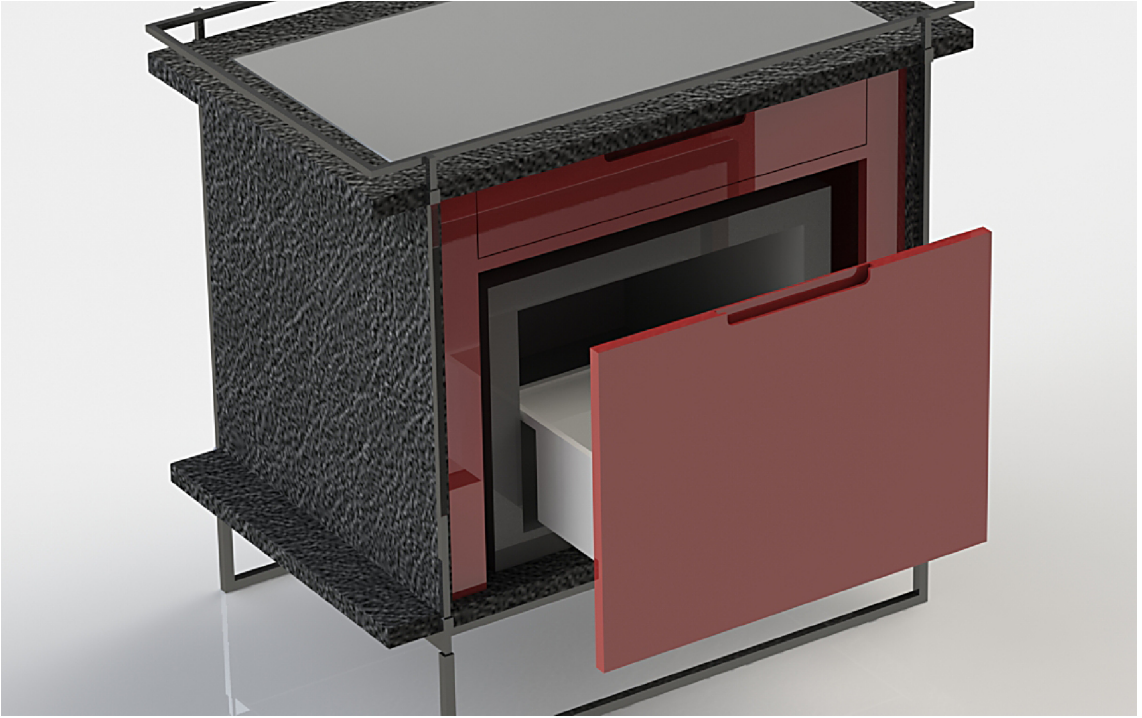
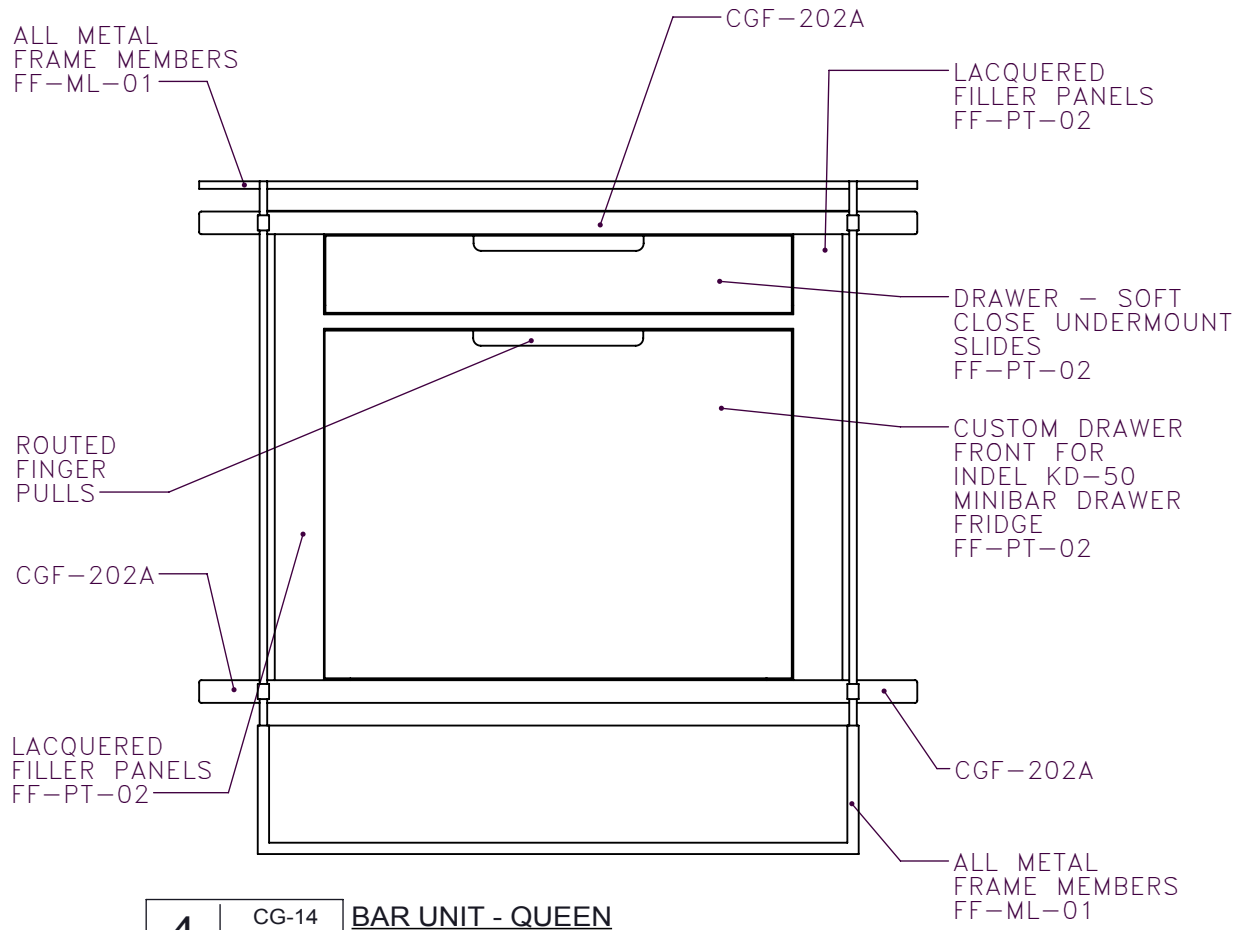
2 CG-14 1:10 **BAR UNIT - QUEEN PLAN**

-SCALE AS NOTED	-DATE 2/1/17
-DRAWN BY AM	-CHECKED BY
-PROJECT NAME BISHA HOTEL	
-DRAWING TITLE CG-14 BAR UNIT - QUEEN	
-PROJECT NUMBER 28104	
-DRAWING NUMBER 1 / 6	

STUDIO MUNGE

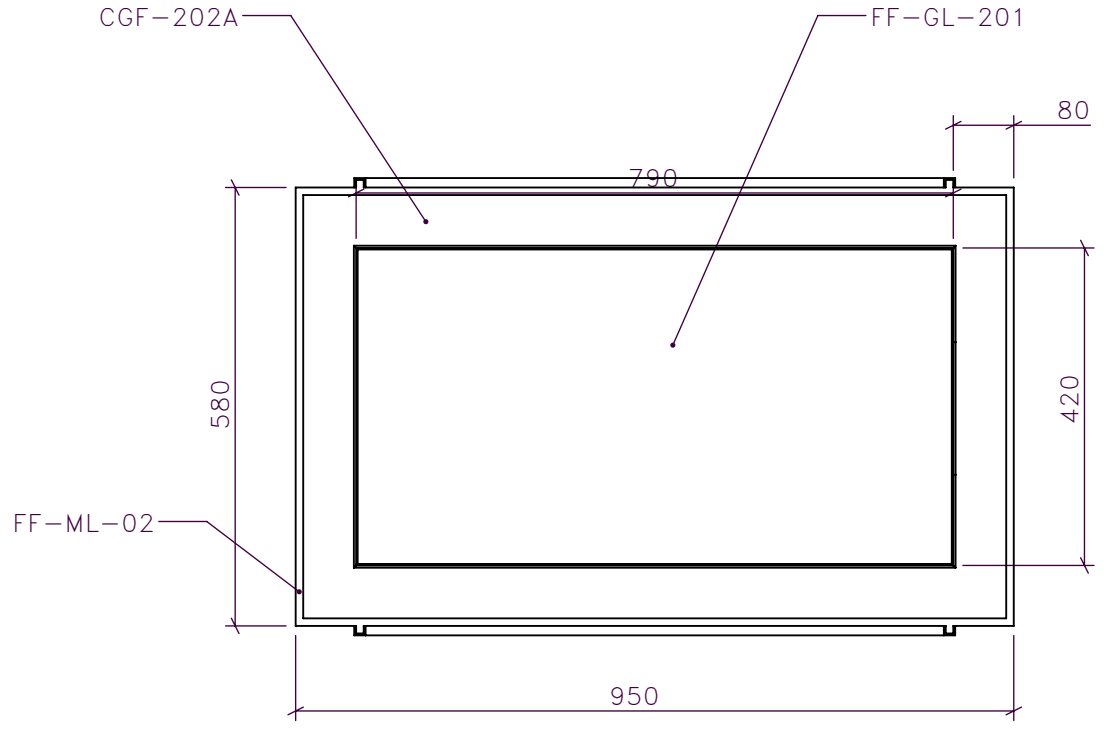
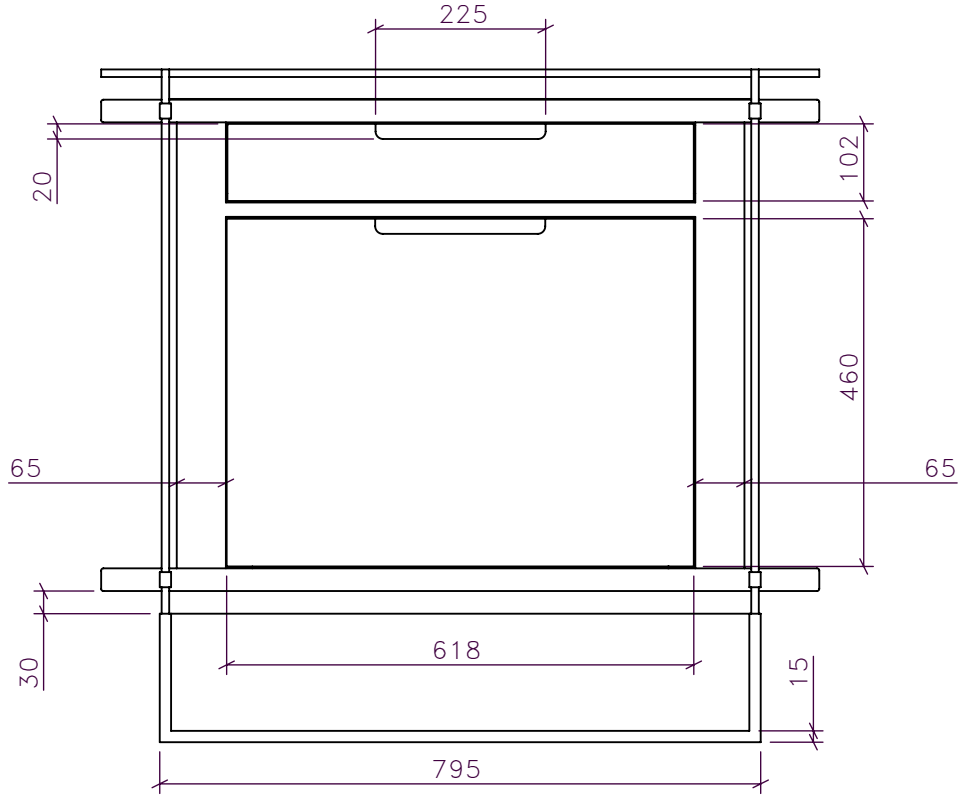
DRAWING ARE NOT TO BE SCALED. CONTRACTOR MUST CHECK AND VERIFY ALL JOB DIMENSIONS, DRAWINGS, DETAILS AND SPECIFICATIONS; AND REPORT ANY DISCREPANCIES TO DESIGNER BEFORE PROCEEDING WITH WORK.

-REV/	-ISSUED FOR	-DATE



4 CG-14 1:10 **BAR UNIT - QUEEN FRONT ELEVATION - DOORS REMOVED**

6 CG-14 NTS **BAR UNIT - QUEEN RENDERED VIEW**



5 CG-14 1:10 **BAR UNIT - QUEEN FRONT ELEVATION - DOORS REMOVED**

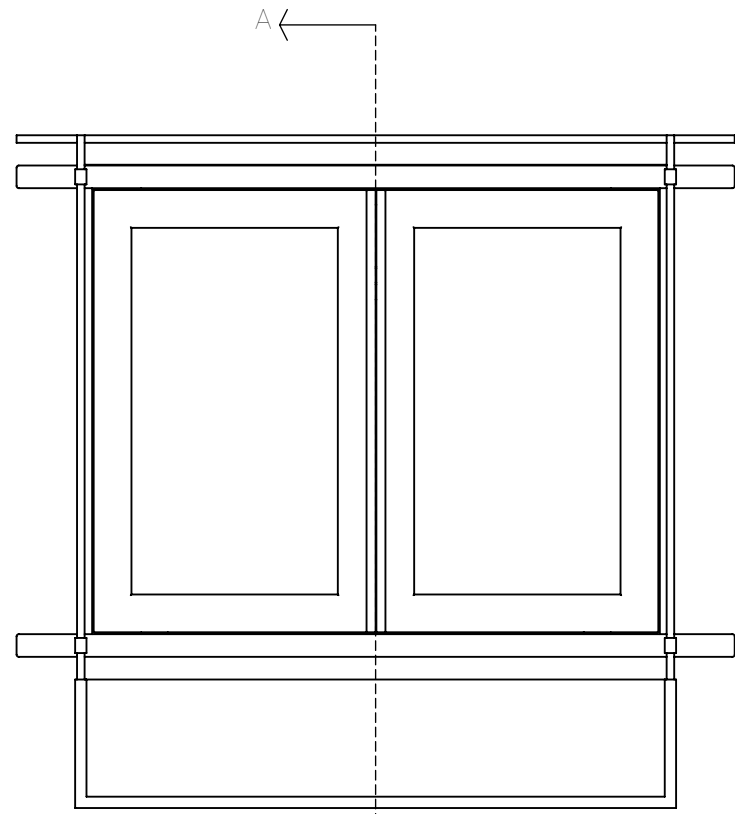
7 CG-14 1:10 **BAR UNIT - QUEEN PLAN - NO CART**

STUDIO MUNGE
 25 WINGOLD AVENUE
 TORONTO, ONTARIO
 M6B 1P8 CANADA
 416.588.1668
 STUDIOMUNGE.COM

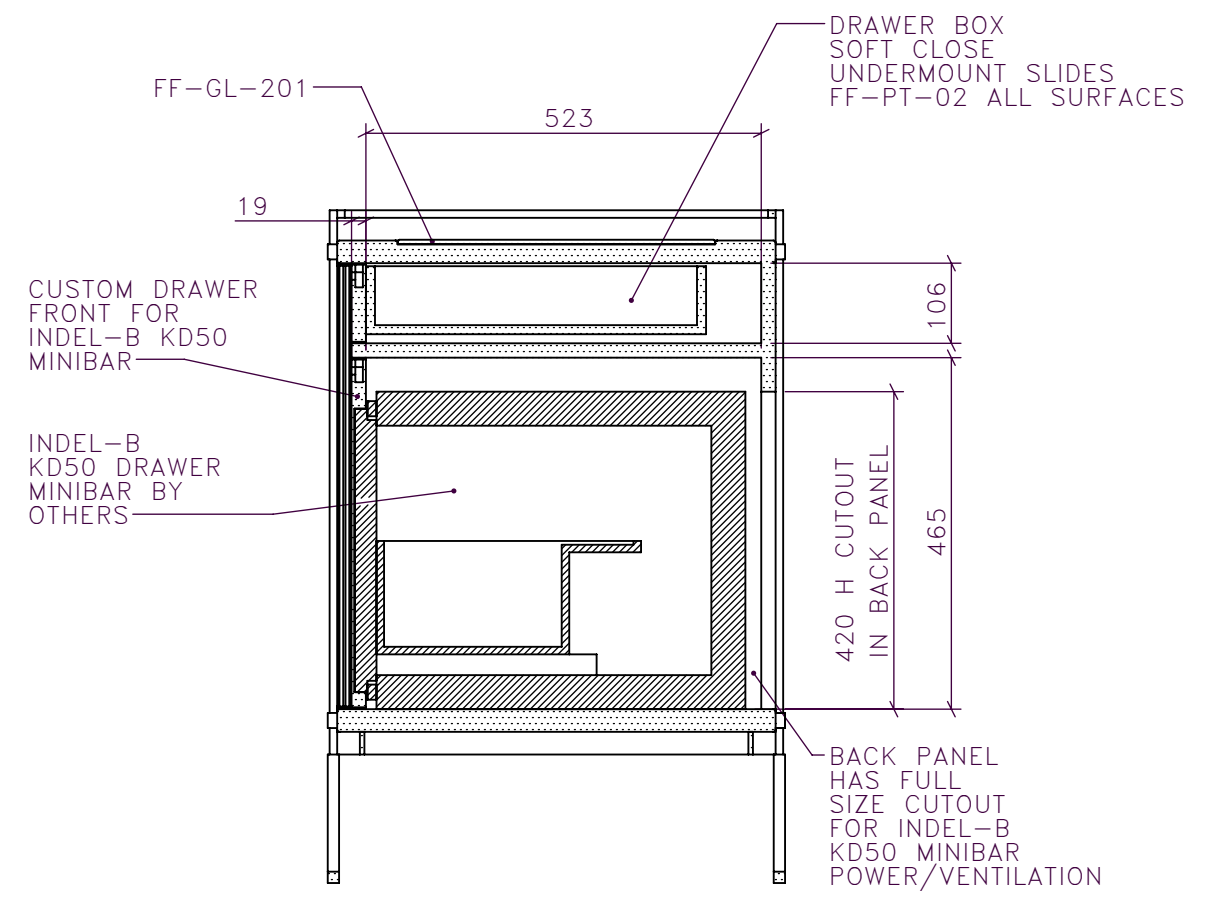
-SCALE AS NOTED	-DATE 2/1/17
-DRAWN BY AM	-CHECKED BY
-PROJECT NAME BISHA HOTEL	
-DRAWING TITLE CG-14 BAR UNIT - QUEEN	
-PROJECT NUMBER 28104	
-DRAWING NUMBER 2 / 6	

DRAWING ARE NOT TO BE SCALED. CONTRACTOR MUST CHECK AND VERIFY ALL JOB DIMENSIONS, DRAWINGS, DETAILS AND SPECIFICATIONS, AND REPORT ANY DISCREPANCIES TO DESIGNER BEFORE PROCEEDING WITH WORK.

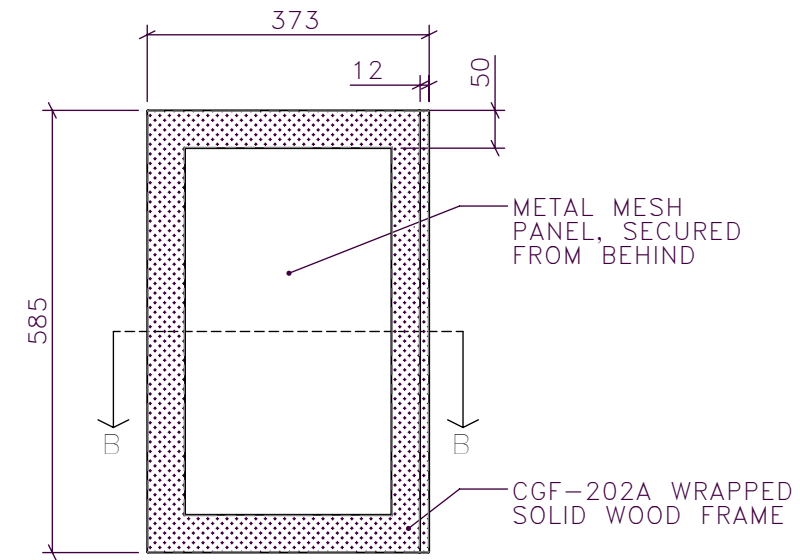
-REV/	-ISSUED FOR	-DATE



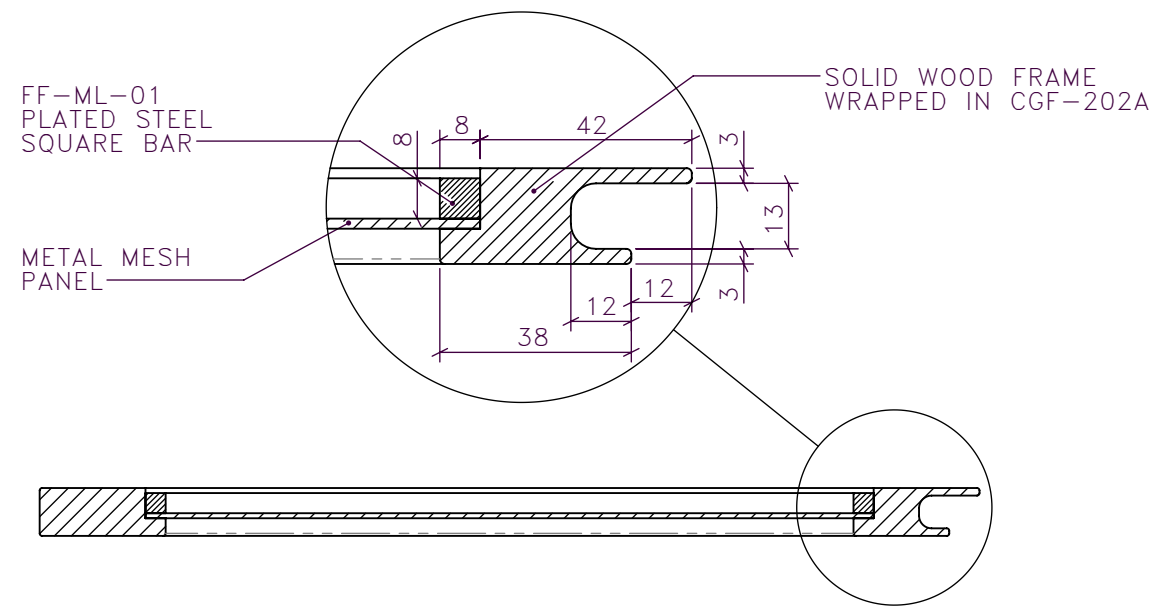
8 CG-14 1:10 **BAR UNIT - QUEEN FRONT ELEVATION - CART REMOVED**



10 CG-14 1:10 **BAR UNIT - QUEEN SECTION A**



9 CG-14 1:10 **BAR UNIT - QUEEN DOOR PANEL - FRONT ELEVATION**



11 CG-14 1:3 **BAR UNIT - QUEEN SECTION B**

STUDIO MUNGE
 25 WINGOLD AVENUE
 TORONTO, ONTARIO
 M6B 1P8 CANADA
 416.588.1668
 STUDIOMUNGE.COM

-SCALE AS NOTED **-DATE** 2/1/17

-DRAWN BY AM **-CHECKED BY**

-PROJECT NAME

BISHA HOTEL

-DRAWING TITLE

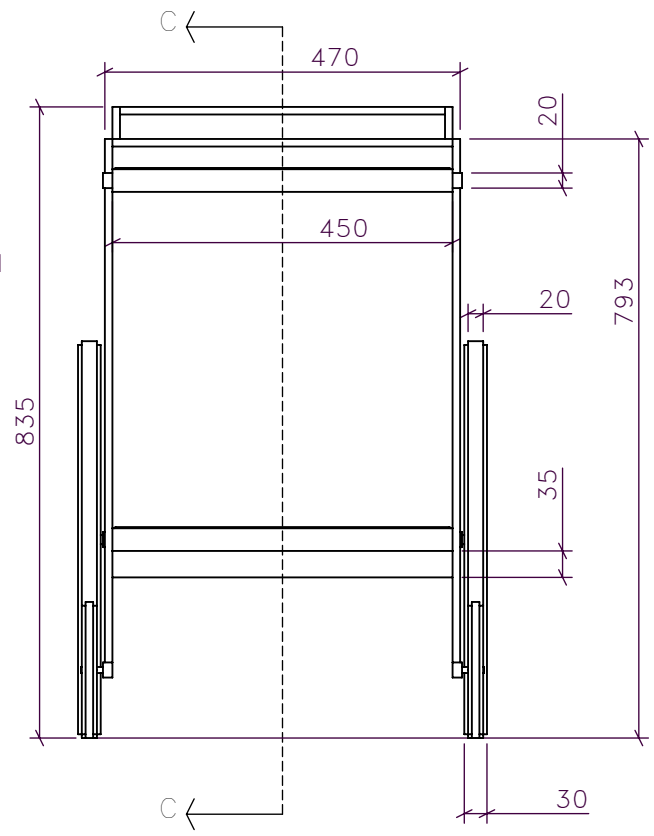
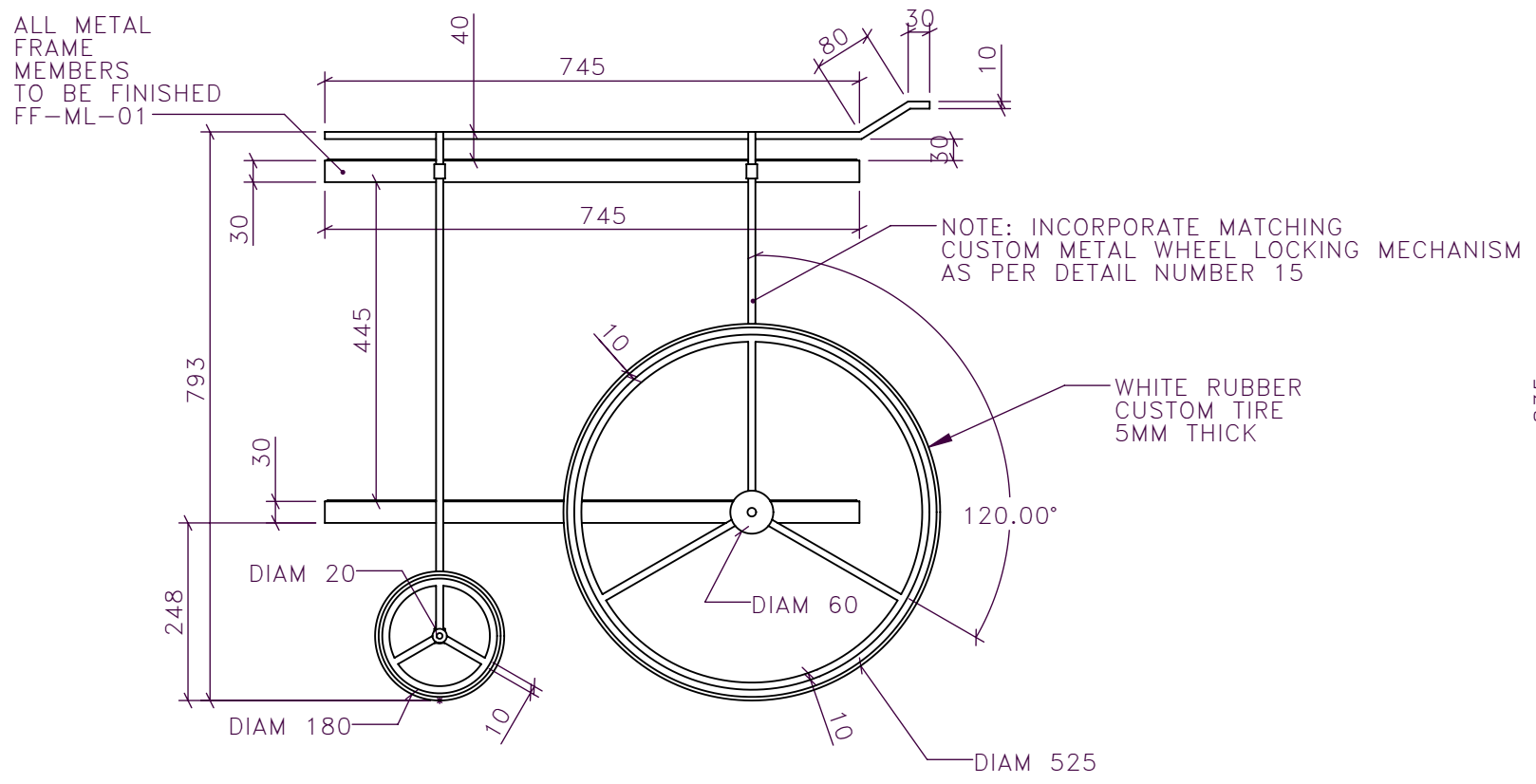
CG-14
 BAR UNIT - QUEEN

-PROJECT NUMBER
 28104

-DRAWING NUMBER
 3 / 6

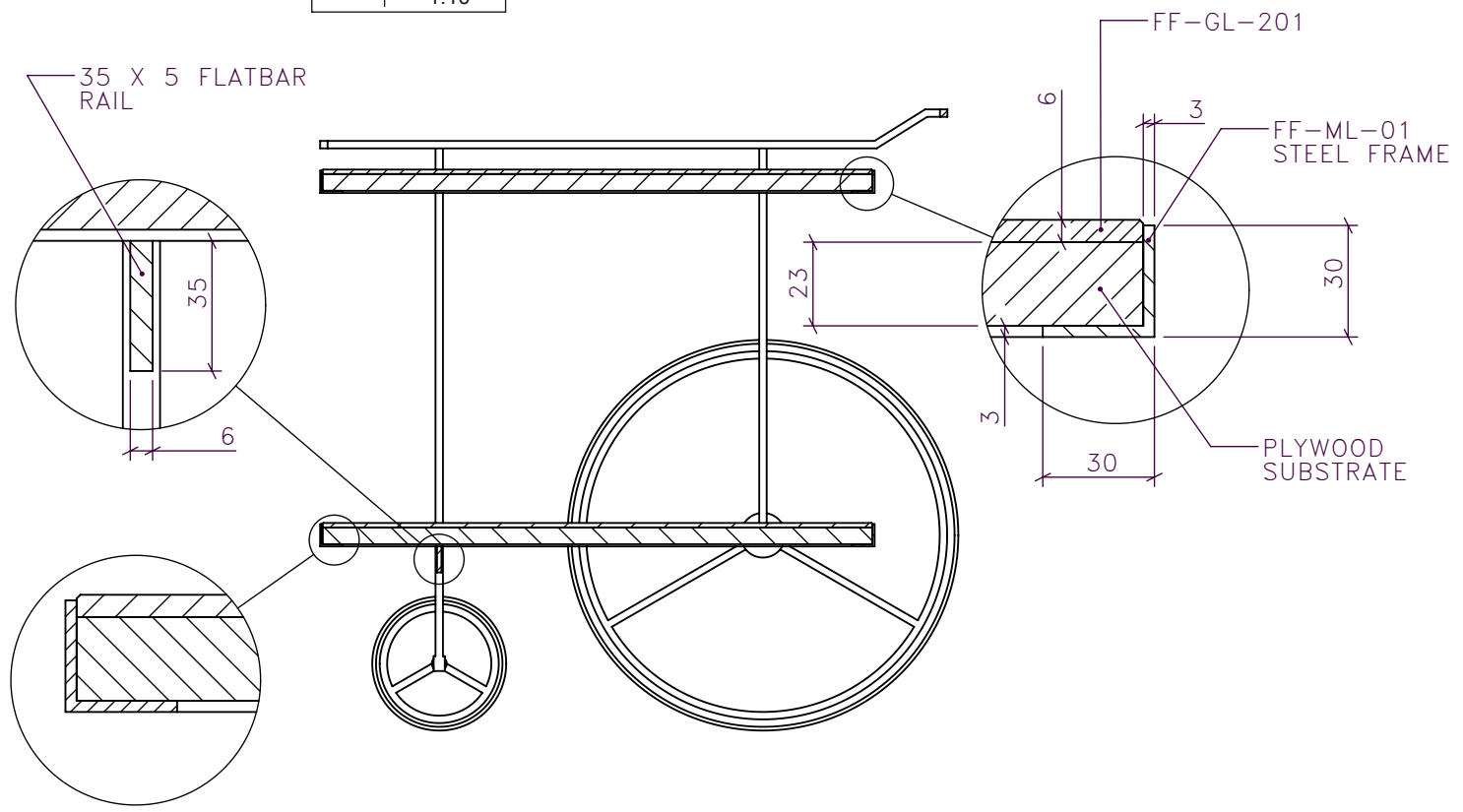
DRAWING ARE NOT TO BE SCALED. CONTRACTOR MUST CHECK AND VERIFY ALL JOB DIMENSIONS, DRAWINGS, DETAILS AND SPECIFICATIONS; AND REPORT ANY DISCREPANCIES TO DESIGNER BEFORE PROCEEDING WITH WORK.

-REV/	-ISSUED FOR	-DATE



12 CG-14 BAR UNIT - QUEEN
1:10 FRONT ELEVATION - CASE REMOVED

14 CG-14 BAR UNIT - QUEEN
1:10 SIDE ELEVATION - CASE REMOVED



13 CG-14 BAR UNIT - QUEEN
1:10 SECTION C



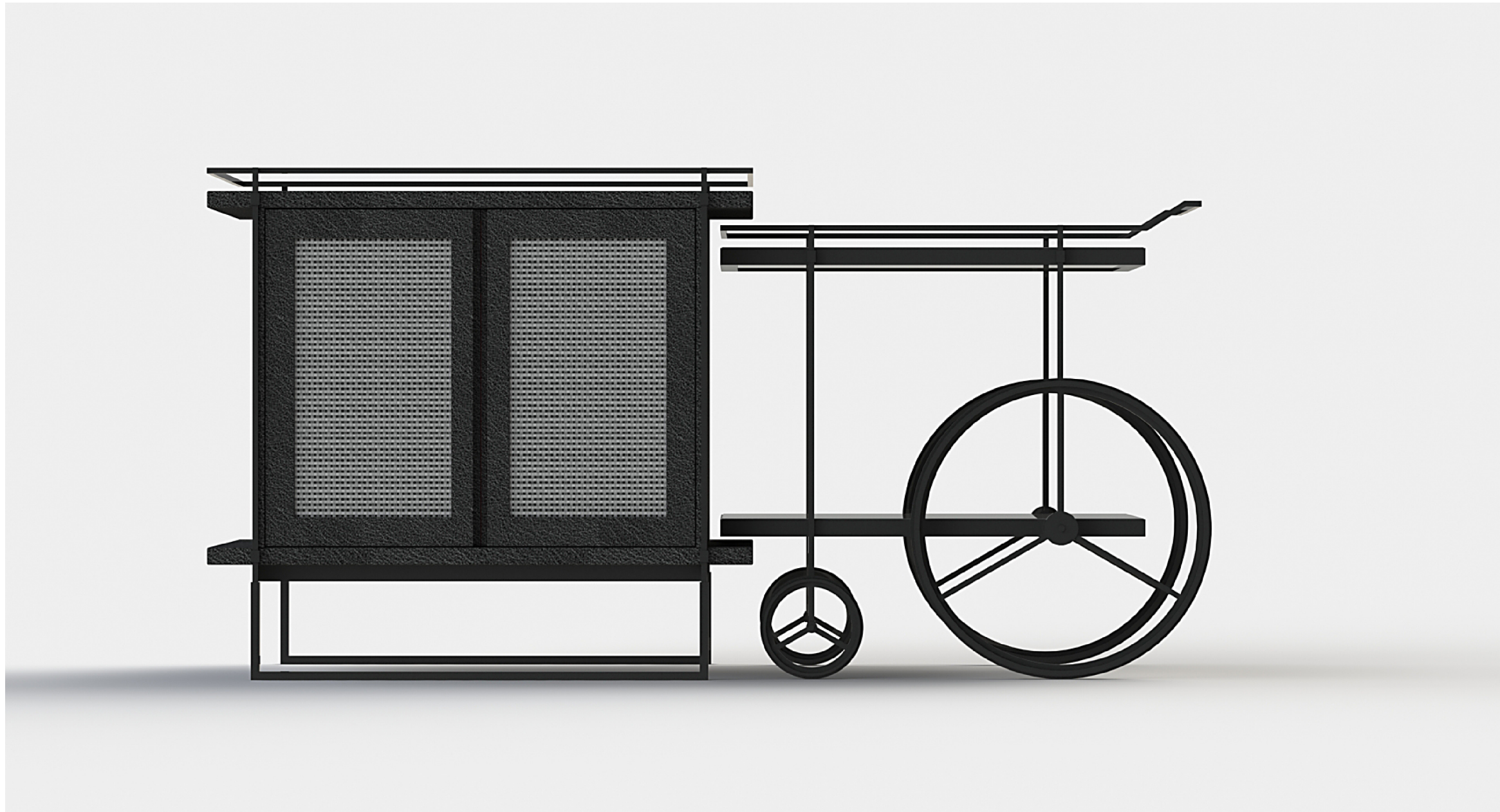
15 CG-14 BAR UNIT - QUEEN
NTS REFERENCE IMAGE - WHEEL LOCK

STUDIO MUNGE
25 WINGOLD AVENUE
TORONTO, ONTARIO
M6B 1P8 CANADA
416.588.1668
STUDIOMUNGE.COM

-SCALE AS NOTED	-DATE 2/1/17
-DRAWN BY AM	-CHECKED BY
-PROJECT NAME BISHA HOTEL	
-DRAWING TITLE CG-14 BAR UNIT - QUEEN	
-PROJECT NUMBER 28104	
-DRAWING NUMBER 4 / 6	

DRAWING ARE NOT TO BE SCALED. CONTRACTOR MUST CHECK AND VERIFY ALL JOB DIMENSIONS, DRAWINGS, DETAILS AND SPECIFICATIONS; AND REPORT ANY DISCREPANCIES TO DESIGNER BEFORE PROCEEDING WITH WORK.

-REV/	-ISSUED FOR	-DATE



**STUDIO
MUNGE**

25 WINGOLD AVENUE
TORONTO, ONTARIO
M6B 1P8 CANADA
416.588.1668
STUDIOMUNGE.COM

-SCALE
AS NOTED

-DATE
2/1/17

-DRAWN BY
AM

-CHECKED BY

-PROJECT NAME

BISHA HOTEL

-DRAWING TITLE

CG-14
BAR UNIT - QUEEN

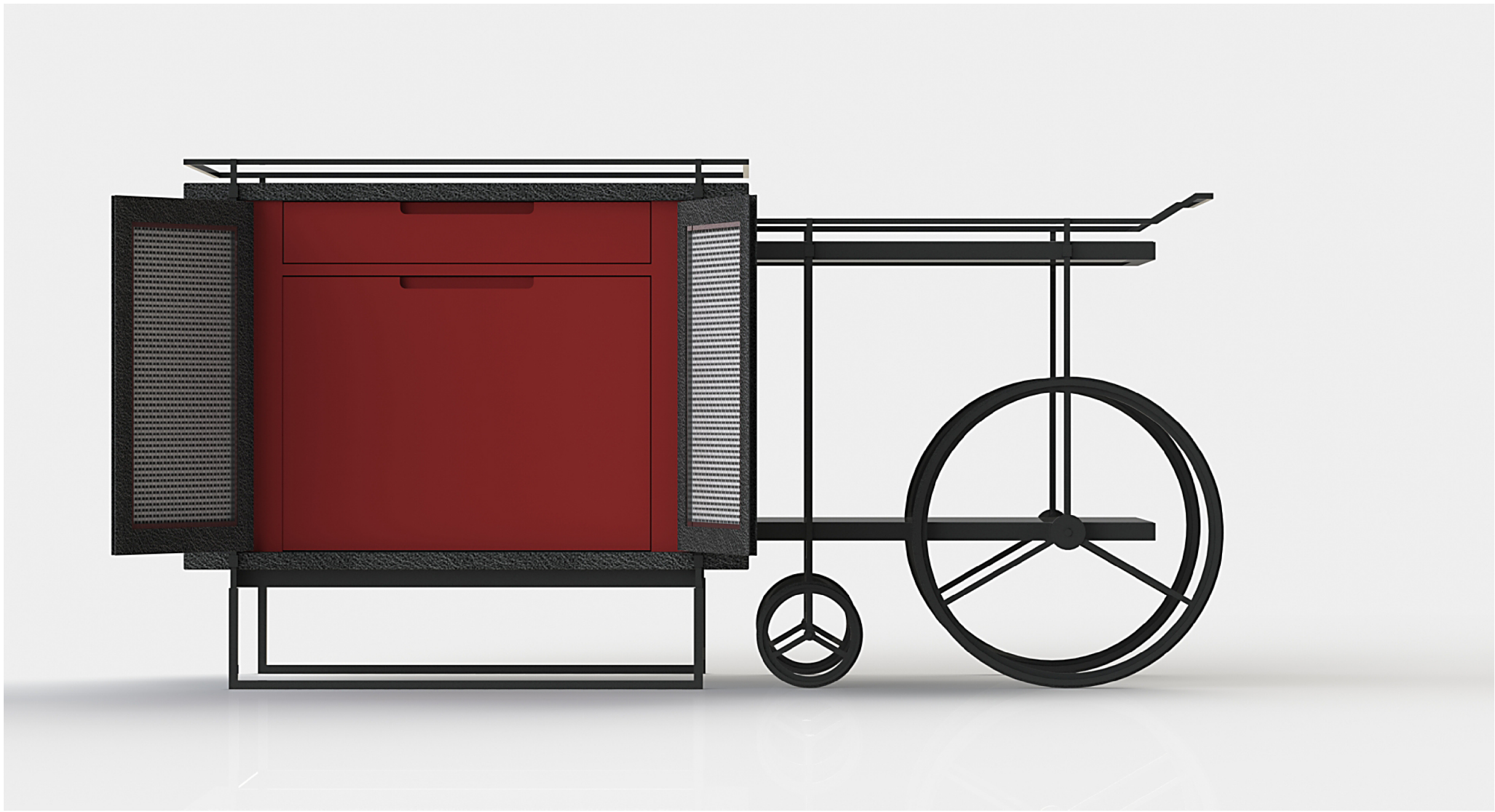
-PROJECT NUMBER
28104

-DRAWING NUMBER
5 / 6

16 CG-14 BAR UNIT - QUEEN
NTS RENDERED VIEW

DRAWING ARE NOT TO BE SCALED. CONTRACTOR MUST CHECK AND VERIFY ALL JOB DIMENSIONS, DRAWINGS, DETAILS AND SPECIFICATIONS; AND REPORT ANY DISCREPANCIES TO DESIGNER BEFORE PROCEEDING WITH WORK.

-REV/	-ISSUED FOR	-DATE



STUDIO MUNGE
 25 WINGOLD AVENUE
 TORONTO, ONTARIO
 M6B 1P8 CANADA
 416.588.1668
 STUDIOMUNGE.COM

-SCALE
AS NOTED

-DATE
2/1/17

-DRAWN BY
AM

-CHECKED BY

-PROJECT NAME

BISHA HOTEL

-DRAWING TITLE

CG-14
BAR UNIT - QUEEN

-PROJECT NUMBER
28104

-DRAWING NUMBER
6 / 6

17 CG-14 BAR UNIT - QUEEN
 NTS RENDERED VIEW