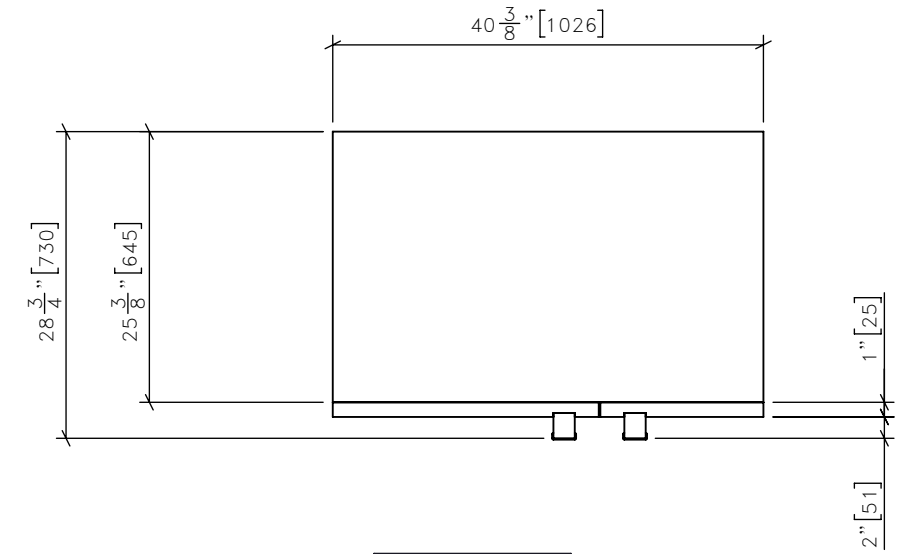
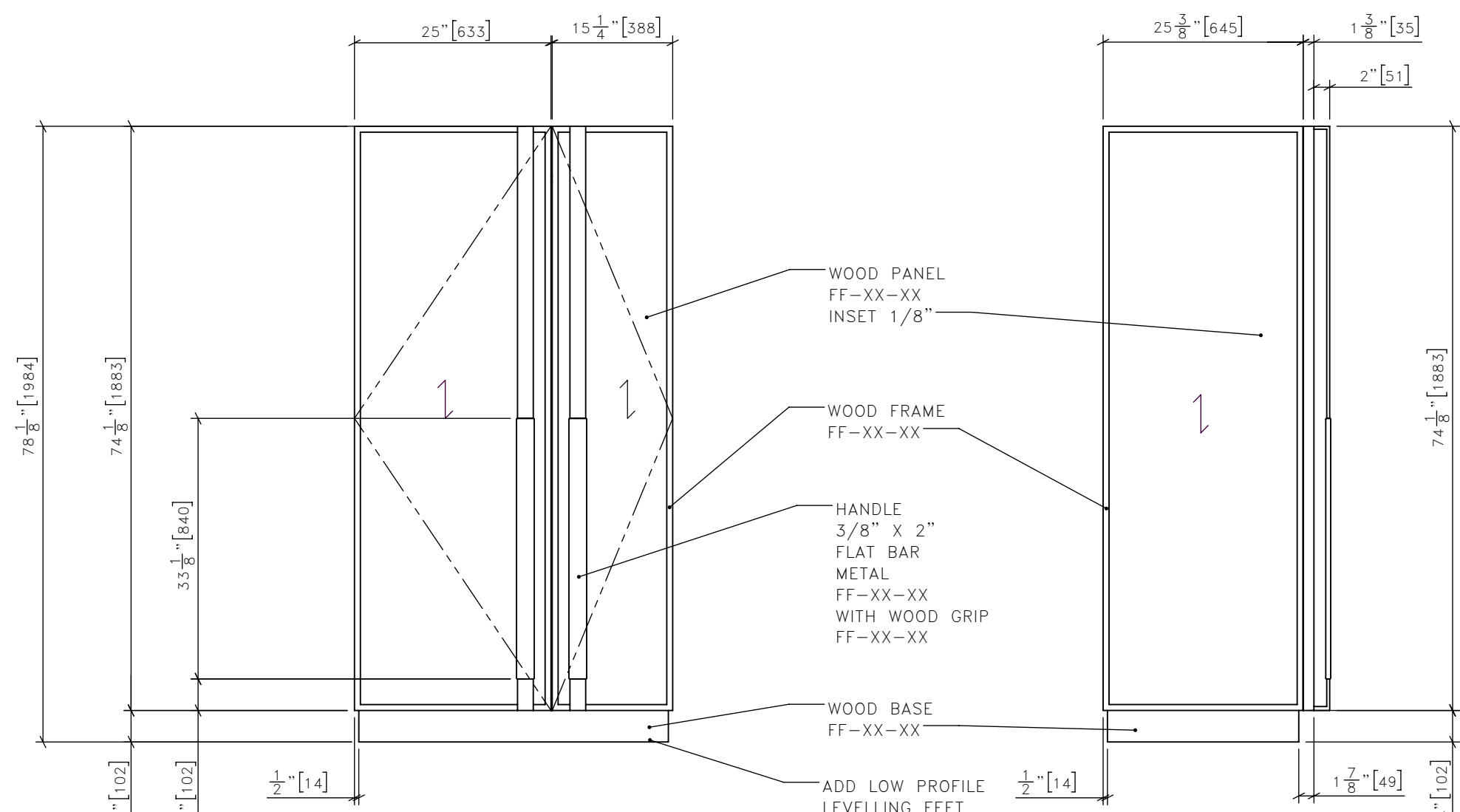


FOR DESIGN INTENT ONLY

DRAWING ARE NOT TO BE SCALED. CONTRACTOR MUST CHECK AND VERIFY ALL JOB DIMENSIONS, DRAWINGS, DETAILS AND SPECIFICATIONS; AND REPORT ANY DISCREPANCIES TO DESIGNER BEFORE PROCEEDING WITH WORK.



1 CG-XX CLOSET 1 PLAN
1:18



2 CG-XX CLOSET 1 FRONT ELEVATION
1:18

3 CG-XX CLOSET 1 SIDE ELEVATION
1:18

REV	ISSUED FOR	DATE

STUDIO MUNGE
 25 WINGOLD AVENUE
 TORONTO, ONTARIO
 M6B 1P8 CANADA
 416.588.1668
 STUDIOMUNGE.COM

SCALE AS NOTED	DATE 11/8/17
DRAWN BY EH	CHECKED BY
PROJECT NAME BRIDGEWATER HOTEL M.U.R.	
DRAWING TITLE CG-XX CLOSET 1	
PROJECT NUMBER 16129	
DRAWING NUMBER 1 / 4	

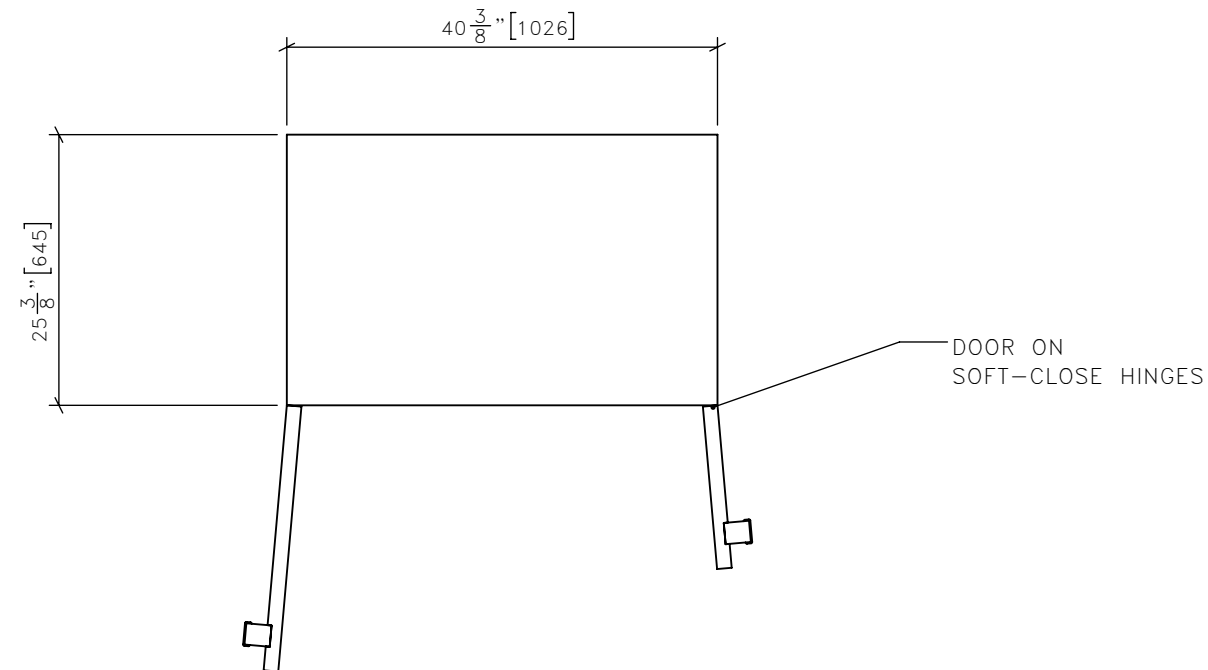
FOR DESIGN INTENT ONLY

DRAWING ARE NOT TO BE SCALED. CONTRACTOR MUST CHECK AND VERIFY ALL JOB DIMENSIONS, DRAWINGS, DETAILS AND SPECIFICATIONS; AND REPORT ANY DISCREPANCIES TO DESIGNER BEFORE PROCEEDING WITH WORK.

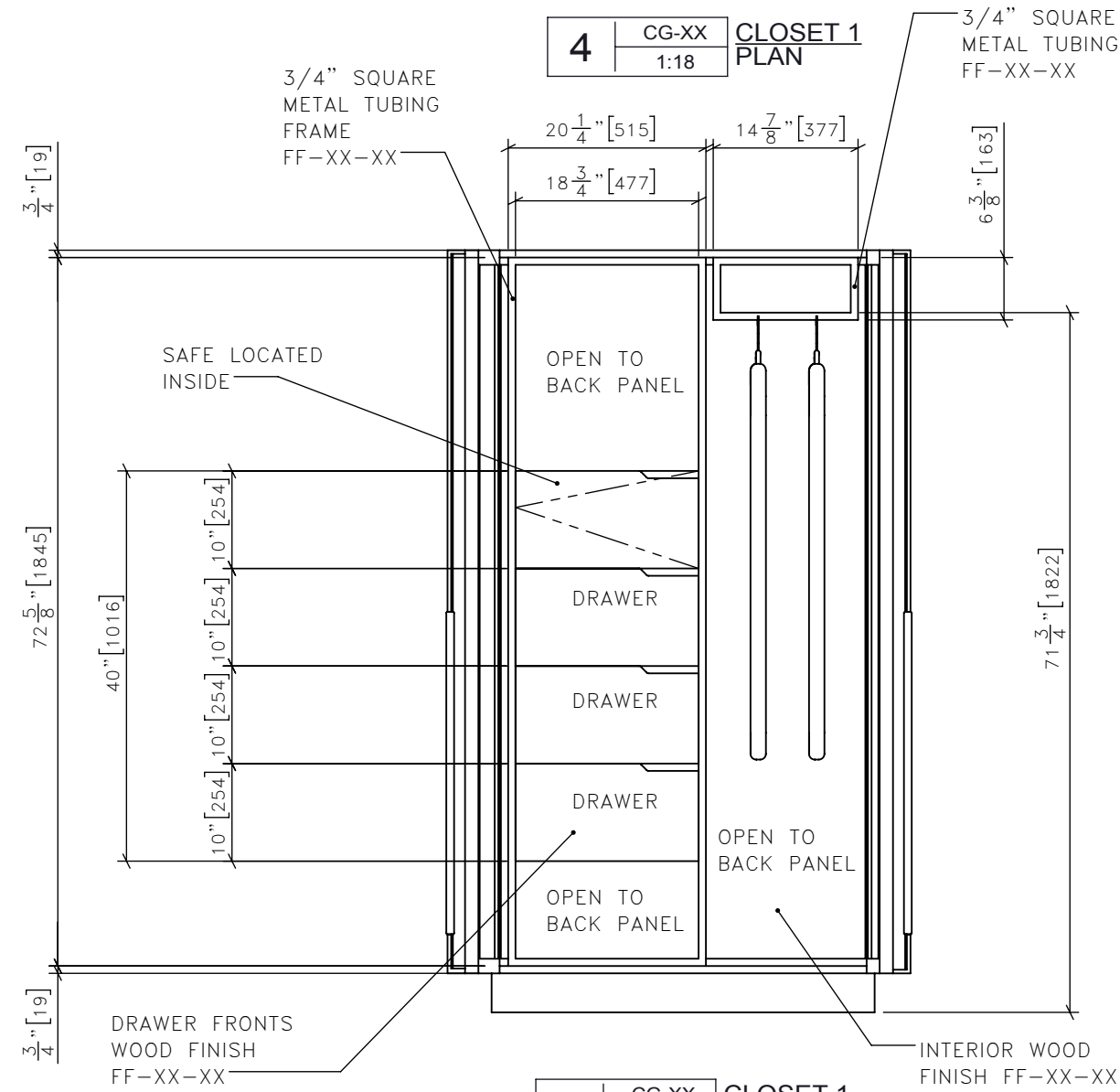
ALL DOOR ON SOFT CLOSE HINGES

ALL DRAWERS ON SOFT CLOSE UNDERMOUNT SLIDES

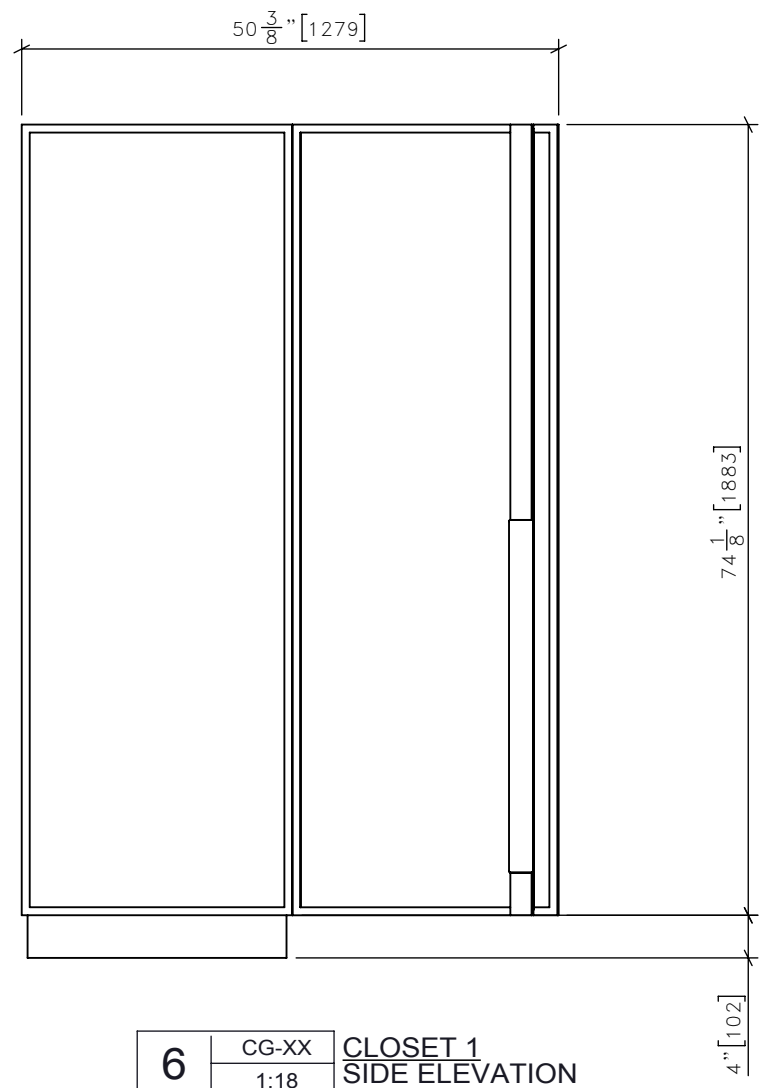
REV	ISSUED FOR	DATE



4 CG-XX CLOSET 1 PLAN
1:18



5 CG-XX CLOSET 1 FRONT ELEVATION
1:18



6 CG-XX CLOSET 1 SIDE ELEVATION
1:18

STUDIO MUNGE

25 WINGOLD AVENUE
TORONTO, ONTARIO
M6B 1P8 CANADA
416.588.1668
STUDIOMUNGE.COM

SCALE AS NOTED DATE 11/8/17

DRAWN BY EH CHECKED BY

PROJECT NAME

BRIDGEWATER HOTEL M.U.R.

DRAWING TITLE

CG-XX CLOSET 1

PROJECT NUMBER 16129

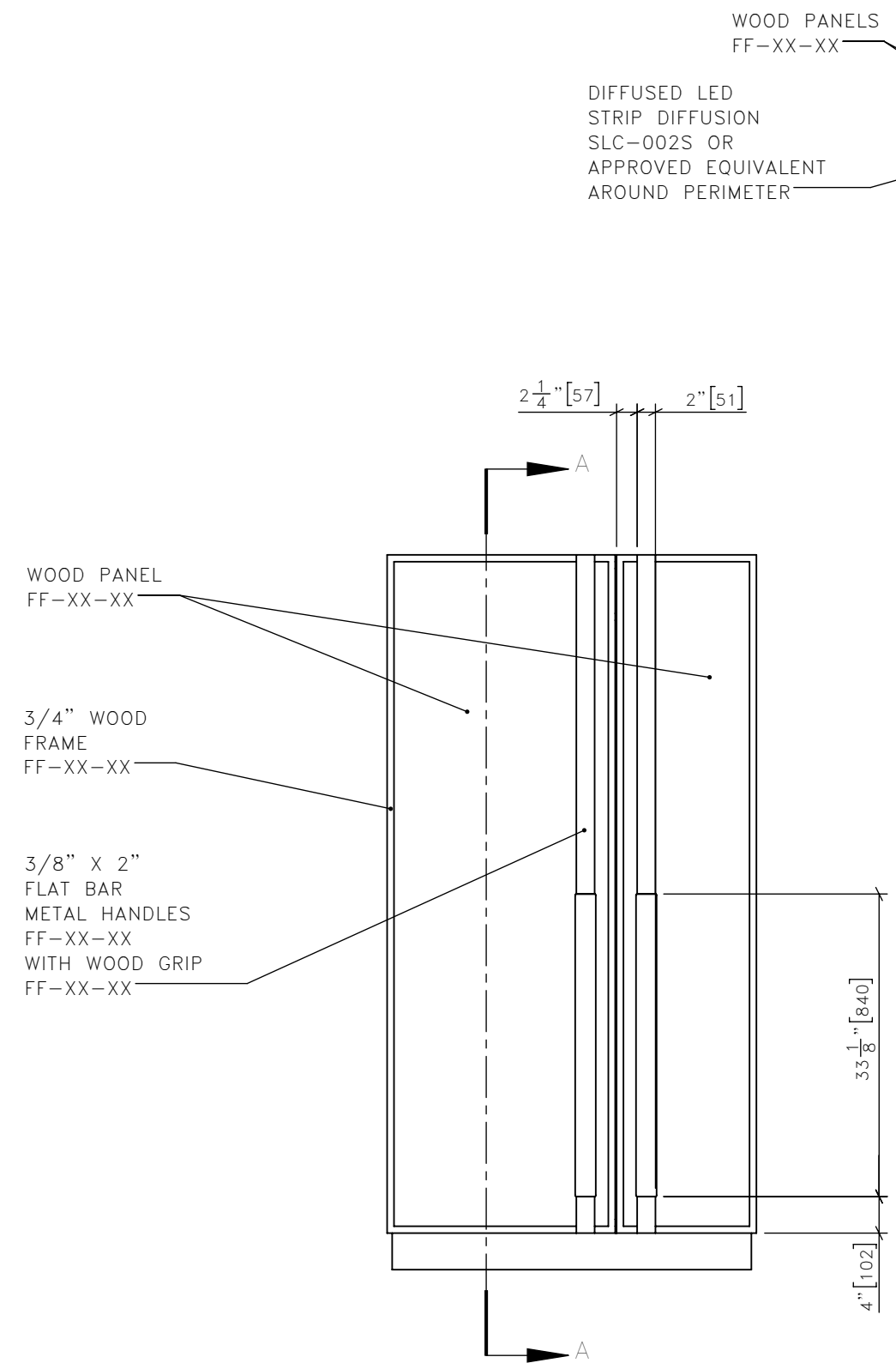
DRAWING NUMBER 2 / 4

FOR DESIGN INTENT ONLY

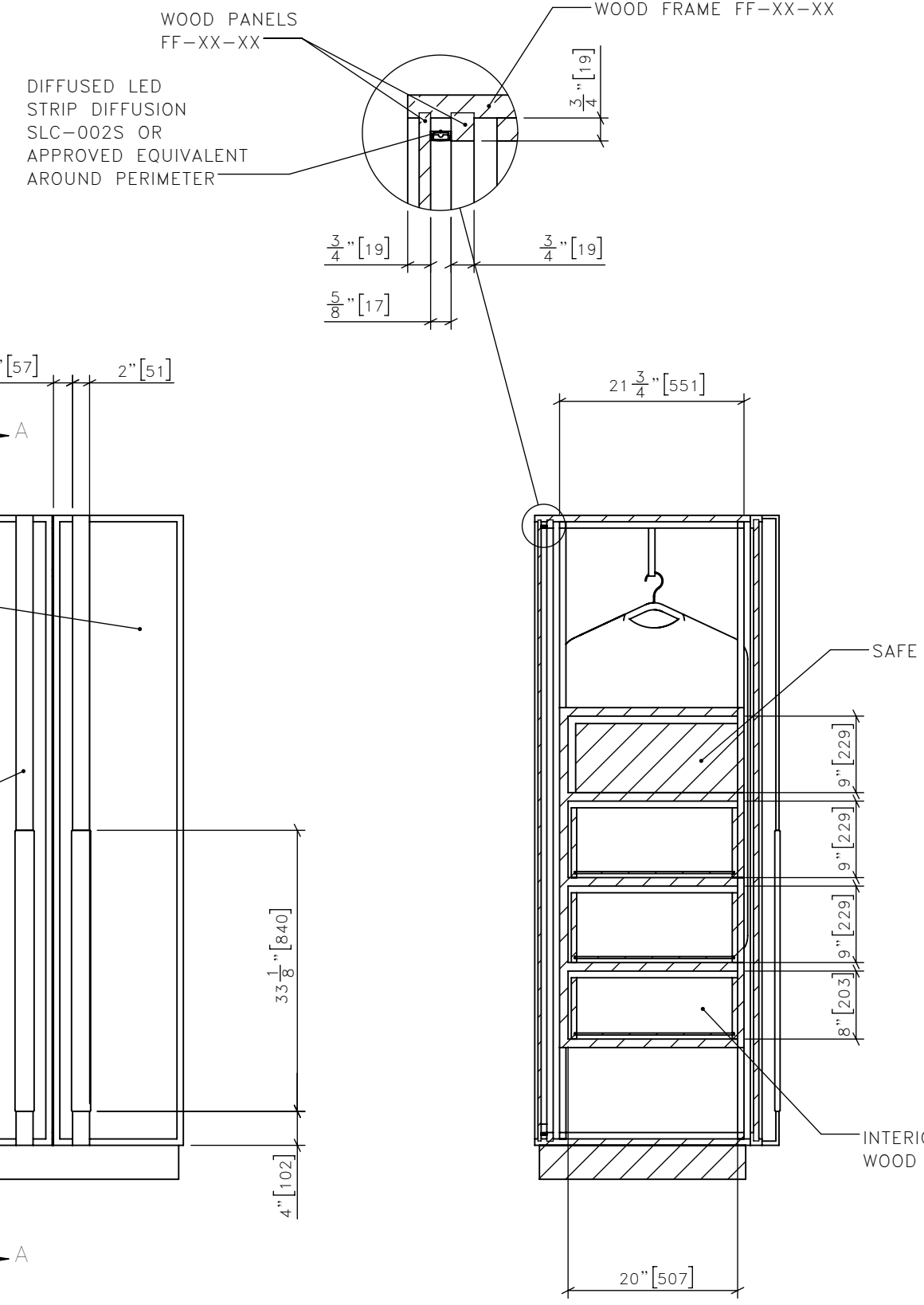
DRAWING ARE NOT TO BE SCALED. CONTRACTOR MUST CHECK AND VERIFY ALL JOB DIMENSIONS, DRAWINGS, DETAILS AND SPECIFICATIONS; AND REPORT ANY DISCREPANCIES TO DESIGNER BEFORE PROCEEDING WITH WORK.

ALL DOOR ON SOFT CLOSE HINGES
ALL DRAWERS ON SOFT CLOSE UNDERMOUNT SLIDES

REV	ISSUED FOR	DATE



7 CG-XX CLOSET 1 FRONT ELEVATION
1:18



8 CG-XX CLOSET 1 SECTION A
1:18

STUDIO MUNGE
25 WINGOLD AVENUE
TORONTO, ONTARIO
M6B 1P8 CANADA
416.588.1668
STUDIOMUNGE.COM

SCALE AS NOTED DATE 11/8/17

DRAWN BY EH CHECKED BY

PROJECT NAME

BRIDGEWATER HOTEL M.U.R.

DRAWING TITLE

CG-XX CLOSET 1

PROJECT NUMBER 16129

DRAWING NUMBER 3 / 4

STUDIO MUNGE
E
D
C
B
A
Y

FOR DESIGN INTENT ONLY

DRAWING ARE NOT TO BE SCALED. CONTRACTOR MUST CHECK AND VERIFY ALL JOB DIMENSIONS, DRAWINGS, DETAILS AND SPECIFICATIONS; AND REPORT ANY DISCREPANCIES TO DESIGNER BEFORE PROCEEDING WITH WORK.

REV	ISSUED FOR	DATE



STUDIO MUNGE
25 WINGOLD AVENUE
TORONTO, ONTARIO
M6B 1P8 CANADA
416.588.1668
STUDIOMUNGE.COM

SCALE AS NOTED	DATE 11/8/17
DRAWN BY EH	CHECKED BY
PROJECT NAME BRIDGEWATER HOTEL M.U.R.	
DRAWING TITLE CG-XX CLOSET 1	
PROJECT NUMBER 16129	
DRAWING NUMBER 4 / 4	

9 | CG-XX | CLOSET 1
NTS | | RENDERING