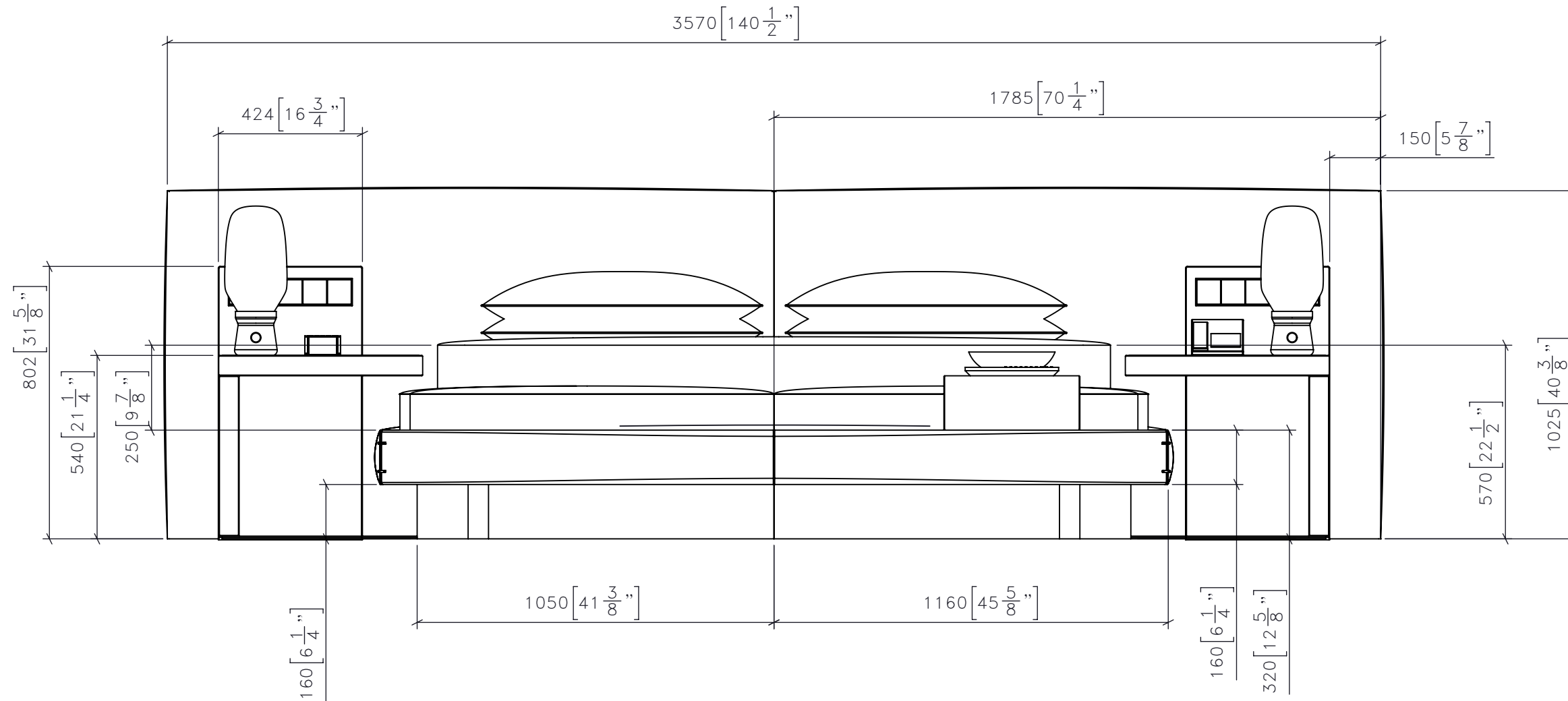


-REV/	-ISSUED FOR	-DATE



STUDIO MUNGE
 25 WINGOLD AVENUE
 TORONTO, ONTARIO
 M6B 1P8 CANADA
 416.588.1668
 STUDIOMUNGE.COM

-SCALE
AS NOTED

-DATE
10/16/17

-DRAWN BY
AM

-CHECKED BY

-PROJECT NAME
SHANGRILA NANNING

-DRAWING TITLE
CG-XX
STANDARD KING BEDFRAME

-PROJECT NUMBER
16108

-DRAWING NUMBER
1 / 8

1 | CG-XX | **STANDARD KING BED FRAME**
1:15 | FRONT ELEVATION

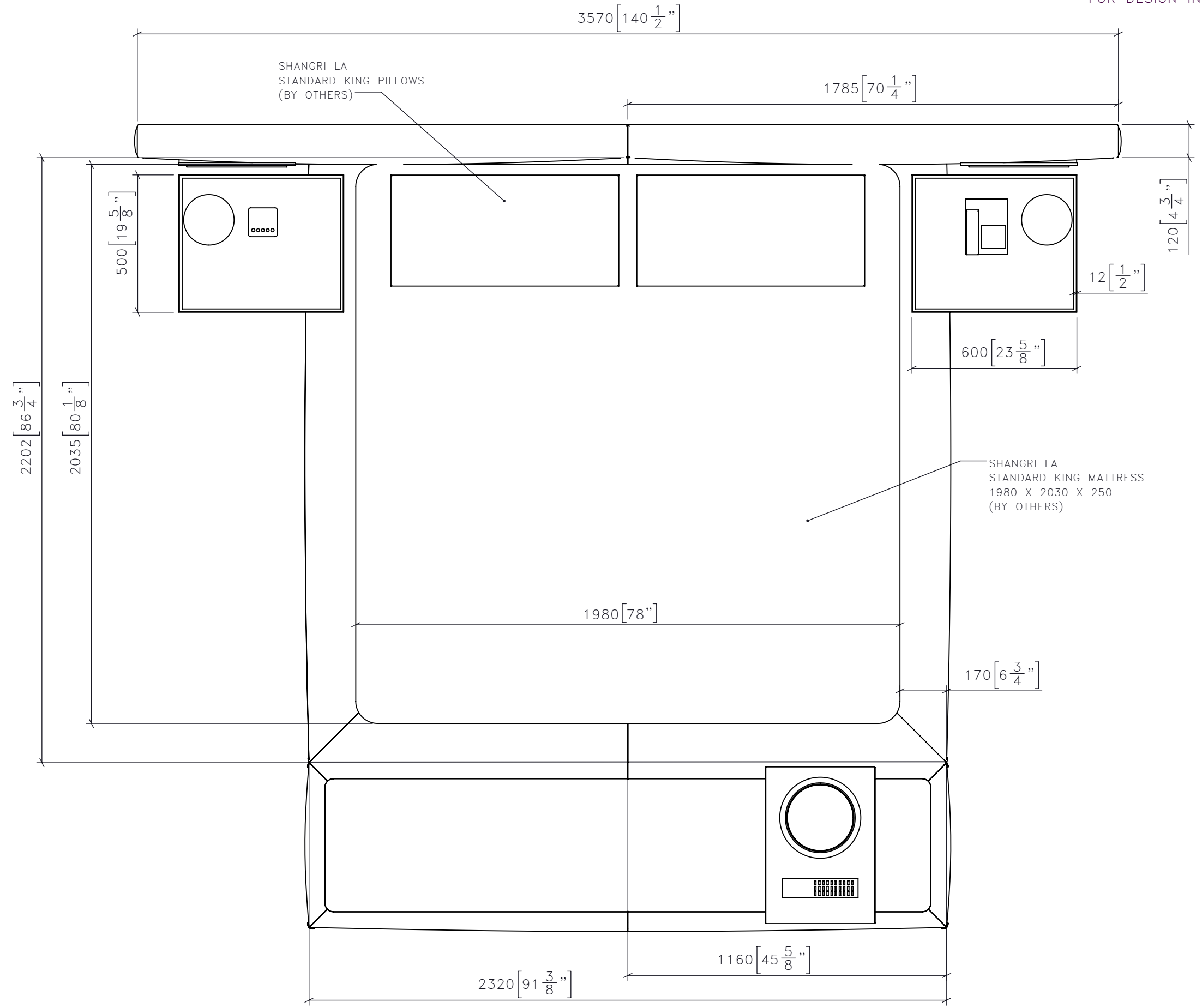
FOR DESIGN INTENT ONLY

DRAWING ARE NOT TO BE SCALED. CONTRACTOR MUST CHECK AND VERIFY ALL JOB DIMENSIONS, DRAWINGS, DETAILS AND SPECIFICATIONS; AND REPORT ANY DISCREPANCIES TO DESIGNER BEFORE PROCEEDING WITH WORK.

-REV/	-ISSUED FOR	-DATE

STUDIO MUNGE
 25 WINGOLD AVENUE
 TORONTO, ONTARIO
 M6B 1P8 CANADA
 416.588.1668
 STUDIOMUNGE.COM

-SCALE AS NOTED	-DATE 10/16/17
-DRAWN BY AM	-CHECKED BY
-PROJECT NAME SHANGRILA NANNING	
-DRAWING TITLE CG-XX STANDARD KING BEDFRAME	
-PROJECT NUMBER 16108	
-DRAWING NUMBER 2 / 8	

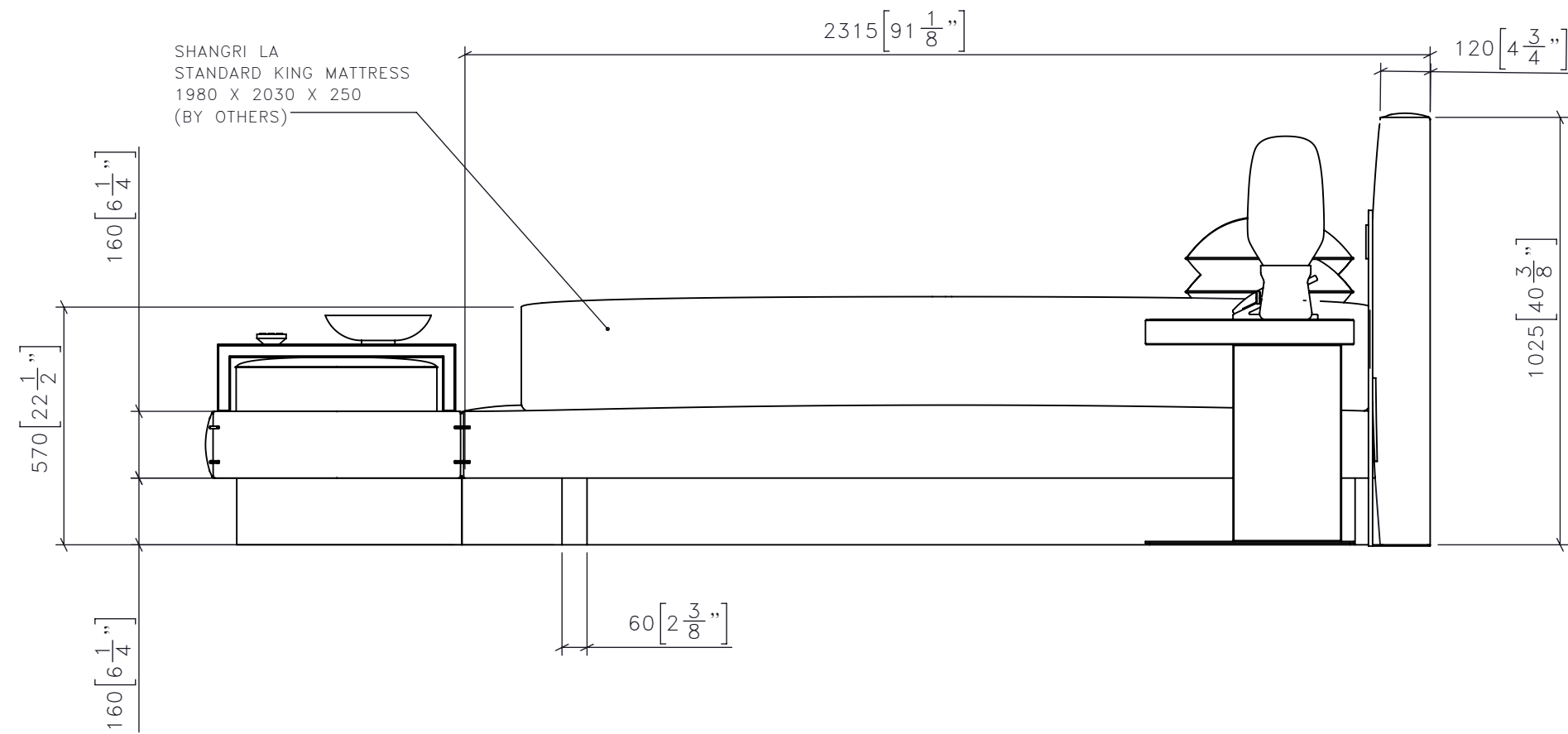


2 CG-XX STANDARD KING BED FRAME
 1:15 PLAN

FOR DESIGN INTENT ONLY

DRAWING ARE NOT TO BE SCALED. CONTRACTOR MUST CHECK AND VERIFY ALL JOB DIMENSIONS, DRAWINGS, DETAILS AND SPECIFICATIONS; AND REPORT ANY DISCREPANCIES TO DESIGNER BEFORE PROCEEDING WITH WORK.

-REV/	-ISSUED FOR	-DATE



STUDIO MUNGE
 25 WINGOLD AVENUE
 TORONTO, ONTARIO
 M6B 1P8 CANADA
 416.588.1668
 STUDIOMUNGE.COM

-SCALE
AS NOTED

-DATE
10/16/17

-DRAWN BY
AM

-CHECKED BY

-PROJECT NAME
SHANGRILA NANNING

-DRAWING TITLE
CG-XX
STANDARD KING BEDFRAME

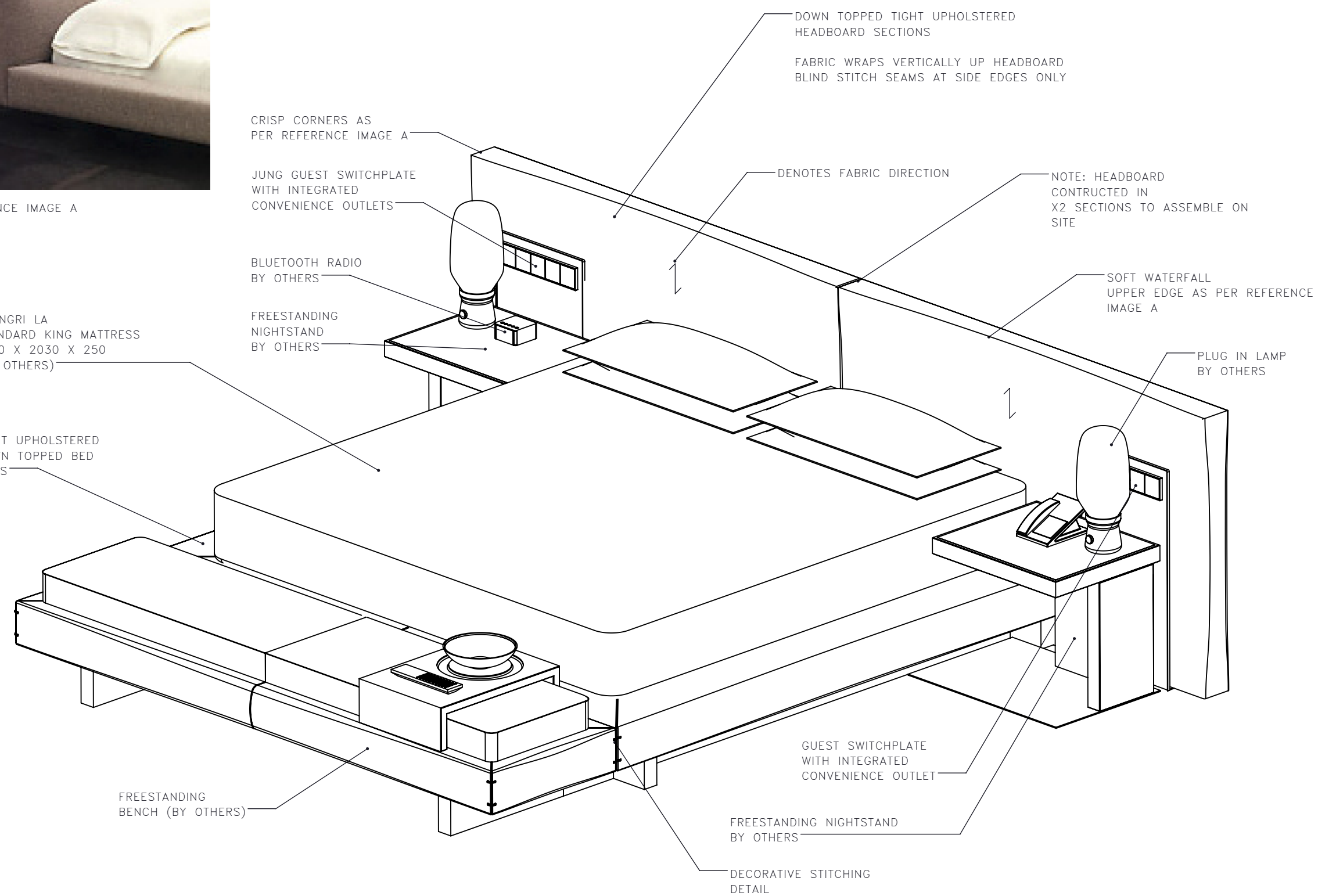
-PROJECT NUMBER
16108

-DRAWING NUMBER
3 / 8

3 CG-XX STANDARD KING BED FRAME
1:15 SIDE ELEVATION



REFERENCE IMAGE A



-REV/	-ISSUED FOR	-DATE

STUDIO MUNGE
 25 WINGOLD AVENUE
 TORONTO, ONTARIO
 M6B 1P8 CANADA
 416.588.1668
 STUDIOMUNGE.COM

-SCALE AS NOTED
 -DATE 10/16/17

-DRAWN BY AM
 -CHECKED BY

-PROJECT NAME
 SHANGRILA NANNING

-DRAWING TITLE
 CG-XX
 STANDARD KING BEDFRAME

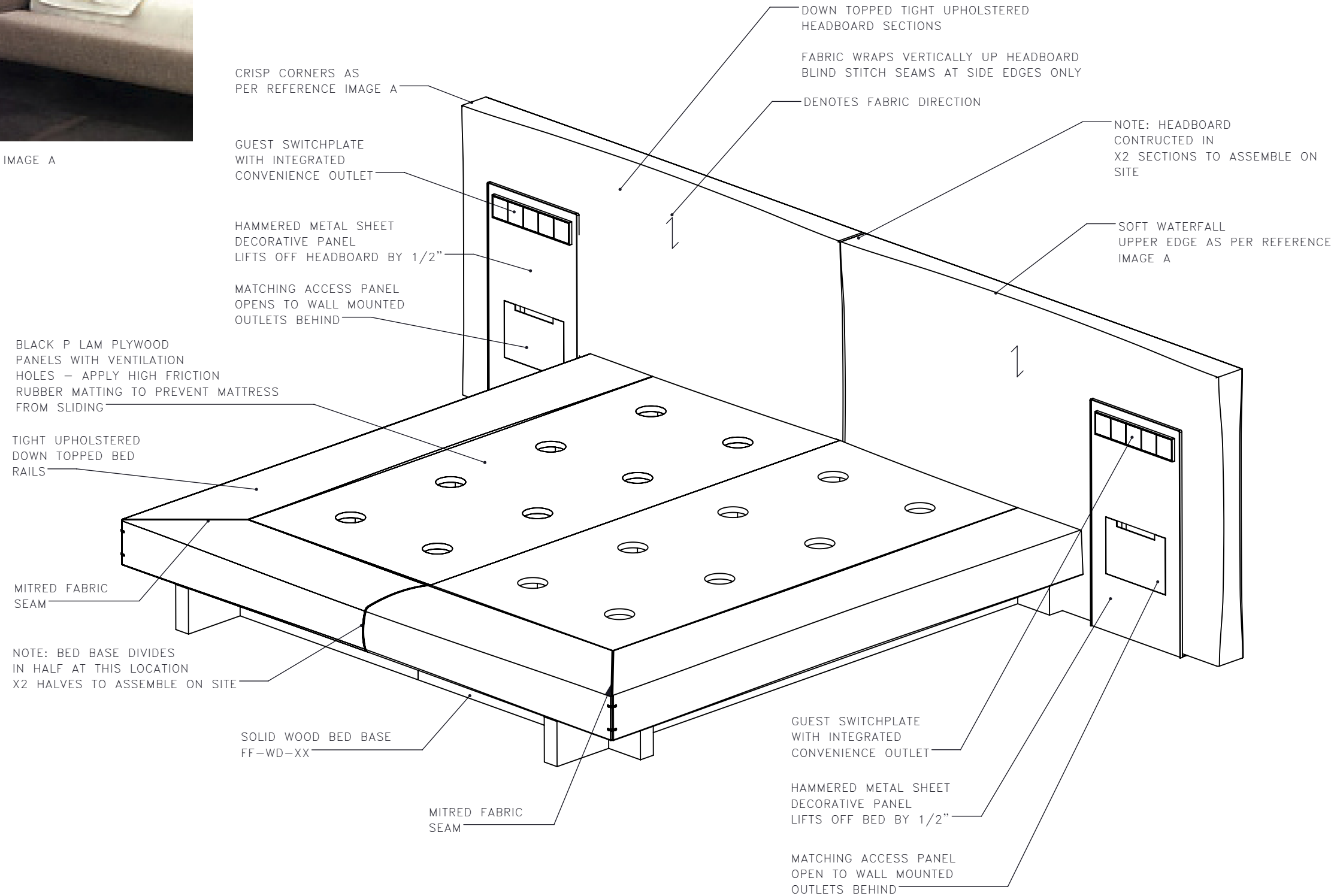
-PROJECT NUMBER
 16108

-DRAWING NUMBER
 4 / 8

4 | CG-XX | STANDARD KING BED FRAME
 1:15 | ISOMETRIC (WITH HEOS + EQUIPMENT)



REFERENCE IMAGE A



-REV/	-ISSUED FOR	-DATE

STUDIO MUNGE
 25 WINGOLD AVENUE
 TORONTO, ONTARIO
 M6B 1P8 CANADA
 416.588.1668
 STUDIOMUNGE.COM

-SCALE AS NOTED
 -DATE 10/16/17

-DRAWN BY AM
 -CHECKED BY

-PROJECT NAME
 SHANGRILA NANNING

-DRAWING TITLE
 CG-XX
 STANDARD KING BEDFRAME

-PROJECT NUMBER
 16108

-DRAWING NUMBER
 5 / 8

STUDIO MUNGE
E
D
C
B
A
Y

FOR DESIGN INTENT ONLY

DRAWING ARE NOT TO BE SCALED. CONTRACTOR MUST CHECK AND VERIFY ALL JOB DIMENSIONS, DRAWINGS, DETAILS AND SPECIFICATIONS; AND REPORT ANY DISCREPANCIES TO DESIGNER BEFORE PROCEEDING WITH WORK.

-REV/	-ISSUED FOR	-DATE



**STUDIO
MUNGE**
25 WINGOLD AVENUE
TORONTO, ONTARIO
M6B 1P8 CANADA
416.588.1668
STUDIOMUNGE.COM

-SCALE
AS NOTED

-DATE
10/16/17

-DRAWN BY
AM

-CHECKED BY

-PROJECT NAME

SHANGRILA NANNING

-DRAWING TITLE

CG-XX
STANDARD KING BEDFRAME

-PROJECT NUMBER
16108

-DRAWING NUMBER
6 / 8

6 | CG-XX | STANDARD KING BED FRAME
NTS | RENDERED VIEW

STUDIO MUNGE
Y
M
D
C
B
A
Y

FOR DESIGN INTENT ONLY

DRAWING ARE NOT TO BE SCALED. CONTRACTOR MUST CHECK AND VERIFY ALL JOB DIMENSIONS, DRAWINGS, DETAILS AND SPECIFICATIONS; AND REPORT ANY DISCREPANCIES TO DESIGNER BEFORE PROCEEDING WITH WORK.

-REV/	-ISSUED FOR	-DATE



**STUDIO
MUNGE** 25 WINGOLD AVENUE
TORONTO, ONTARIO
M6B 1P8 CANADA
416.588.1668
STUDIOMUNGE.COM

-SCALE AS NOTED **-DATE** 10/16/17

-DRAWN BY AM **-CHECKED BY**

-PROJECT NAME
SHANGRILA NANNING

-DRAWING TITLE
CG-XX
STANDARD KING BEDFRAME

-PROJECT NUMBER
16108

-DRAWING NUMBER
7 / 8

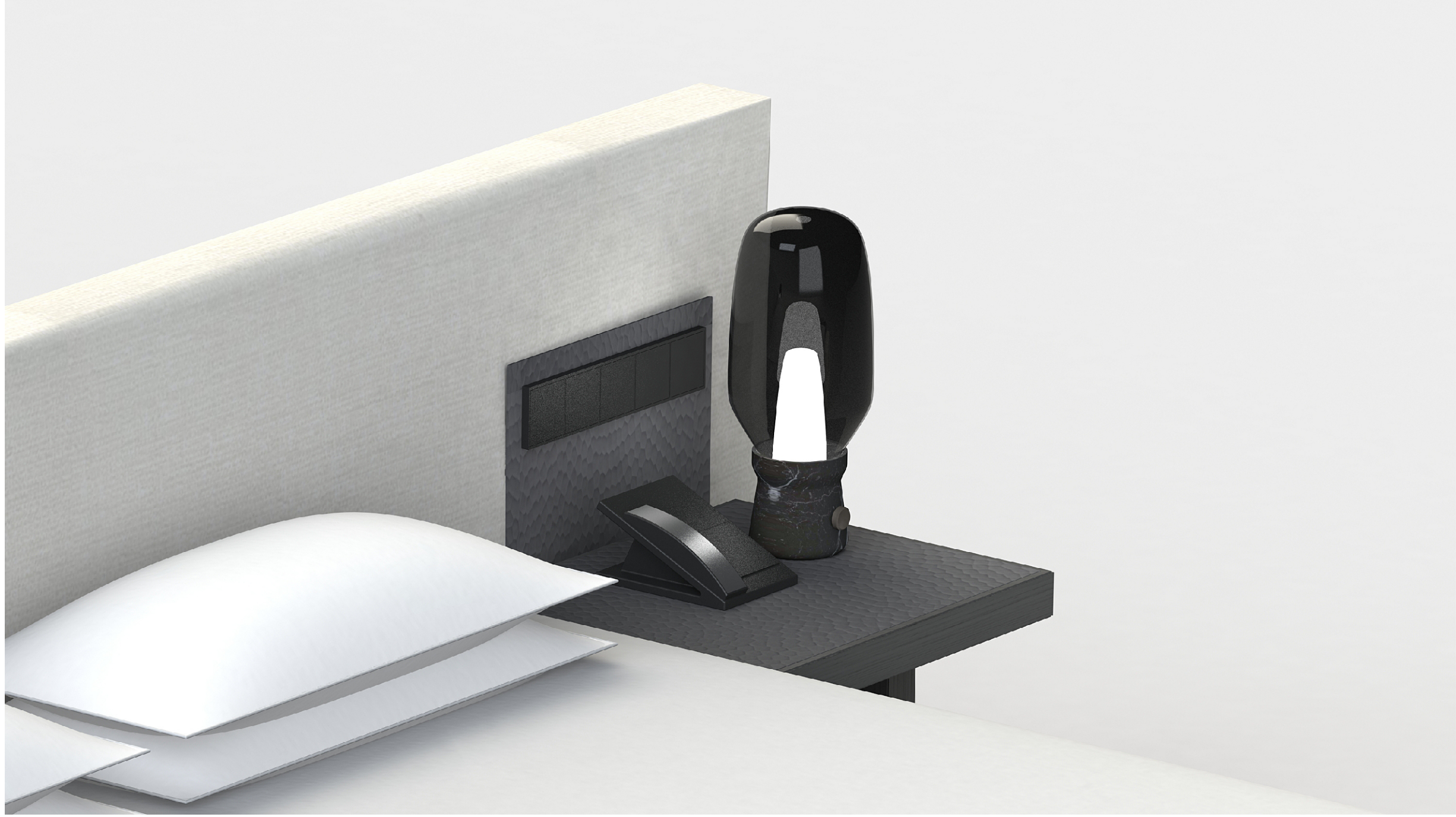
7 | CG-XX | STANDARD KING BED FRAME
NTS | RENDERED VIEW

STUDIO MUNGE
E
D
C
B
A
Y

FOR DESIGN INTENT ONLY

DRAWING ARE NOT TO BE SCALED. CONTRACTOR MUST CHECK AND VERIFY ALL JOB DIMENSIONS, DRAWINGS, DETAILS AND SPECIFICATIONS; AND REPORT ANY DISCREPANCIES TO DESIGNER BEFORE PROCEEDING WITH WORK.

-REV/	-ISSUED FOR	-DATE



STUDIO MUNGE
25 WINGOLD AVENUE
TORONTO, ONTARIO
M6B 1P8 CANADA
416.588.1668
STUDIOMUNGE.COM

-SCALE
AS NOTED

-DATE
10/16/17

-DRAWN BY
AM

-CHECKED BY

-PROJECT NAME

SHANGRILA NANNING

-DRAWING TITLE

CG-XX
STANDARD KING BEDFRAME

-PROJECT NUMBER
16108

-DRAWING NUMBER
8 / 8

8 | CG-XX | STANDARD KING BED FRAME
NTS | RENDERED VIEW