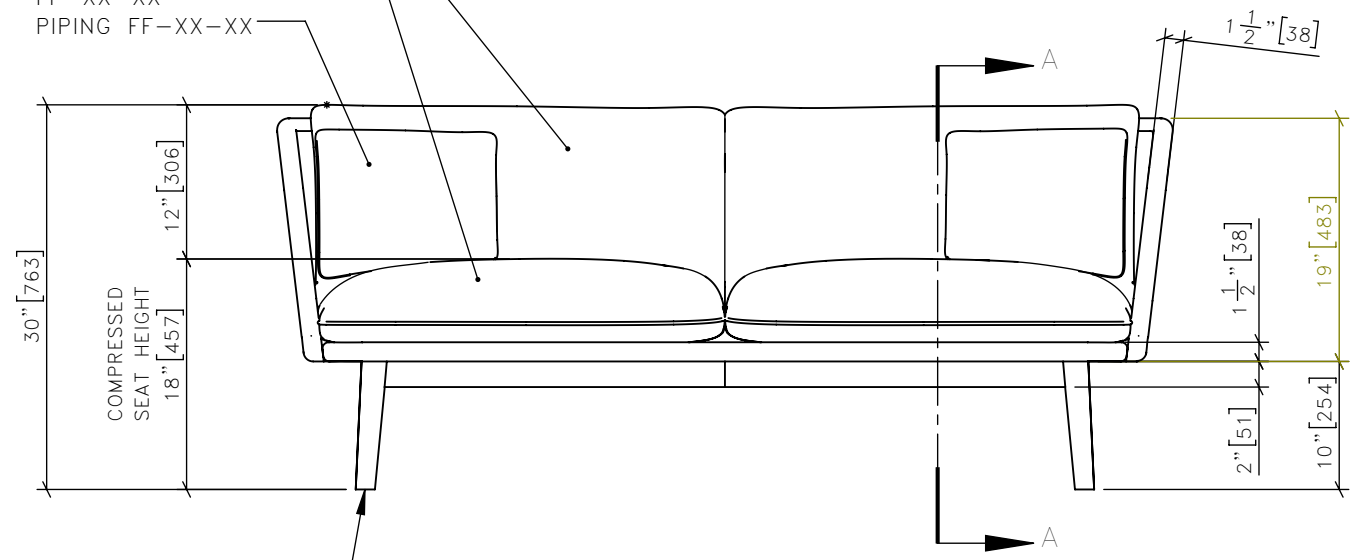


**1** | SG-06 | **SMALL BANQUETTE PLAN**  
1:15

**3** | SG-06 | **SMALL BANQUETTE SECTION A**  
1:15

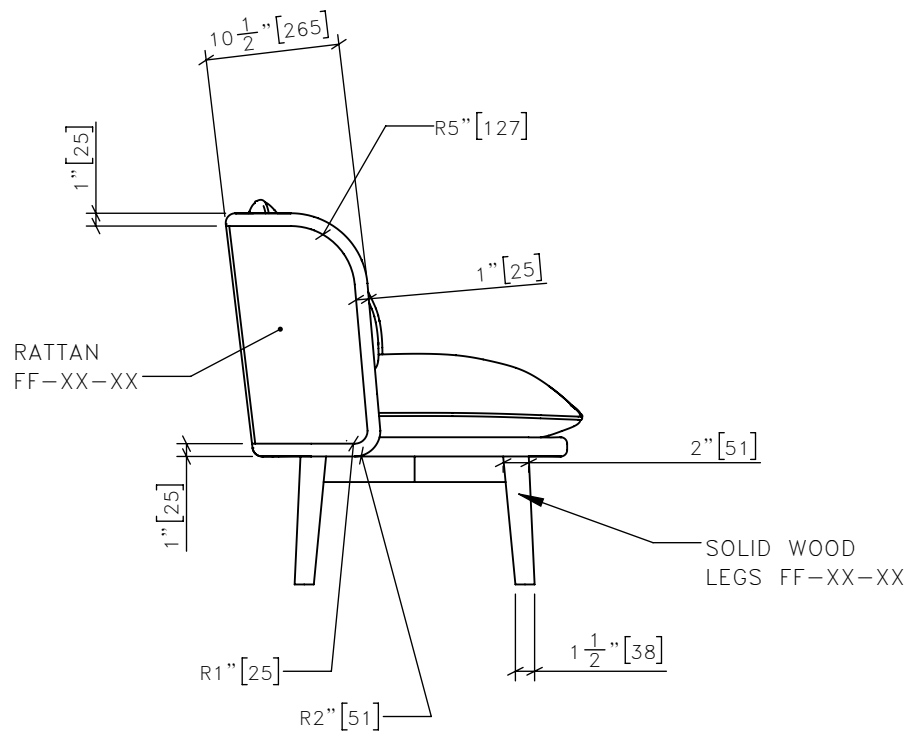
BACK AND SEAT CUSHIONS FF-XX-XX  
PIPING FF-XX-XX  
SECURED WITH CLIPS

11" CUSHIONS FF-XX-XX  
PIPING FF-XX-XX



ADD LOW PROFILE LEVELLING FEET AS REQUIRED

**2** | SG-06 | **SMALL BANQUETTE FRONT ELEVATION**  
1:15



**4** | SG-06 | **SMALL BANQUETTE SIDE ELEVATION**  
1:15

SOLID WOOD LEGS FF-XX-XX

FOR DESIGN INTENT ONLY

DRAWING ARE NOT TO BE SCALED. CONTRACTOR MUST CHECK AND VERIFY ALL JOB DIMENSIONS, DRAWINGS, DETAILS AND SPECIFICATIONS, AND REPORT ANY DISCREPANCIES TO DESIGNER BEFORE PROCEEDING WITH WORK.

REV	ISSUED FOR	DATE

**STUDIO MUNGE**  
25 WINGOLD AVENUE  
TORONTO, ONTARIO  
M6B 1P8 CANADA  
416.588.1668  
STUDIOMUNGE.COM

**SCALE** AS NOTED  
**DATE** 9/21/17

**DRAWN BY** EH  
**CHECKED BY**

**PROJECT NAME**

PARK HYATT L.A. RESTAURANT

**DRAWING TITLE**

SG-06  
SMALL BANQUETTE

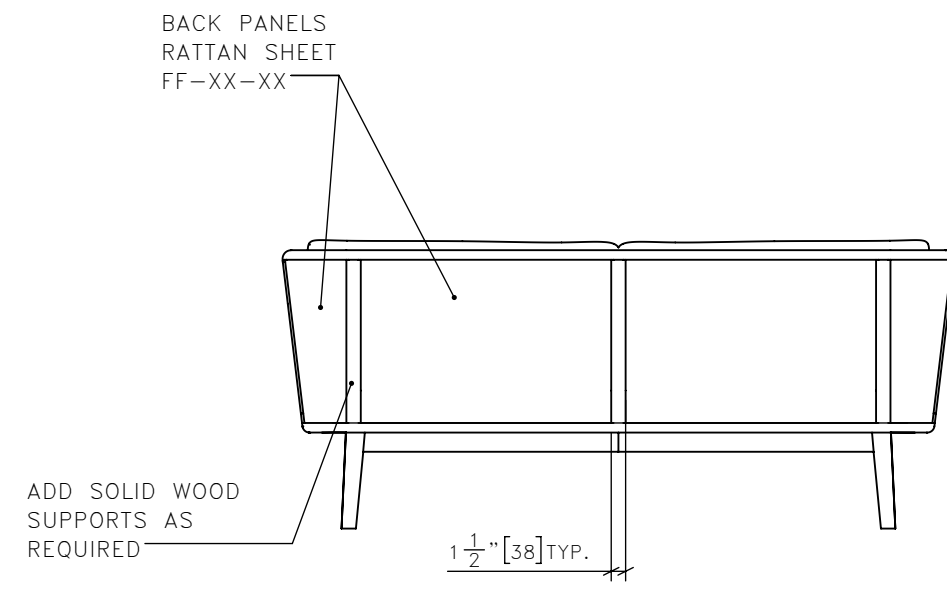
**PROJECT NUMBER** 14138

**DRAWING NUMBER** 1 / 3

STUDIO MUNGE  
Y  
E  
M  
D  
C  
B  
A  
Y

FOR DESIGN INTENT ONLY

DRAWING ARE NOT TO BE SCALED. CONTRACTOR MUST CHECK AND VERIFY ALL JOB DIMENSIONS, DRAWINGS, DETAILS AND SPECIFICATIONS; AND REPORT ANY DISCREPANCIES TO DESIGNER BEFORE PROCEEDING WITH WORK.



<b>5</b>	SG-06	<b>SMALL BANQUETTE BACK ELEVATION</b>
	1:15	

REV.	ISSUED FOR	DATE

**STUDIO MUNGE**  
25 WINGOLD AVENUE  
TORONTO, ONTARIO  
M6B 1P8 CANADA  
416.588.1668  
STUDIOMUNGE.COM

<b>-SCALE</b> AS NOTED	<b>-DATE</b> 9/21/17
<b>-DRAWN BY</b> EH	<b>-CHECKED BY</b> 
<b>-PROJECT NAME</b>  PARK HYATT L.A. RESTAURANT	
<b>-DRAWING TITLE</b>  SG-06 SMALL BANQUETTE	
<b>-PROJECT NUMBER</b> 14138	
<b>-DRAWING NUMBER</b> 2 / 3	

STUDIO MUNGE  
Y  
E  
M  
D  
C  
B  
A  
Y

FOR DESIGN INTENT ONLY

DRAWING ARE NOT TO BE SCALED. CONTRACTOR MUST CHECK AND VERIFY ALL JOB DIMENSIONS, DRAWINGS, DETAILS AND SPECIFICATIONS; AND REPORT ANY DISCREPANCIES TO DESIGNER BEFORE PROCEEDING WITH WORK.

REV.	ISSUED FOR	DATE



**STUDIO MUNGE**  
25 WINGOLD AVENUE  
TORONTO, ONTARIO  
M6B 1P8 CANADA  
416.588.1668  
STUDIOMUNGE.COM

**SCALE**  
AS NOTED

**DATE**  
9/21/17

**DRAWN BY**  
EH

**CHECKED BY**

**PROJECT NAME**  
  
PARK HYATT L.A. RESTAURANT

**DRAWING TITLE**  
  
SG-06  
SMALL BANQUETTE

**PROJECT NUMBER**  
14138

**DRAWING NUMBER**  
3 / 3

6	SG-06	SMALL BANQUETTE PERSPECTIVE
	NTS	