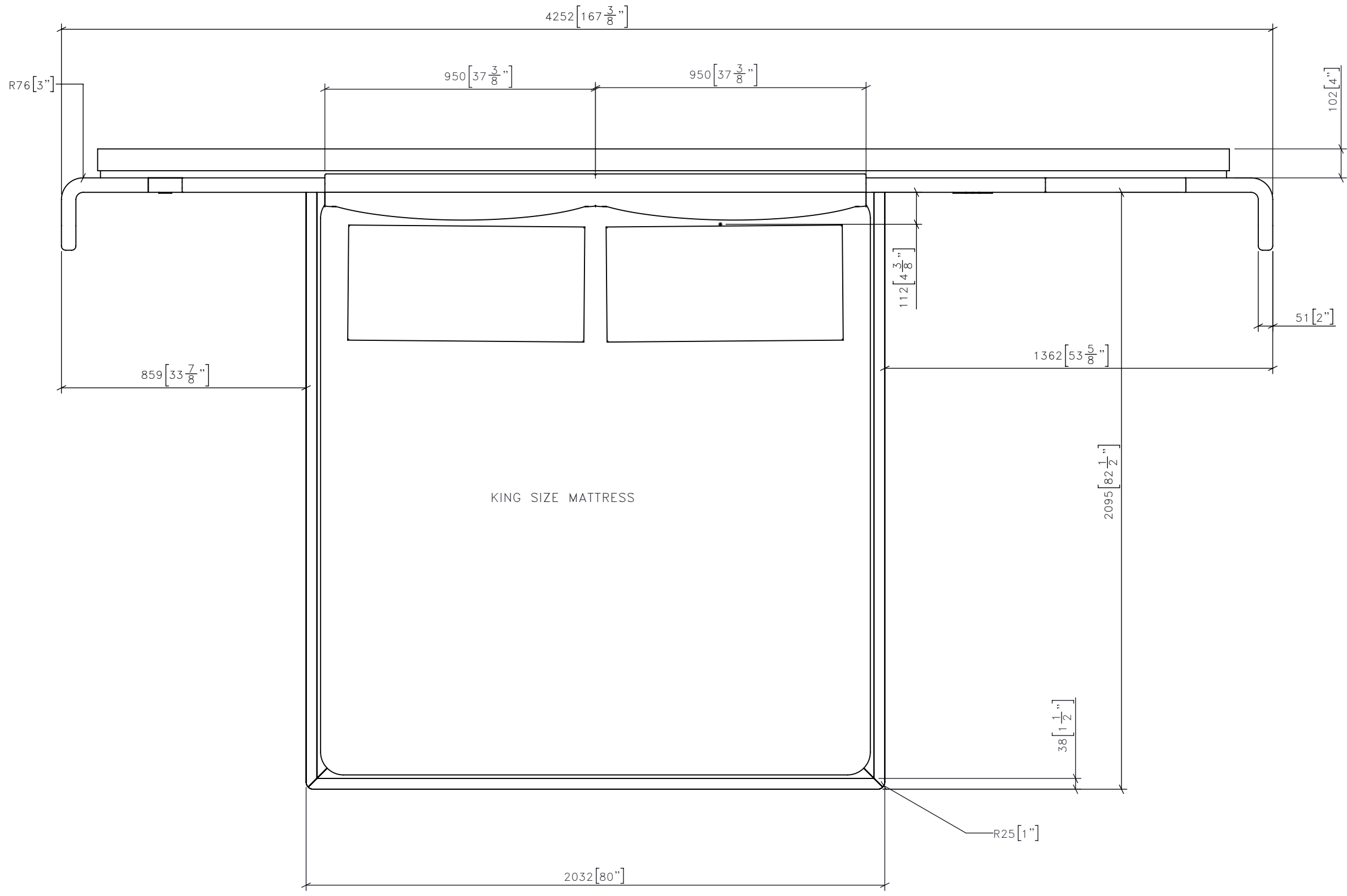


STUDIO MUNGE
X
Y
A
B
C
D
E
F
X
Y

FOR DESIGN INTENT ONLY

DRAWING ARE NOT TO BE SCALED. CONTRACTOR MUST CHECK AND VERIFY ALL JOB DIMENSIONS, DRAWINGS, DETAILS AND SPECIFICATIONS; AND REPORT ANY DISCREPANCIES TO DESIGNER BEFORE PROCEEDING WITH WORK.

REV	ISSUED FOR	DATE



STUDIO MUNGE
25 WINGOLD AVENUE
TORONTO, ONTARIO
M6B 1P8 CANADA
416.588.1668
STUDIOMUNGE.COM

-SCALE
AS NOTED

-DATE
11/8/17

-DRAWN BY
EP

-CHECKED BY

-PROJECT NAME
BRIDGEWATER HOTEL M.U.R.

-DRAWING TITLE
CG-XXX
KING BED FRAME

-PROJECT NUMBER
16129

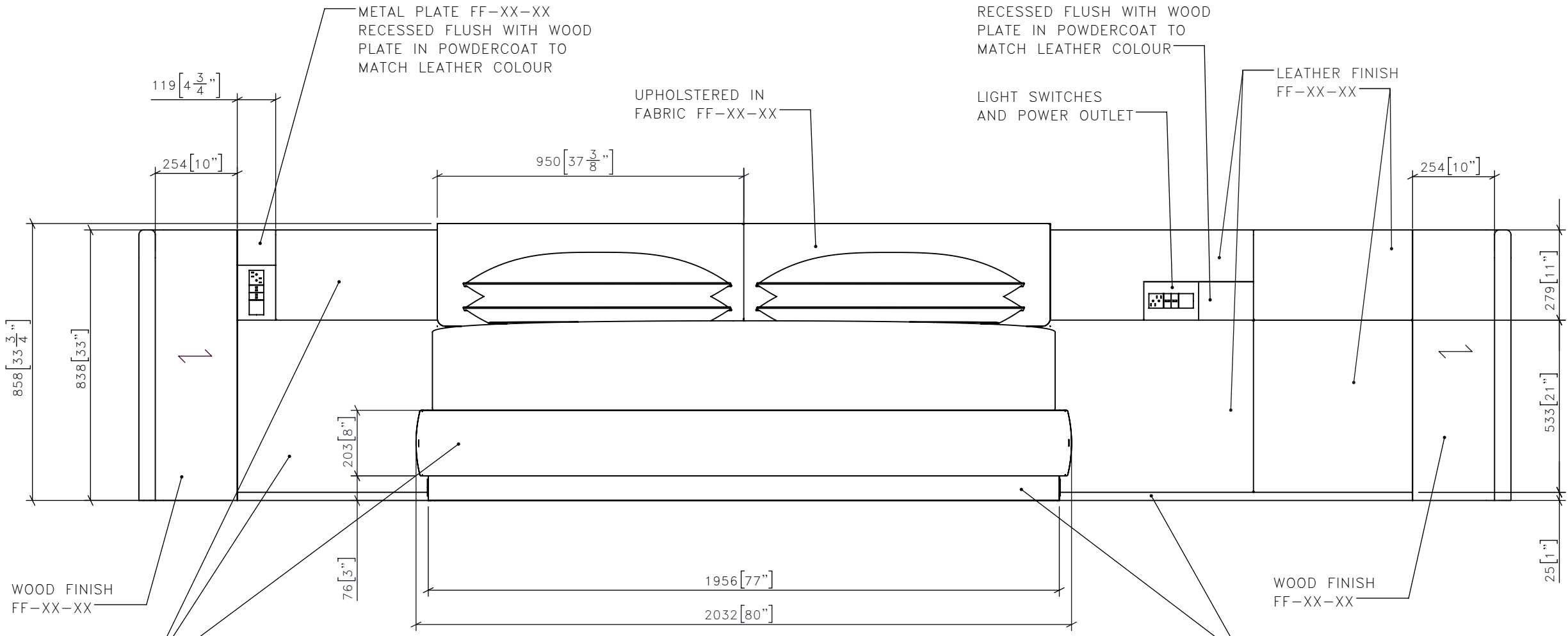
-DRAWING NUMBER
1 / 3

1 CG-XX KING SIZE BED PLAN
1:15

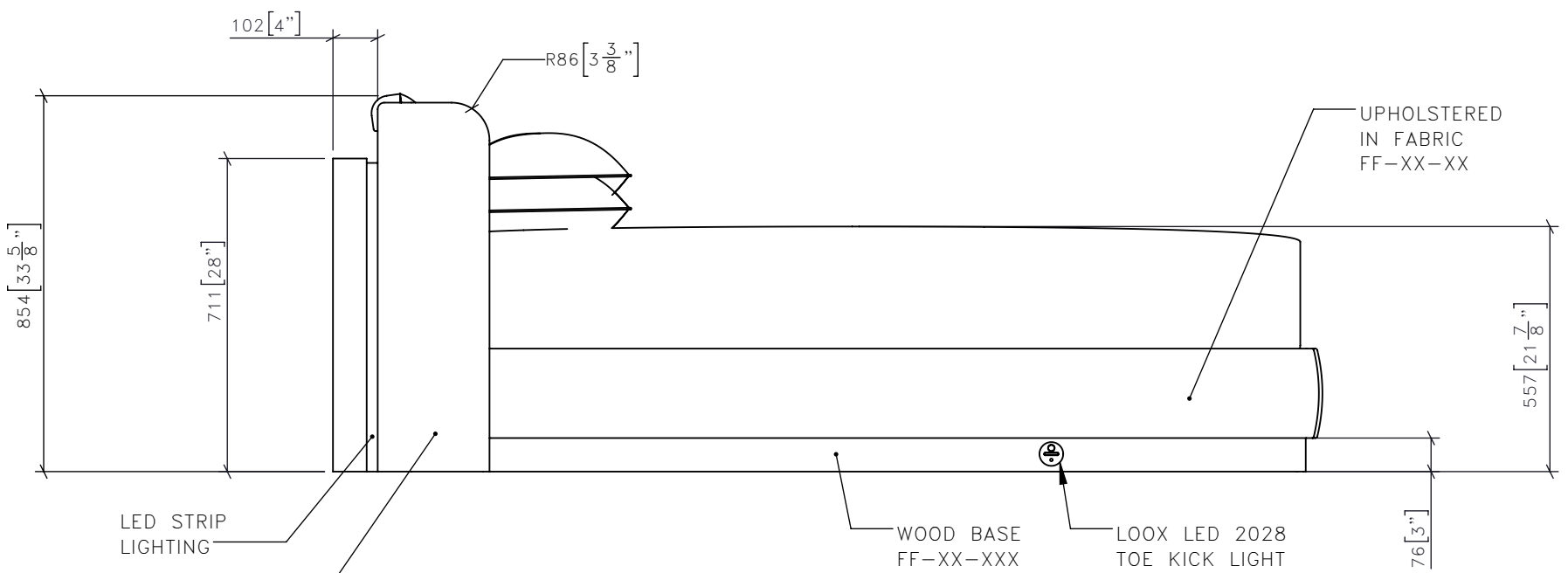
DRAWING ARE NOT TO BE SCALED. CONTRACTOR MUST CHECK AND VERIFY ALL JOB DIMENSIONS, DRAWINGS, DETAILS AND SPECIFICATIONS; AND REPORT ANY DISCREPANCIES TO DESIGNER BEFORE PROCEEDING WITH WORK.

FOR DESIGN INTENT ONLY

REV	ISSUED FOR	DATE



2 | CG-XX | KING SIZE BED FRONT ELEVATION
1:15



3 | CG-XX | KING SIZE BED SIDE ELEVATION
1:15

STUDIO MUNGE
 25 WINGOLD AVENUE
 TORONTO, ONTARIO
 M6B 1P8 CANADA
 416.588.1668
 STUDIOMUNGE.COM

-SCALE AS NOTED
-DATE 11/8/17

-DRAWN BY EP
-CHECKED BY

-PROJECT NAME

BRIDGEWATER HOTEL M.U.R.

-DRAWING TITLE

CG-XXX
 KING BED FRAME

-PROJECT NUMBER 16129

-DRAWING NUMBER 2 / 3

FOR DESIGN INTENT ONLY

DRAWING ARE NOT TO BE SCALED. CONTRACTOR MUST CHECK AND VERIFY ALL JOB DIMENSIONS, DRAWINGS, DETAILS AND SPECIFICATIONS; AND REPORT ANY DISCREPANCIES TO DESIGNER BEFORE PROCEEDING WITH WORK.

REV	ISSUED FOR	DATE



STUDIO MUNGE
 25 WINGOLD AVENUE
 TORONTO, ONTARIO
 M6B 1P8 CANADA
 416.588.1668
 STUDIOMUNGE.COM

SCALE AS NOTED
DATE 11/8/17

DRAWN BY EP
CHECKED BY

PROJECT NAME
 BRIDGEWATER HOTEL M.U.R.

DRAWING TITLE
 CG-XXX
 KING BED FRAME

PROJECT NUMBER
 16129

DRAWING NUMBER
 3 / 3